

BR-OV... Bracket / Coupling Kits

Product Description

A BR-OV... bracket / coupling kit reliably mounts a Siemens SQM... actuator to a common Hauck oil valve.

Features

- BR-OV... kits available for Hauck S, AS, B, F, G, H, or K oil valves
- Robust bracket and coupling design engineered for precise shaft alignment
- Easy installation with readily available tools

Product Part Numbers

Table 1: Available BR-OV... Bracket / Coupling Kit Part Numbers

	SQM33... SQM40.xx5xxxx SQM45.xx5...	SQM48.497B9 SQM48.697B9	SQM48.497B9-N4 SQM48.697B9-N4	SQM5x.xx4xxxx	SQM5x.xx7xxxx
Hauck S Valve	BR-OV-S-5-1	BR-OV-S-7-1	BR-OV-S-7-1	BR-OV-S-4-1	BR-OV-S-7-2
Hauck AS Valve	BR-OV-A-5-1	BR-OV-A-7-1	Not available	BR-OV-A-4-1	Not available
Hauck B/F/G/H/K Valve	Not available	BR-OV-B-7-1	BR-OV-B-7-1	BR-OV-B-4-1	BR-OV-B-7-2

Components

BR-OV-S... Bracket / Coupling Kits

Figure 1 shows the components supplied with a BR-OV-S... bracket / coupling kit:

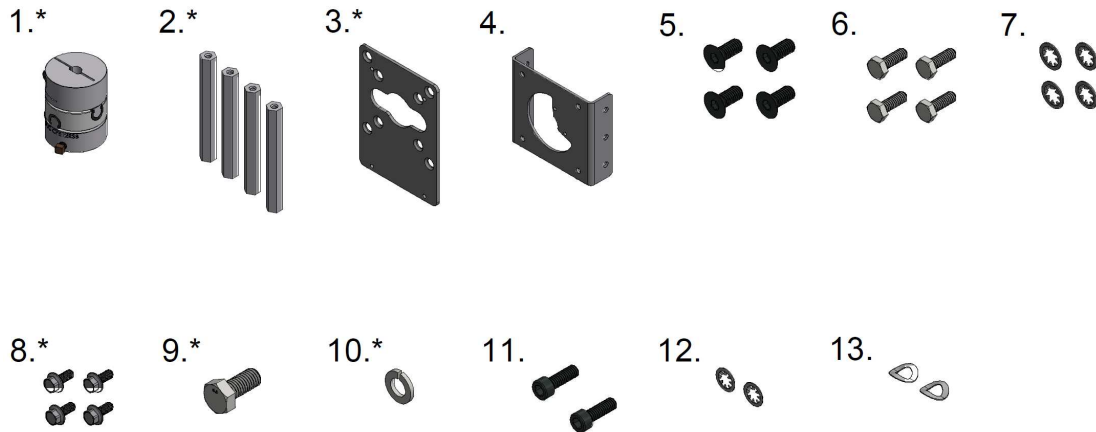


Figure 1: Components Supplied with a BR-OV-S... Bracket / Coupling Kit

- | | |
|---|---|
| 1. Coupling | 8. (2) or (4) M5 x 12mm thread-forming screws |
| 2. (4) hex standoffs | 9. M8 x 18mm hex head cap screw (BR-OV-S-4-1 or BR-OV-S-7-2 for SQM5... only) |
| 3. Actuator mounting bracket | 10. M8 split lock washer (BR-OV-S-4-1 or BR-OV-S-7-2 for SQM5... only) |
| 4. Valve mounting bracket | 11. (2) #8-32 x 1/2" socket head cap screws |
| 5. (4) 1/4"-20 x 3/4" flat socket head cap screws | 12. (2) #8 internal tooth lock washers |
| 6. (4) 1/4"-20 x 3/4" hex head cap screws | 13. (2) #8 wave washers |
| 7. (4) 1/4" internal tooth lock washers | |

* Component varies depending on the BR-OV-S... bracket / coupling kit. Image shown in Figure 1 may not be representative of actual component.

Components (continued)

BR-OV-A... Bracket / Coupling Kits

Figure 2 shows the components supplied with a BR-OV-A... bracket / coupling kit:

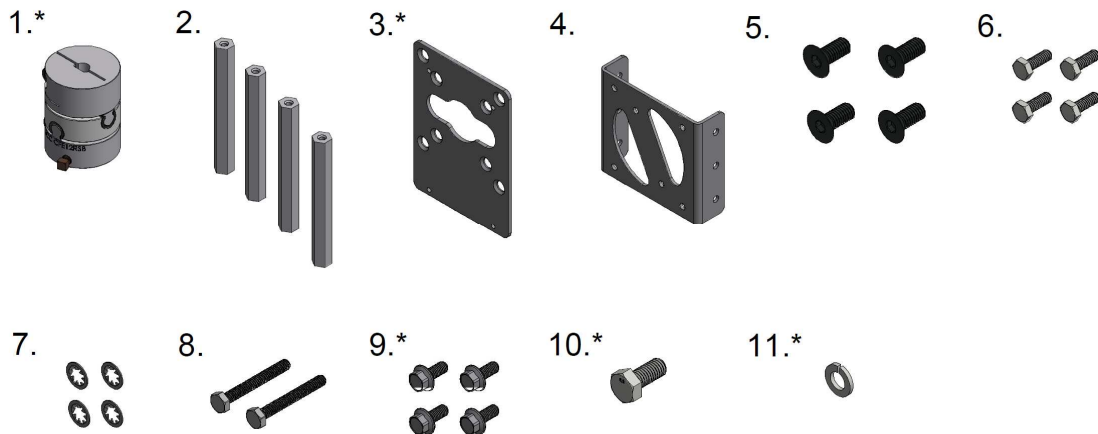


Figure 2: Components Supplied with a BR-OV-A... Bracket / Coupling Kit

- | | |
|---|---|
| 1. Coupling | 7. (4) 1/4" internal tooth lock washers |
| 2. (4) hex standoffs | 8. (2) 1/4"-20 x 2" hex head cap screws |
| 3. Actuator mounting bracket | 9. (2) or (4) M5 x 12mm thread-forming screws |
| 4. Valve mounting bracket | 10. M8 x 18mm hex head cap screw (BR-OV-A-4-1 for SQM5... only) |
| 5. (4) 1/4"-20 x 3/4" flat socket head cap screws | 11. M8 split lock washer (BR-OV-A-4-1 for SQM5... only) |
| 6. (4) 1/4"-20 x 3/4" hex head cap screws | |

* Component varies depending on the BR-OV-A... bracket / coupling kit. Image shown in Figure 2 may not be representative of actual component.

Components (continued)

BR-OV-B... Bracket / Coupling Kits

Figure 3 shows the components supplied with a BR-OV-B... bracket / coupling kit:

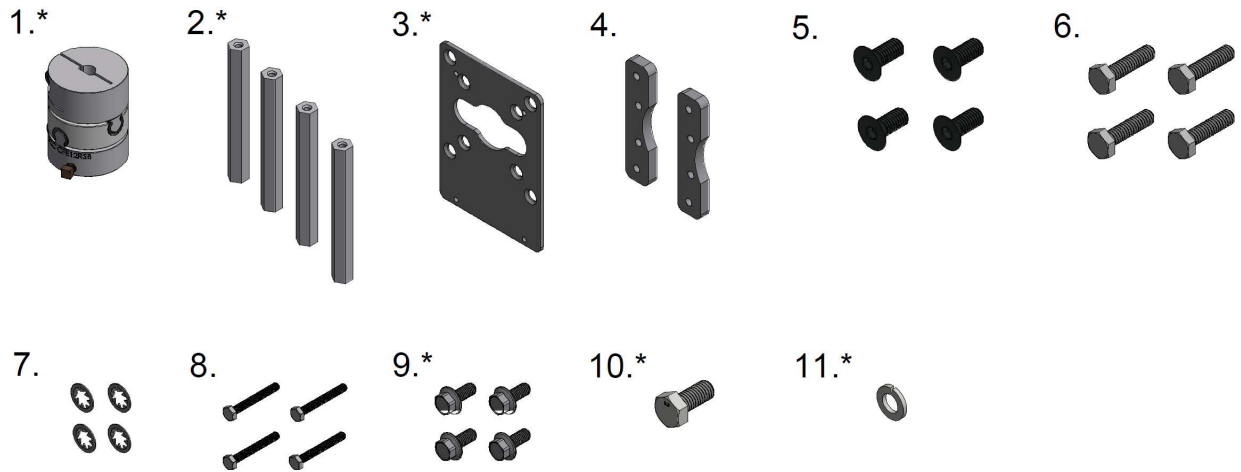


Figure 3: Components Supplied with a BR-OV-B... Bracket / Coupling Kit

- | | |
|---|--|
| 1. Coupling | 6. (4) 1/4"-20 x 1" hex head cap screws |
| 2. (4) hex standoffs | 7. (4) 1/4" internal tooth lock washers |
| 3. Actuator mounting bracket | 8. (4) 1/4"-20 x 2" hex head cap screws |
| 4. (2) valve mounting brackets | 9. (2) or (4) M5 x 12mm thread-forming screws |
| 5. (4) 1/4"-20 x 3/4" flat socket head cap screws | 10. M8 x 18mm hex head cap screw (BR-OV-B-4-1 or BR-OV-B-7-2 for SQM5... only) |
| | 11. M8 split lock washer (BR-OV-B-4-1 or BR-OV-B-7-2 for SQM5... only) |

* Component varies depending on the BR-OV-B... bracket / coupling kit. Image shown in Figure 3 may not be representative of actual component.

Information in this publication is based on current specifications. The company reserves the right to make changes in specifications and models as design improvements are introduced. Product or company names mentioned herein may be the trademarks of their respective owners. © 2019 SCC Inc.