

Model G | Gas Pressure Switches



Model G



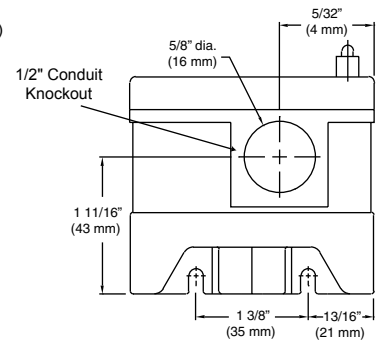
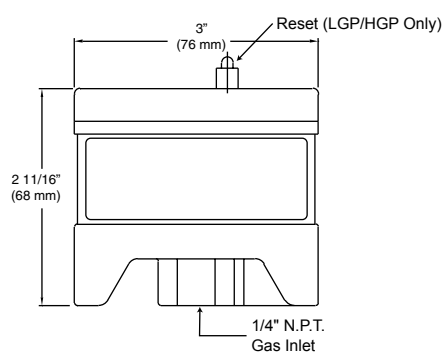
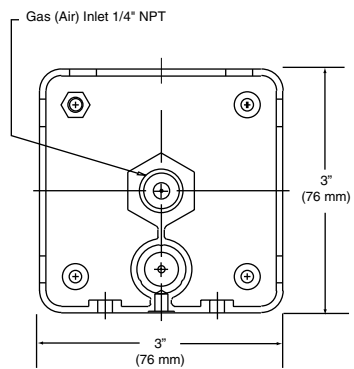
The Model G is a gas pressure switch that monitors pressure and breaks the electrical control circuit when pressure drops below or rises above the desired setpoint. The gas pressure settings are adjustable.

FEATURES

- Compact design.
- Accurate.
- Adjustable setpoints.
- Manual or automatic reset.
- Ventless.
- Cost-effective pricing.
- Custom design per OEM specifications.
- Mounts to any modular valve body.

Model G | Gas Pressure Switches

Dimensions



NOTE: Dimensions are for reference only.

Low Ranges Available

| Model | Part No. | W.C. | mbar |
|--------|------------|--------|----------|
| LGP-G | 8103116202 | 1"-20" | 3-50 |
| LGP-G | 8103116303 | 5"-30" | 12.5-75 |
| LGP-G | 8103116407 | 7"-55" | 17.5-137 |
| RLGP-G | 8104116102 | .5"-4" | 1.3-10 |
| RLGP-G | 8104116203 | 1"-20" | 2.5-50 |
| RLGP-G | 8104116304 | 5"-30" | 12.5-75 |
| Model | Part No. | PSI | Bar |
| RLGP-G | 8104118005 | 1-4 | .07-.28 |

High Ranges Available

| Model | Part No. | W.C. | mbar |
|--------|------------|---------|---------|
| HGP-G | 8101111202 | 2"-20" | 5-50 |
| HGP-G | 8101111303 | 8"-35" | 20-87 |
| HGP-G | 8101111407 | 10"-60" | 25-150 |
| RHGP-G | 8102111102 | .8"-4" | 2-10 |
| RHGP-G | 8102111203 | 2"-20" | 5-50 |
| RHGP-G | 8102111304 | 5"-35" | 12.5-87 |
| Model | Part No. | PSI | Bar |
| RHGP-G | 8102113005 | 1-4 | .07-.28 |

Specifications

Models—Reset

LGP-G: Single Unit, Lo-Pressure
HGP-G: Single Unit, Hi-Pressure

Models—Recycle

RLGP-G: Single Unit,
Lo-Pressure
RHGP-G: Single Unit,
Hi-Pressure

Electrical Ratings

10A @ 125 VAC
10A @ 250 VAC
1/3 HP, 125 & 250 VAC

Adjustable Operating Pressure

1" W.C. to 4 PSI (different ranges)

Surge Pressure: 15 PSI (1 Bar)

Max. Operating Pressure:

6 PSI (400 mbar) Automatic Reset

2 PSI (138 mbar) Manual Reset

Ambient Operating Temperature:

-40°F to 140°F (-40°C to 60°C)

Field wiring to be rated @ 60°C for maximum 140°F ambient

Shipping Weight: .5 lbs. (.227 kg)

Options:

- NEMA 3S with Kit
- 4-Pin DIN Connector
- Neon Lamp Indicator
- Side Mounting

Pressure switch purchases shall be governed by the terms located at www.antunes.com/terms.

P/N 1020374 Rev. C 09/16



Antunes delivers a complete range of countertop cooking equipment and water filtration solutions to foodservice operations around the world. Learn more about Antunes and its products at www.antunes.com.

U.S. Headquarters

Carol Stream, Illinois
Phone: (630) 784-1000
Toll Free: (800) 253-2991
Fax: (630) 784-1650

China Facility

Suzhou, China
Phone: 86-512-6841-3637
Toll Free: 86-512-6841-3907
Fax: 400-0-7878-22