

Model-D



Single Gas Pressure Switch



High Low Gas Pressure Switch

Gas Pressure Switches

Specifications

Antunes Controls Gas Pressure switches monitor gas pressure. The models are available in high pressure and low pressure single gas switches and also in a double Hi-Lo combination switch. Pressure range varies from 1" of water column to 50" of water column.

The combination switch provides both high pressure and low pressure units in one switch. This saves wiring and installation space over an interlock system with separate high pressure and low pressure switches.

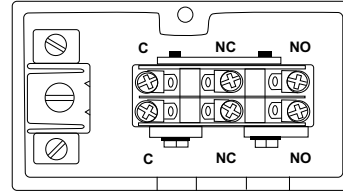
Each switch is adjustable within its ranges, as shown on the range scale on the front. The latch position in the reset type models, and lever indicator position in the recycle type models shows whether the switch is on or off.

Please read this instruction sheet carefully to assure correct installation. This equipment must be installed only by a licensed electrician who is experienced with combustion safeguard control systems and understands the functions of an interlocking switch such as gas pressure switches. Prior to being put into operation in conjunction with the combustion safeguard systems, all switches should be tested for proper range setting and proper wiring. Check piping connections and switch housing for leaks with a soap bubble test. All exhaust fans and blowers should be inspected and checked for proper rotation prior to starting up. If you have any problems or questions, phone, fax, email or write to the manufacturer, Antunes Controls.



Electrical Ratings: All Models

4A @ 125 VAC
 3A @ 250-277 VAC
 1/8 HP @ 125 VAC
 1/4 HP @ 250 VAC
 Pilot Duty - 125 VA, 125/250 VAC

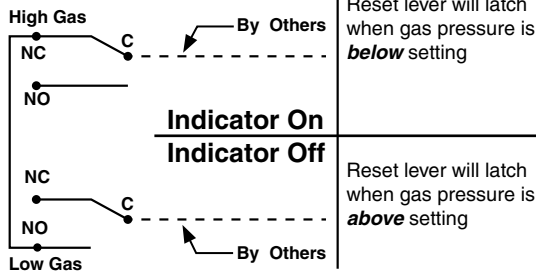


Electrical Wiring: Combination Models

Model: HLGPD

Duty: High Low Gas Reset Switch
Elec. Rating: 4A, 125 VAC, 3A, 250-277 VAC
 1/8 HP @ 125 VAC, 1/4 HP @ 250 VAC
Pilot Duty: 125 VA, 125-250 VAC

Reset
HLGPD



Reset lever will latch when gas pressure is **below** setting

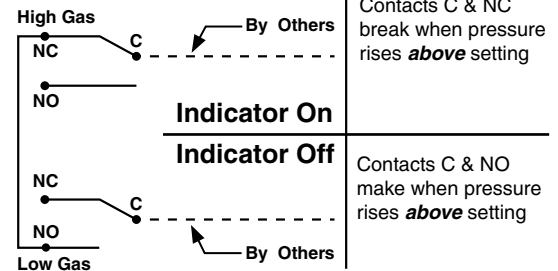
Reset lever will latch when gas pressure is **above** setting

Field wiring to be rated @75°C for max 120°F Ambient
 Field wiring to be rated @90°C for max 140°F Ambient
 Max Surge Pressure: 10 PSIG

Model: RHLGPD

Duty: High Low Gas Reset Switch
Elec. Rating: 4A, 125 VAC, 3A, 250-277 VAC
 1/8 HP @ 125 VAC, 1/4 HP @ 250 VAC
Pilot Duty: 125 VA, 125-250 VAC

Reset
RHLGPD



Contacts C & NC break when pressure rises **above** setting

Contacts C & NO make when pressure rises **above** setting

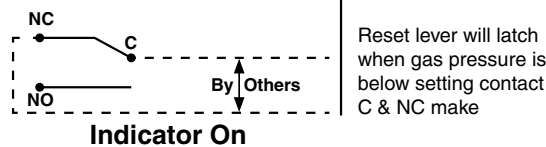
Field wiring to be rated @75°C for max 120°F Ambient
 Field wiring to be rated @90°C for max 140°F Ambient
 Max Surge Pressure: 10 PSIG

Electrical Wiring: Single Models

Model: HGP-D

Duty: High Gas Reset Switch
Elec. Rating: 4A, 125 VAC, 3A, 250-277 VAC
 1/8 HP @ 125 VAC, 1/4 HP @ 250 VAC
Pilot Duty: 125 VA, 125-250 VAC

Reset
HGP-D



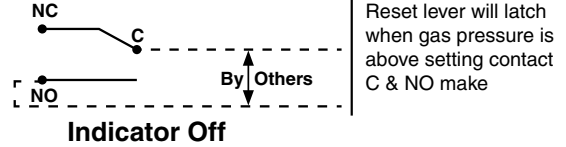
Reset lever will latch when gas pressure is below setting contact C & NC make

Field wiring to be rated @75°C for max 120°F Ambient
 Field wiring to be rated @90°C for max 140°F Ambient
 Max Surge Pressure: 10 PSIG

Model: LGP-D

Duty: Low Gas Reset Switch
Elec. Rating: 4A, 125 VAC, 3A, 250-277 VAC
 1/8 HP @ 125 VAC, 1/4 HP @ 250 VAC
Pilot Duty: 125 VA, 125-250 VAC

Reset
LGP-D



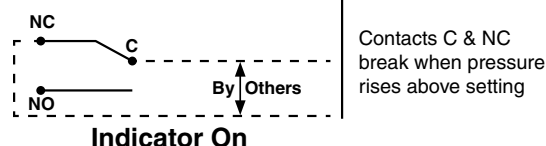
Reset lever will latch when gas pressure is above setting contact C & NO make

Field wiring to be rated @75°C for max 120°F Ambient
 Field wiring to be rated @90°C for max 140°F Ambient
 Max Surge Pressure: 10 PSIG

Model: RHGPD

Duty: High Gas Recycle Switch
Elec. Rating: 4A, 125 VAC, 3A, 250-277 VAC
 1/8 HP @ 125 VAC, 1/4 HP @ 250 VAC
Pilot Duty: 125 VA, 125-250 VAC

Recycle
RHGPD



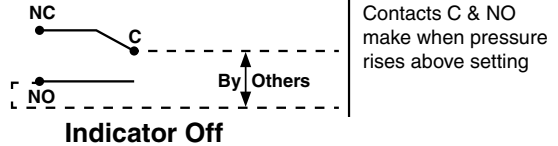
Contacts C & NC break when pressure rises above setting

Field wiring to be rated @75°C for max 120°F Ambient
 Field wiring to be rated @90°C for max 140°F Ambient
 Max Surge Pressure: 10 PSIG

Model: RLGPD

Duty: Low Gas Recycle Switch
Elec. Rating: 4A, 125 VAC, 3A, 250-277 VAC
 1/8 HP @ 125 VAC, 1/4 HP @ 250 VAC
Pilot Duty: 125 VA, 125-250 VAC

Recycle
RLGPD

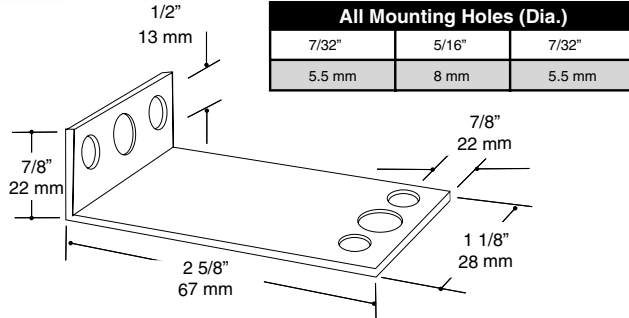


Contacts C & NO make when pressure rises above setting

Field wiring to be rated @75°C for max 120°F Ambient
 Field wiring to be rated @90°C for max 140°F Ambient
 Max Surge Pressure: 10 PSIG

Mounting: Simple Mounting - All Models

Single Model Mounting Bracket



All gas pressure switches must be mounted in a horizontal position, with the inlet stem down. Switches should be reasonably level but do not require accurate leveling. Single gas switch models have a 1/4" N.P.T. gas inlet. Double combination Hi-Lo switches have a 3/8" N.P.T. for high pressure inlet and a 1/8" N.P.T. for low pressure inlet. Gas vent outlets are 1/8" N.P.T. on all models. Piping can be either standard black pipe or aluminum tubing. All switches can be supported by the inlet pipe, but optional mounting brackets are available if needed.

Operation

Low Gas Pressure

Low gas pressure switches break the electrical circuit on pressure drop at the point when gas pressure becomes lower than the indicated set pressure.

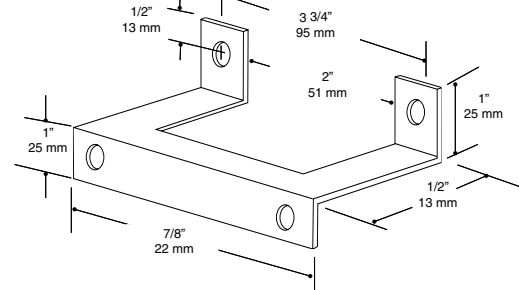
Before the manual reset latch can be properly latched, gas pressure in the chamber must be higher than the indicated setting. The position of the reset latch on the top cover of the switch shows whether reset latch is in the on or off position. Reset latch must be in "on" position after latching to be properly set.

High Gas Pressure

High gas pressure switches break the electrical circuit when pressure rises above the indicated preset

Double Model Mounting Bracket

All Mounting Holes 5/16" (8mm) Diameter



All switches have been factory-calibrated and tested for leaks. However, it is recommended that after the installation is completed, switch, gas pipe inlets, and connections be tested for leaks with a soap bubble test.

Maximum surge pressure: 10 PSIG

Maximum ambient operating temperature: 140°F or 60°C

Minimum ambient operating temperature: -40°F or -40°C

pressure. The reset latch should be latched in the "on" position if the gas pressure in the switch chamber is below the indicated high setting.

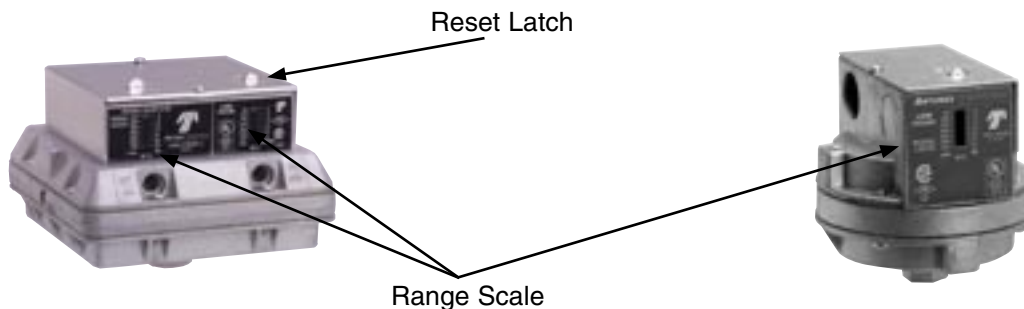
Recycle Models

High and Low Gas Pressure

Recycle models operate automatically and do not need to be reset. Otherwise they are constructed, adjusted, and operate in the same manner as the reset models.

Combination Models

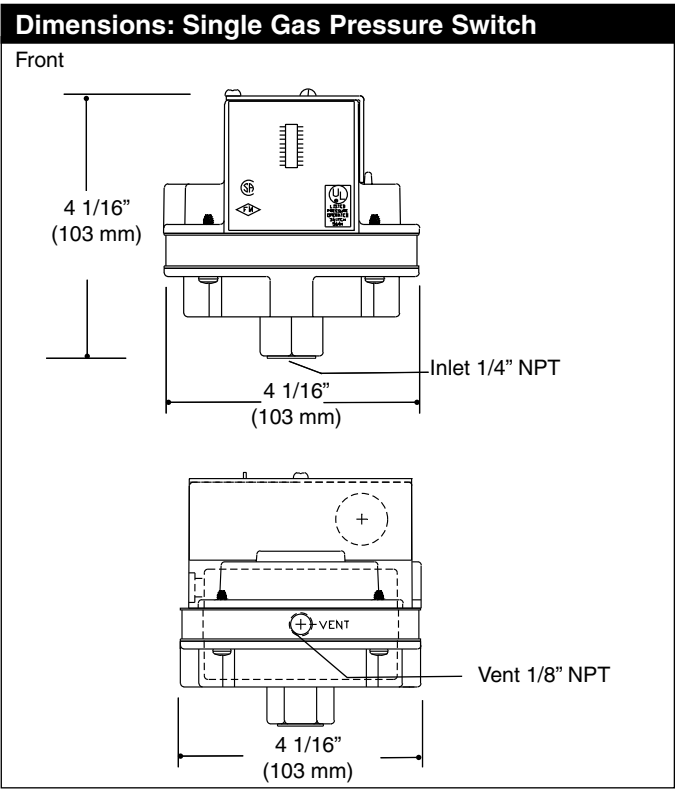
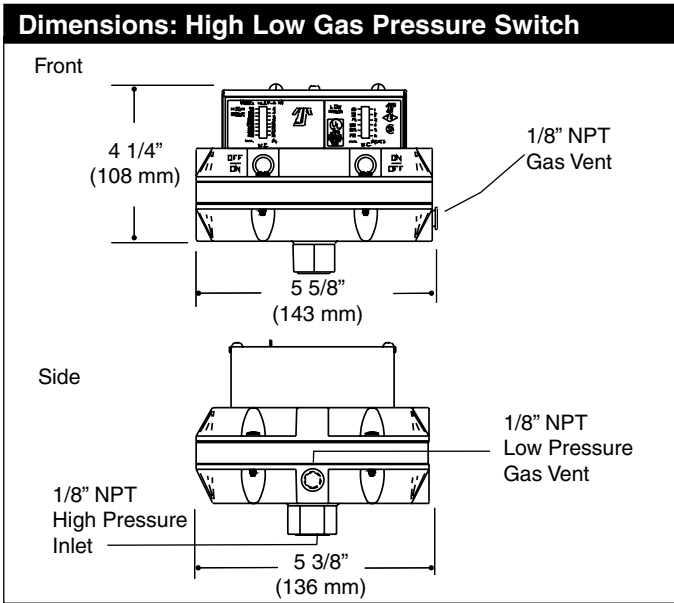
The combination unit contains one high pressure unit and one low pressure unit, in the ranges you select. They may be either reset or recycle type. Each unit has on/off indicator, and its own range scale indicator.



Model Numbers		
Reset		Recycle
HLGP-D	Combination Double Unit	RHLGP-D
LGP-D	Single Unit, Lo-Pressure	RLGP-D
HGP-D	Single Unit, Hi-Pressure	RHGP-D

To order: For example, if you wanted a switch with a low pressure cut-off at 4" reset type, you would order Model LGP-D 1-6". If you wanted a combination switch with a high pressure cut-off at 40" W.C. and a low pressure cut-off at 8" W.C. in recycle type, you would order Model RHLGP-D 10-50", 2-14".

Ranges Available			
High Gas Pressure (HGP-D, RHGP-D)		Low Gas Pressure (LGP-D, RLGP-D)	
W.C.	mm/W.C.	W.C.	mm/W.C.
5 - 28" W.C.	125-700	2-14" W.C.	50-350
10 - 50" W.C.	250-1250	10-50" W.C.	250-1250



Limitation of Liability

It is understood and agreed that seller's liability whether in contract, in tort, under any warranty, in negligence or otherwise shall not exceed the return of the amount of the purchase price paid by purchaser and under no circumstances shall seller be liable for special, indirect or consequential damages.

The price stated for the equipment is a consideration in limiting seller's liability. No action, regardless of form, arising out of the transactions may be brought by purchaser more than one year after the cause of action has accrued.

