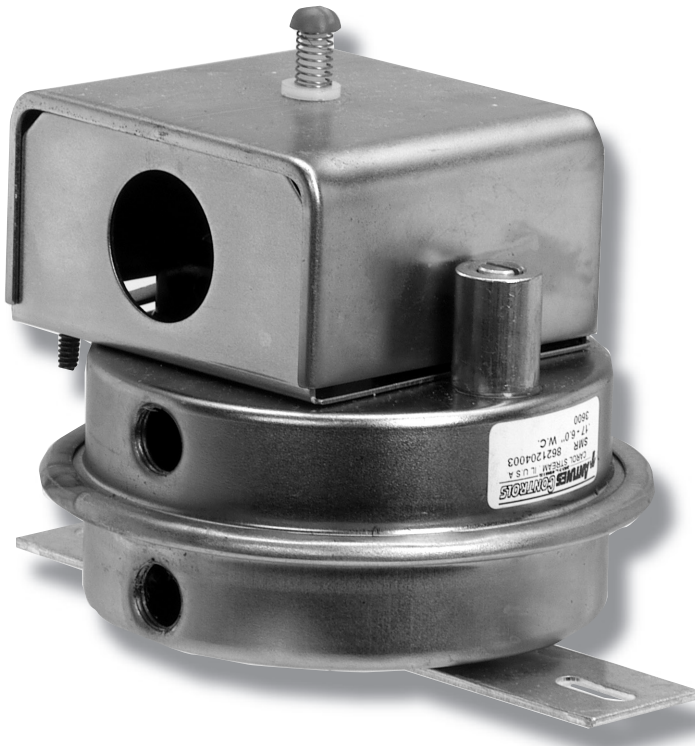


## Air Pressure Switches

- Differential
  - Vacuum
  - Pressure
- Model - SMR**



Model - SMR

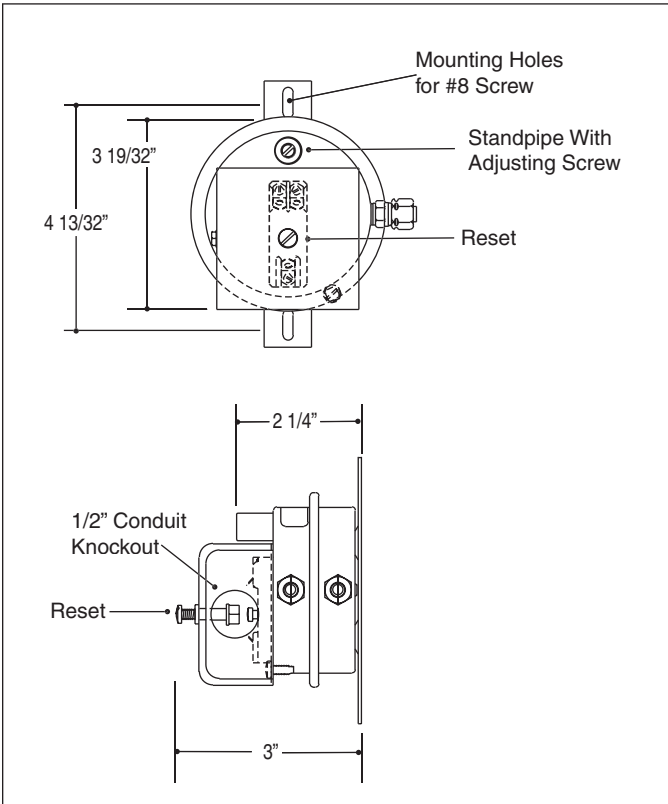
Antunes Controls is one of the leading manufacturers of pressure control switches. Our sheet metal air differential switches are compact, sensitive, and reliable. Their design is based on the same principles of reliability, repeatability and accuracy that has made our line of pressure switches so successful.

### Features:

- Sensitive Diaphragm
- Snap Action Electrical Switch
- S.P.D.T. Rated at 10 Amps
- Three Range Scales - from .17" W.C. to a maximum of 12.0" W.C.
- Easy to Install
- Cost Effective Pricing
- Manual Reset



### Dimensions:



### Electrical:

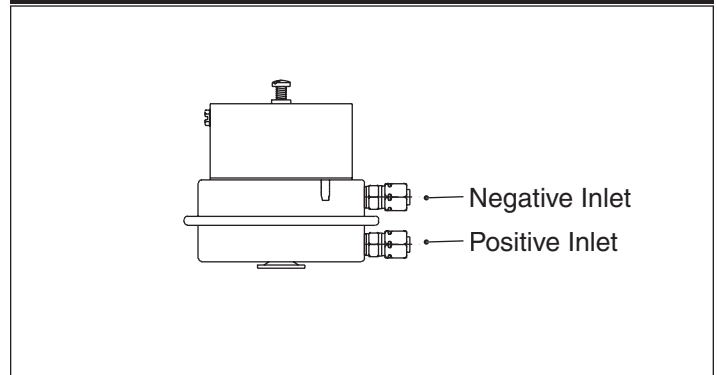
Ratings - All Models  
 10A @ 125VAC, 8A @ 250VAC, 7A @ 277VAC (Resistive)  
 1/8HP @ 125VAC, 1/4HP @ 250VAC  
 Pilot Duty – 125VA @ 125/277 VAC

### Notes:

Standard mounting bracket is shown. For other mounting arrangements, contact factory.

All Models	Optional Fittings
Max. Surge Pressure 20" W.C.	1/4" Barb
Max. Ambient Temp. 170° F	1/4" Tube
Max. Ambient Temp. -40° F	1/2" Compression

### Location of Inlets



Limitation of Liability. If it is understood and agreed that seller's liability whether in contract, in tort, under any warranty, in negligence or otherwise, shall not exceed the return of the amount of the purchase price paid by purchaser and under no circumstances shall seller be liable for special, indirect or consequential damages. The price stated for the equipment is a consideration in limiting seller's liability. No action, regardless of form, arising out of the transactions may be brought by purchaser more than one year after the cause of action has accrued.