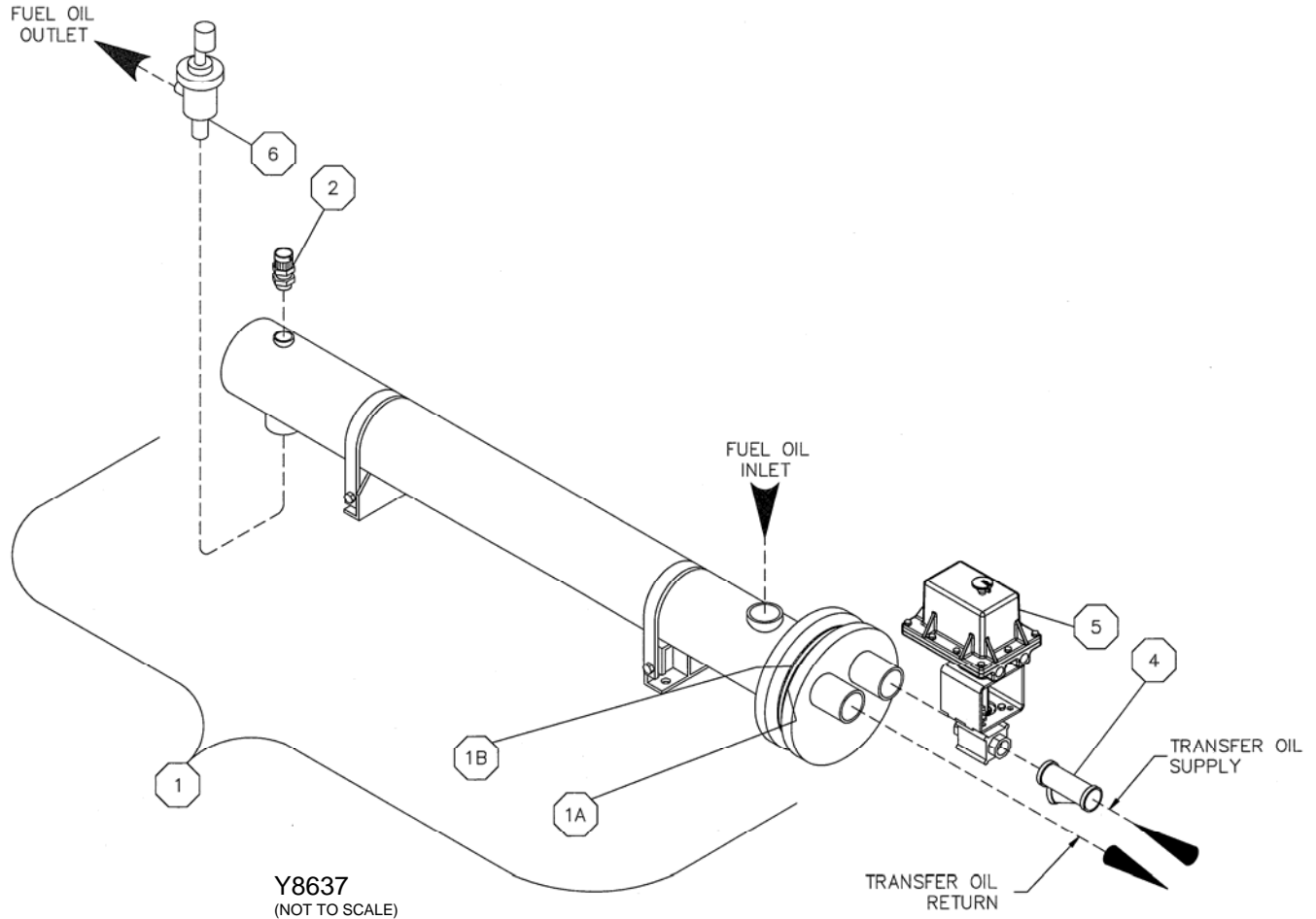




PARTS LIST

OVC OIL VISCOSITY CONTROL WITH LHO OIL LINE HEATER OIL-TO-OIL TYPE



Key No.	Description	<u>LHO 06-060</u>	<u>LHO 08-048</u>	<u>LHO 08-060</u>	<u>LHO 10-048</u>	<u>LHO 10-060</u>
1	Heater, LHO	301364	301365	301366	301367	301368
a	Head Gasket	Consult Hauck				
b	Tank Gasket	Consult Hauck				
AUXILLIARY COMPONENTS						
2	Relief Valve	44236x100	44236x100	44236x100	44236x100	44236x100
3	Temperature Regulator	301193	301195	301195	301201	301201
4	Strainer	20691	20694	20694	20694	20694
OVC COMPONENTS						
5	Viscosity Control Valve	406368	406369	406369	406370	406370
6	Viscosity Monitor	302621	302621	302621	302621	302621