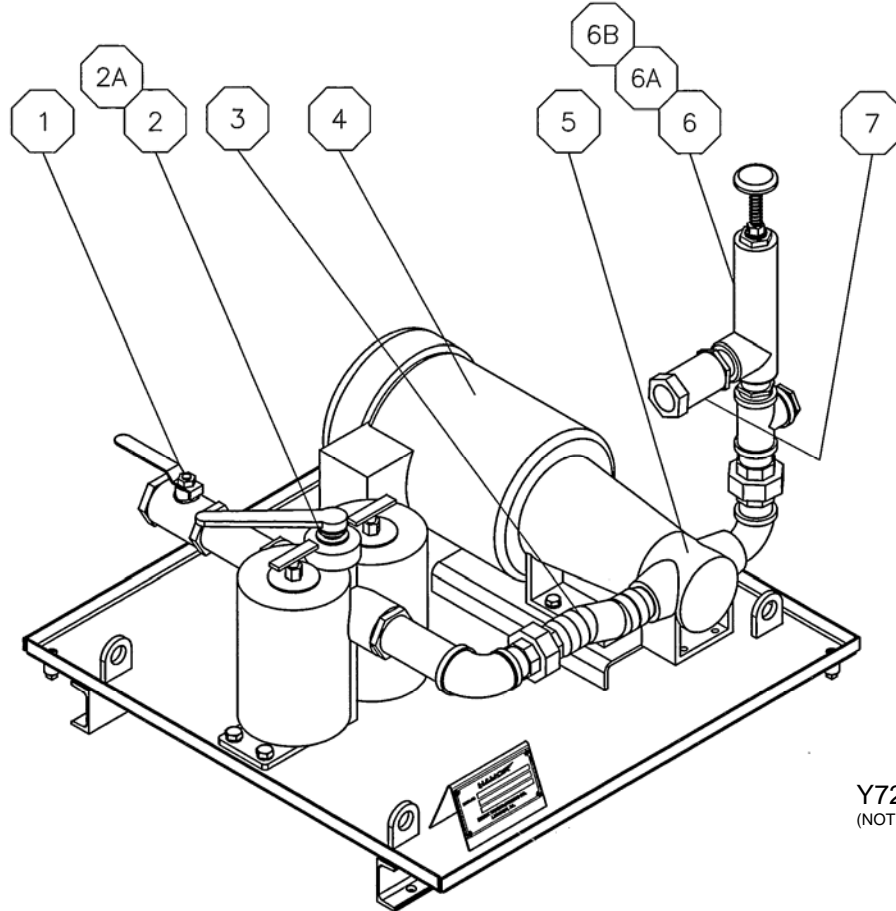




**SPU SUPPLY PUMPING UNIT
LIGHT OIL**



Y7229
(NOT TO SCALE)

Key

No.	Description	<u>RP1-56C-1/3-1800</u>	<u>GP26-56C-3/4-1200</u>	<u>GP26-56C-1-1800</u>	<u>GP33-145TC-1 1/2-1200</u>
1	Ball Valve	41608 1 NPT	41608 1 NPT	41608 1 NPT	41609 1 1/4 NPT
2	Strainer*				
	Kraissl	300684	300684	300684	300688
	Hayward	300684	300684	300684	300688
a	Basket* (2 Req'd)				
	Kraissl	302624	302624	302624	302626
	Hayward	300805	300805	300805	300807
3	Hose, Flexible	301237	301237	301237	301238
4	Motor, TEFC	Consult Hauck	301764	301710	301712
5	Light Oil Pump	Consult Hauck	301765	301765	301766
6	Pressure Relief Valve	61162	61162	61162	61163
a	Spring, Red 7-35 psi	95248	95248	95248	95249
b	Spring, Green 30-100 psi	43782	43782	43782	43783
7	Check Valve	44145 3/4 NPT	44145 3/4 NPT	44145 3/4 NPT	44146 1 NPT

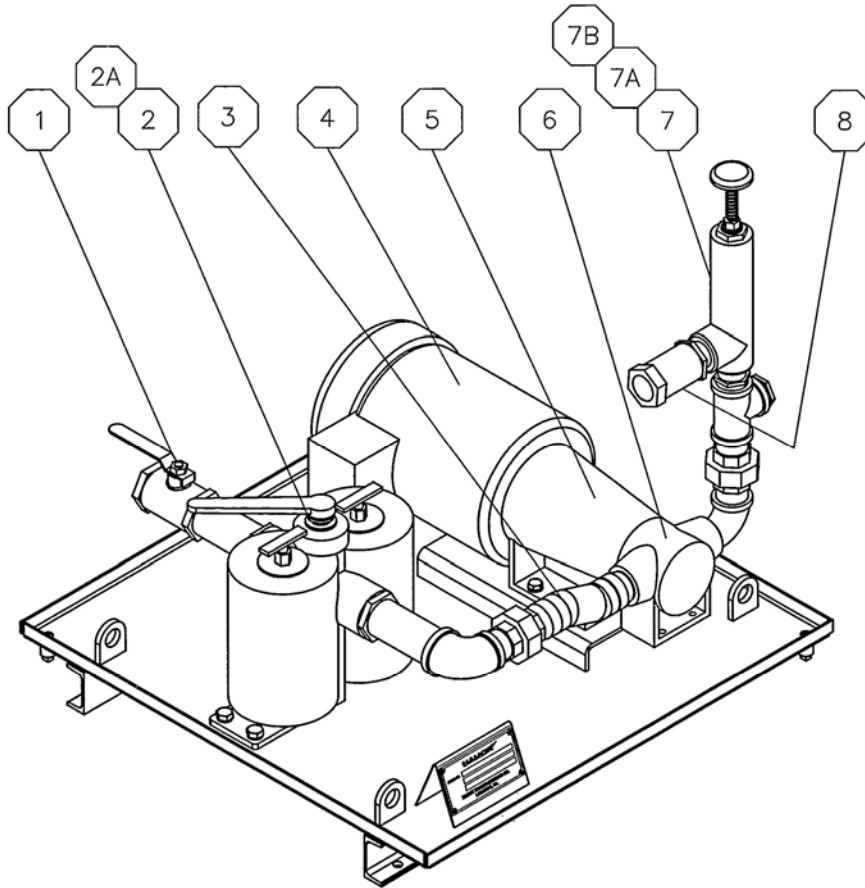
* - Please specify brand when ordering replacement strainer or basket.

(OVER)

Key				
<u>No.</u>	<u>Description</u>	<u>GP33-145TC-1 1/2-1800</u>	<u>GP41-145TC-1 1/2-1200</u>	<u>GP41-182TC-3-1800</u>
1	Ball Valve	41609 1 1/4 NPT	41611 2 NPT	41611 2 NPT
2	Strainer*			
	Kraissl	300688	300690	300690
	Hayward	300688	300690	300690
a	Basket* (2 Req'd)			
	Kraissl	302626	302628	302628
	Hayward	300807	300809	300809
3	Hose, Flexible	301238	301239	301240
4	Motor, TEFC	301711	301712	301709
5	Light Oil Pump	301766	301763	301763
6	Pressure Relief Valve	61163	61164	61164
a	Spring, Red 7-35 psi	95249	95251	95251
b	Spring, Green 30-100 psi	43783	95049	95049
7	Check Valve	44146 1 NPT	44147 1 1/4 NPT	44147 1 1/4NPT

* - Please specify brand when ordering replacement strainer or basket.

SPU SUPPLY PUMPING UNIT HEAVY/RECYCLED OIL



Y7344
(NOT TO SCALE)

Key		<u>GP26-182TC-1-900</u>	<u>GP26-145TC-1-1200</u>	<u>GP33-182TC-1-900</u>	<u>GP33-184TC-2-1200</u>
No.	Description				
1	Ball Valve	41608 1 NPT	41608 1 NPT	41609 1 1/4 NPT	41609 1 1/4 NPT
2	Strainer*				
	Kraissl	300684	300684	300688	300688
	Hayward	300684	300684	300688	300688
a	Basket* (2 Req'd)				
	Kraissl	302624	302624	302626	302626
	Hayward	300805	300805	300807	300807
3	Hose, Flexible	301237	301237	301238	301238
4	Motor, TEFC	302115	301607	302115	301608
5	Helical Gear Reducer	---	---	---	---
6	Heavy/Recycled Oil Pump	301603	301603	301604	301604
7	Pressure Relief Valve	61162	61162	61163	61163
a	Spring, Red 7-35 psi	95248	95248	95249	95249
b	Spring, Green 30-100 psi	43782	43782	43783	43783
8	Check Valve	44145 3/4 NPT	44145 3/4 NPT	44146 1 NPT	44146 1 NPT

* - Please specify brand when ordering replacement strainer or basket.

(OVER)

Key No.	Description	<u>GP41-184TC-2-900</u>	<u>GP41.1-213TC-3-1200</u>	<u>GP41.2-213TC-3-1200</u>	<u>HD51-184TC-5-930</u>
1	Ball Valve	41610 1 1/2 NPT	41610 1 1/2 NPT	41611 2 NPT	41611 2 NPT
2	Strainer*				
	Kraissl	300688	300688	300690	300690
	Hayward	300688	300688	300690	300690
a	Basket* (2 Req'd)				
	Kraissl	302626	302626	302628	302628
	Hayward	300807	300807	300809	300809
3	Hose, Flexible	301239	301239	301239	301240
4	Motor, TEFC	301608	301609	301609	301610
5	Helical Gear Reducer	---	---	---	301611
6	Heavy/Recycled Oil Pump	301605	301605	301605	301606
7	Pressure Relief Valve	61163	61163	61164	61164
a	Spring, Red 7-35 psi	95249	95249	95251	95251
b	Spring, Green 30-100 psi	43783	43783	95049	95049
8	Check Valve	44146 1 NPT	44146 1 NPT	44147 1 1/4 NPT	44147 1 1/4 NPT

* - Please specify brand when ordering replacement strainer or basket.