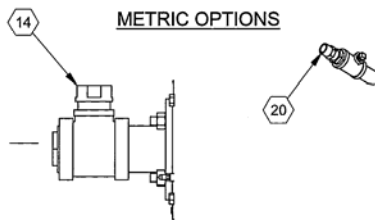
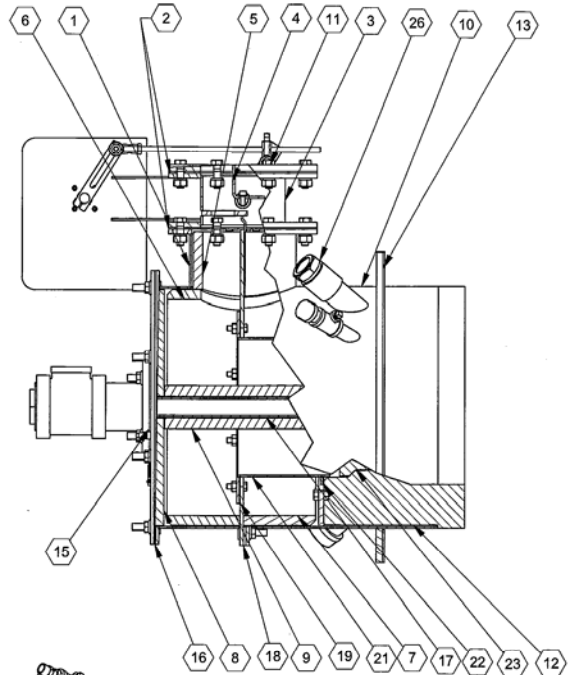
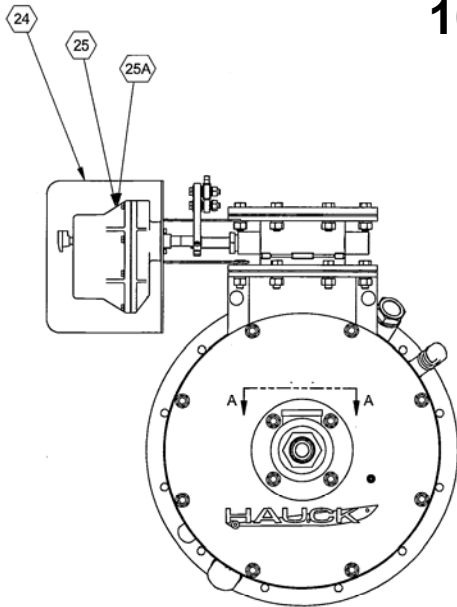




# PARTS LIST

## TriOx TRIPLE AIR STAGED ULTRA LOW NOx BURNER TriOx\_006 1000 – 2000 SERIES



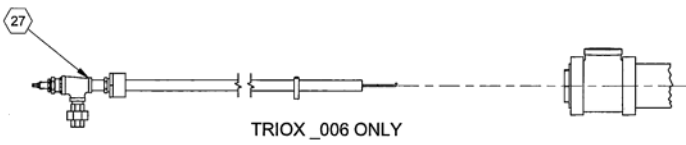
Y8708 Sht. 1  
(NOT TO SCALE)

**Key**

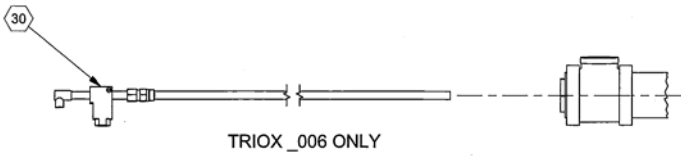
No.	Description	TriOx 1006	TriOx 2006
1	Body Assembly, Burner Air (Rear)	406545	406545
2	Gasket, Air Valve Mounting	402470	402470
3	Valve Assembly, Switching	402423	402423
4	Kit Assembly, Switching Valve Disc	402454	402454
5	Insulation, Air Inlet (Rear/Front)	N/A	406615
6	Insulation, Air Body (Rear)	N/A	406613
7	Insulation, Air Body (Front)	N/A	406614
8	Insulation, Backplate	N/A	402438
9	Insulation, Gas Tube	N/A	404543
10	Body Assembly, Burner Air (Front)	406544	406544
11	Flange, Air Valve (Metric Option)	405015	405015
12	Tile Assembly, Burner	402424	402424
13	Gasket, Tile Mounting	402471	402471
14	Tee Assembly (Metric Option)	402428	402428
15	Gasket, Gas Tee	7681	7681
16	Gasket, Burner Backplate Mounting	402468	402468
17	Tube Assembly, Burner Gas	402430	402430
18	Gasket, Burner Body/Separating Plate Mounting	406545-F	406545-F
19	Gasket, Air Separating Tube Mounting	402465	402465
20	Adapter, BSPT Brass (Metric Option)	300967	300967
21	Tube Assembly, Burner Air Separating	402426	402426

No.	Description	TriOx 1006	TriOx 2006
22	Gasket, Air Separating Tube, Rope Packing	200071x67.000	200071x67.000
23	Nozzle, Burner Refractory	402431	402431
24	Kit Assembly, Switching Valve Actuator Mounting	406603	406603
25	Actuator, 115V50-60	302103	302103
25A	Actuator, 220V50-60	302395	302395
26	Port, Observation	12268	12268
27	Ignition, Spark	405808	405808
28	Igniter, Gas Pilot Assembly	45302-002	45302-002
28A	Gas Pilot	32970x009	32970x009
29	Adapter, Male (Metric Option)	405010	405010
30	Igniter, ZMI Pilot	84230080	84230080

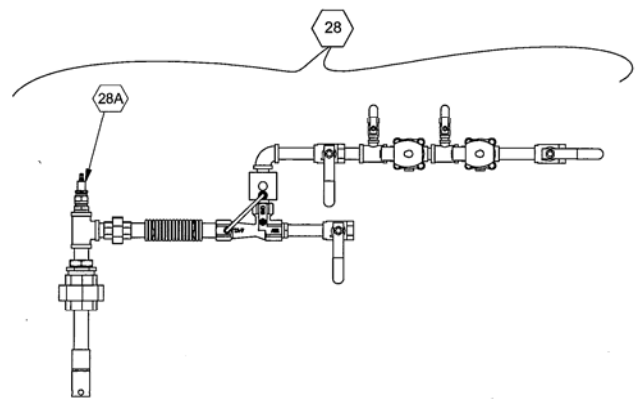
**SECTION A-A**  
**SHOWING OPTIONAL SPARK IGNITOR**



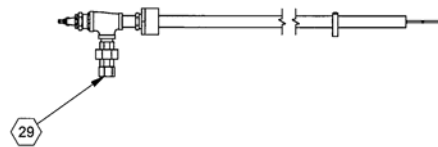
**SECTION A-A**  
**SHOWING OPTIONAL ZMI GAS PILOT**



**GAS PILOT IGNITION**



**METRIC OPTION**

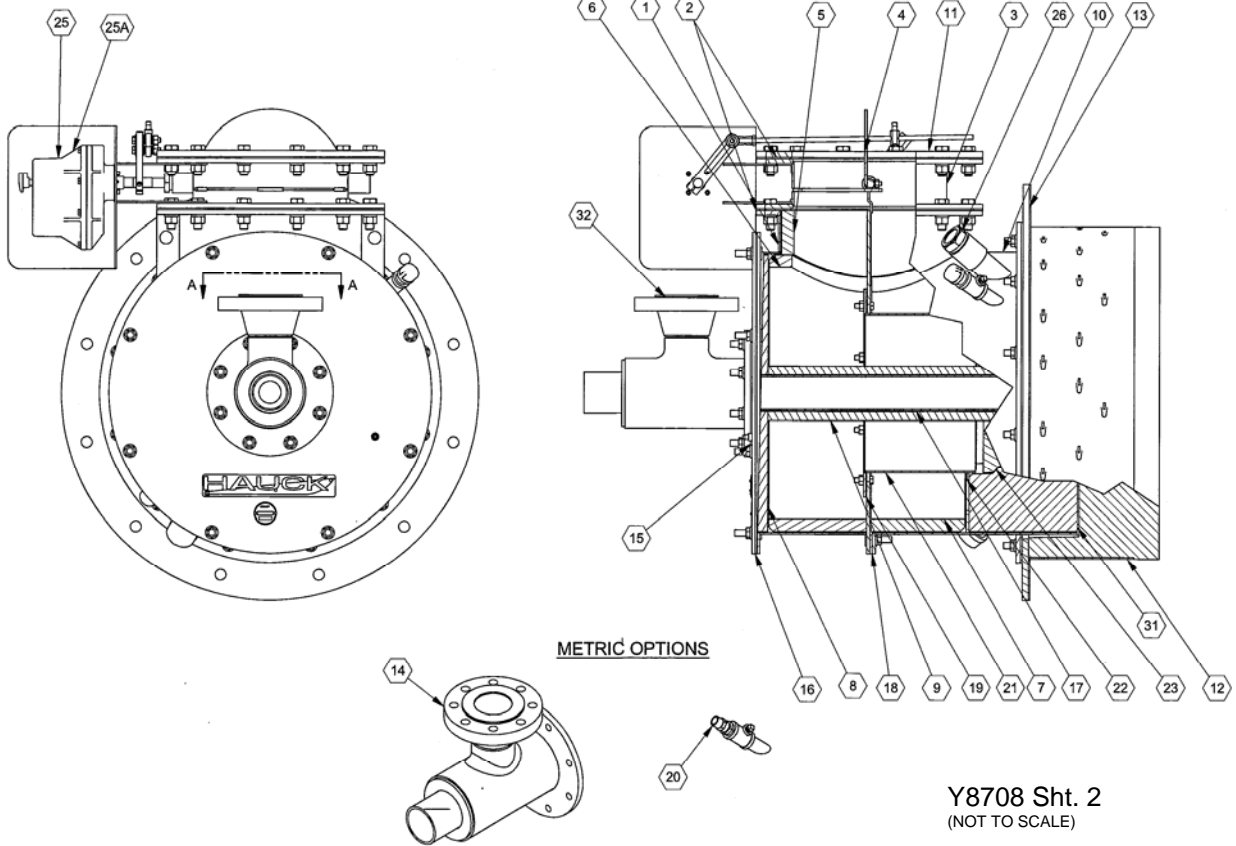


Y8708 Sht. 3  
(NOT TO SCALE)



# PARTS LIST

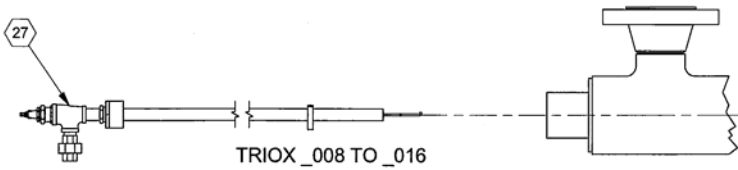
## TriOx TRIPLE AIR STAGED ULTRA LOW NOx BURNER TriOx\_008 – TriOx\_012 1000 – 2000 SERIES



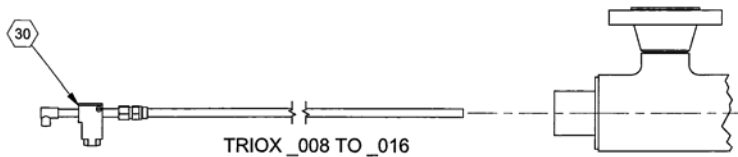
Key No.	Description	TriOx 1008	TriOx 2008	TriOx 1012	TriOx 2012
1	Body Assembly, Burner Air (Rear)	406524	406524	406445	406445
2	Gasket, Air Valve Mounting	401860	401860	401931	401931
3	Valve Assembly, Switching	402656	402656	402765	402765
4	Kit Assembly, Switching Valve Disc	402661	402661	402770	402770
5	Insulation, Air Inlet (Rear/Front)	N/A	401816	N/A	406570
6	Insulation, Air Body (Rear)	N/A	406616	N/A	406571
7	Insulation, Air Body (Front)	N/A	406617	N/A	406571-A
8	Insulation, Backplate	N/A	401814	N/A	401962
9	Insulation, Gas Tube	N/A	404464	N/A	404527
10	Body Assembly, Burner Air (Front)	406529	406529	406444	406444
11	Flange, Air Valve (Metric Option)	405064	405064	405065	405065
12	Tile Assembly, Burner	406409	406409	406418	406418
13	Gasket, Tile Mounting	402137	402137	402136	402136
14	Tee Assembly (Metric Option)	406642	406642	406644	406644
15	Gasket, Gas Tee	7682	7682	401948	401948
16	Gasket, Burner Backplate Mounting	406417	406417	401929	401929
17	Tube Assembly, Burner Gas	404462	404462	404525	404525
18	Gasket, Burner Body/Separating Plate Mounting	406529-E	406529-E	406444-E	406444-E
19	Gasket, Air Separating Tube Mounting	401855	401855	401926	401926
20	Adapter, BSPT Brass (Metric Option)	300967	300967	300967	300967
21	Tube Assembly, Burner Air Separating	401850	401850	401921	401921

Key No.	Description	TriOx 1008	TriOx 2008	TriOx 1012	TriOx 2012
22	Gasket, Air Separating Tube, Rope Packing	200071x72.000	200071x72.000	200071X79.500	200071X79.500
23	Nozzle, Burner Refractory	404461	404461	404524	404524
24	Kit Assembly, Switching Valve Actuator Mounting	406612	406612	402765	402765
25	Actuator, 115V50-60	302103	302103	302103	302103
25A	Actuator, 220V50-60	302395	302395	302395	302395
26	Port, Observation	12268	12268	12268	12268
27	Ignition, Spark	403946x009	403946x009	403946x010	403946x010
28	Igniter, Gas Pilot Assembly	405302-001	405302-001	406236-001	406236-001
28A	Gas Pilot	32970x009	32970x009	32970x009	32970x009
29	Adapter, Male (Metric Option)	405010	405010	405010	405010
30	Igniter, ZMI Pilot	84230090	84230090	84230100	84230100
31	Gasket, Tile Cushion	401856	401856	401927	401927
32	Gasket, Tee Flange	300604	300604	300604	300604

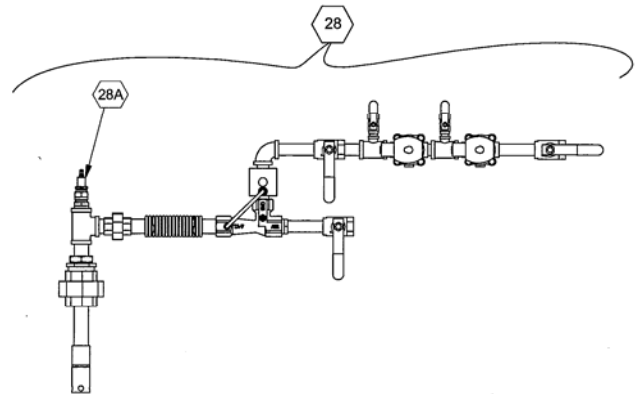
SECTION A-A  
SHOWING OPTIONAL SPARK IGNITOR



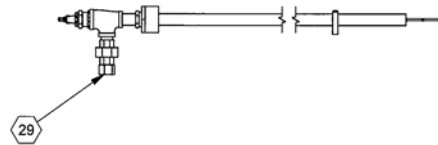
SECTION A-A  
SHOWING OPTIONAL ZMI GAS PILOT



GAS PILOT IGNITION



METRIC OPTION

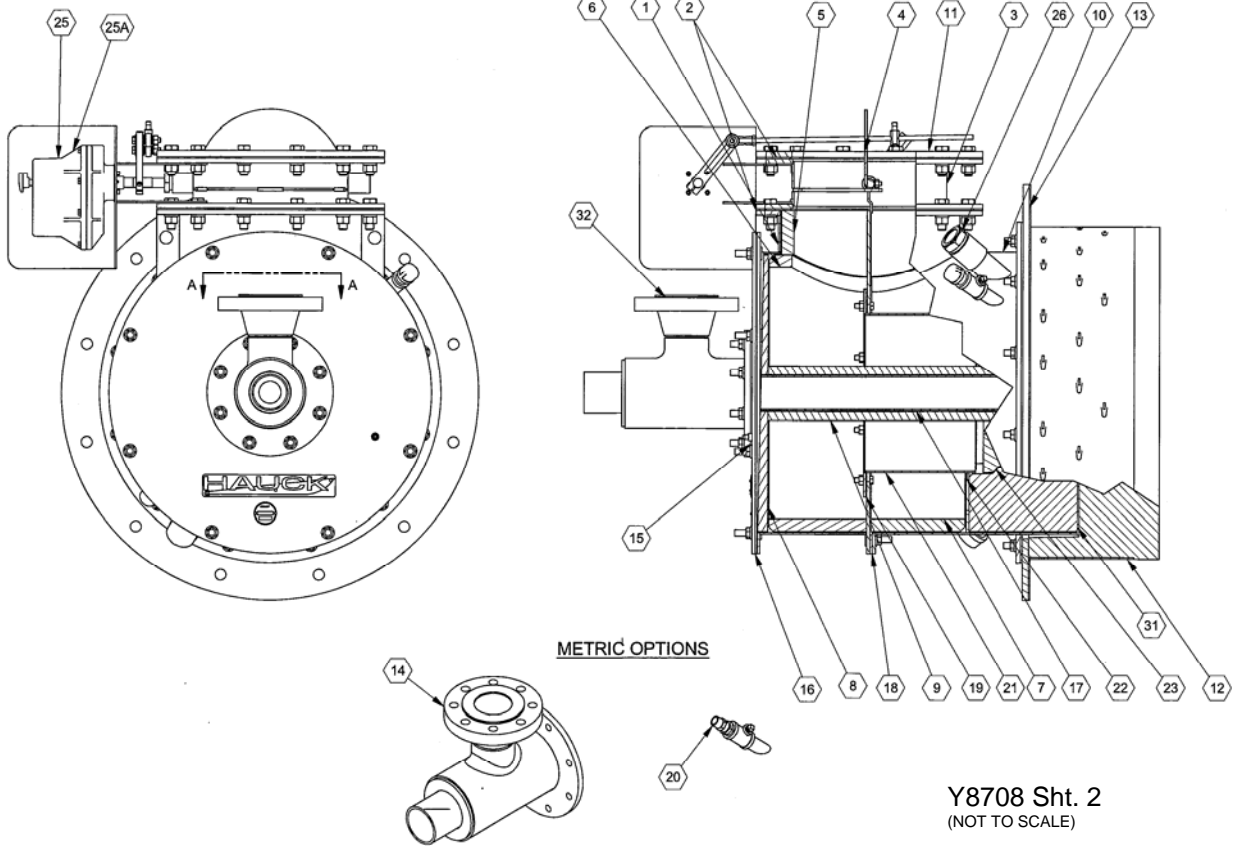


Y8708 Sht. 3  
(NOT TO SCALE)



# PARTS LIST

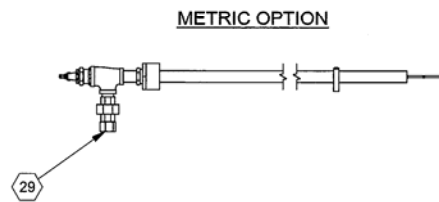
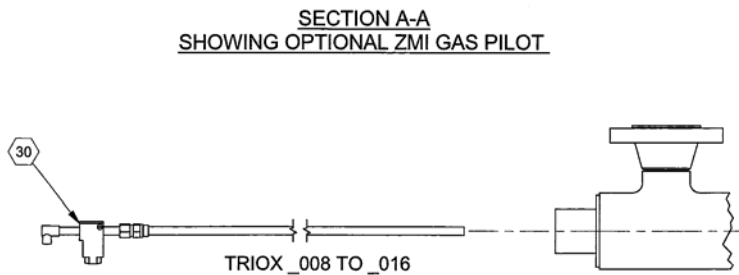
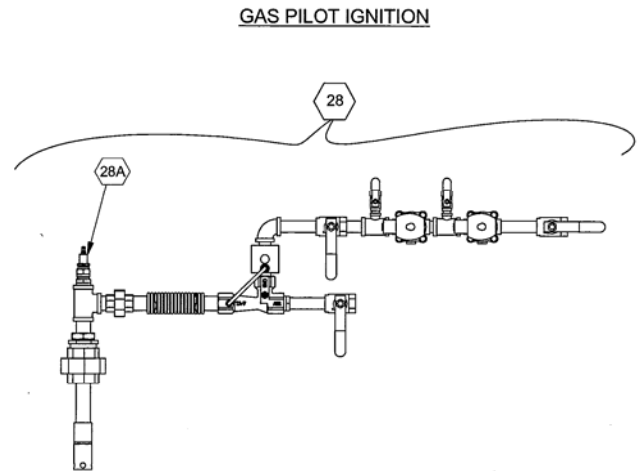
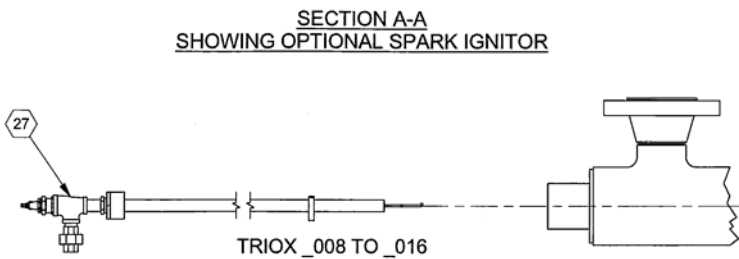
## TriOx TRIPLE AIR STAGED ULTRA LOW NOx BURNER TriOx\_014 – TriOx\_016 1000 – 2000 SERIES



Y8708 Sht. 2  
(NOT TO SCALE)

Key No.	Description	TriOx 1014	TriOx 2014	TriOx 1016	TriOx 2016
1	Body Assembly, Burner Air (Rear)	406550	406550	406555	406555
2	Gasket, Air Valve Mounting	402358	402358	403911	403911
3	Valve Assembly, Switching	402311	402311	403865	403865
4	Kit Assembly, Switching Valve Disc	402342	402342	403896	403896
5	Insulation, Air Inlet (Rear/Front)	N/A	402328	N/A	406621
6	Insulation, Air Body (Rear)	N/A	406618	N/A	403882
7	Insulation, Air Body (Front)	N/A	406619	N/A	406620
8	Insulation, Backplate	N/A	402326	N/A	402438
9	Insulation, Gas Tube	N/A	404536	N/A	404547
10	Body Assembly, Burner Air (Front)	406551	406551	406556	406556
11	Flange, Air Valve (Metric Option)	405066	405066	405067	405067
12	Tile Assembly, Burner	406500	406500	406563	406563
13	Gasket, Tile Mounting	402359	402359	403910	403910
14	Tee Assembly (Metric Option)	406643	406643	406643	406643
15	Gasket, Gas Tee	406503	406503	8860	8860
16	Gasket, Burner Backplate Mounting	402356	402356	403912	403912
17	Tube Assembly, Burner Gas	404534	404534	403872	403872
18	Gasket, Burner Body/Separating Plate Mounting	406550-I	406550-I	406556-F	406556-F
19	Gasket, Air Separating Tube Mounting	402353	402353	403906	403906
20	Adapter, BSPT Brass (Metric Option)	300967	300967	300967	300967
21	Tube Assembly, Burner Air Separating	402314	402314	403868	403868

Key No.	Description	TriOx 1014	TriOx 2014	TriOx 1016	TriOx 2016
22	Gasket, Air Separating Tube, Rope Packing	200071x90.000	200071x90.000	200071X100.000	200071X100.000
23	Nozzle, Burner Refractory	404533	404533	403873	403873
24	Kit Assembly, Switching Valve Actuator Mounting	406605	406605	406606	406606
25	Actuator, 115V50-60	302103	302103	302103	302103
25A	Actuator, 220V50-60	302395	302395	302395	302395
26	Port, Observation	12268	12268	12268	12268
27	Ignition, Spark	403946x011	403946x011	403946x012	403946x012
28	Igniter, Gas Pilot Assembly	405303-001	405303-001	405303-001	405303-001
28A	Gas Pilot	32970x009	32970x009	32970x009	32970x009
29	Adapter, Male (Metric Option)	405010	405010	405010	405010
30	Igniter, ZMI Pilot	84230120	84230120	84230120	84230120
31	Gasket, Tile Cushion	402354	402354	403907	403907
32	Gasket, Tee Flange	300605	300605	300605	300605

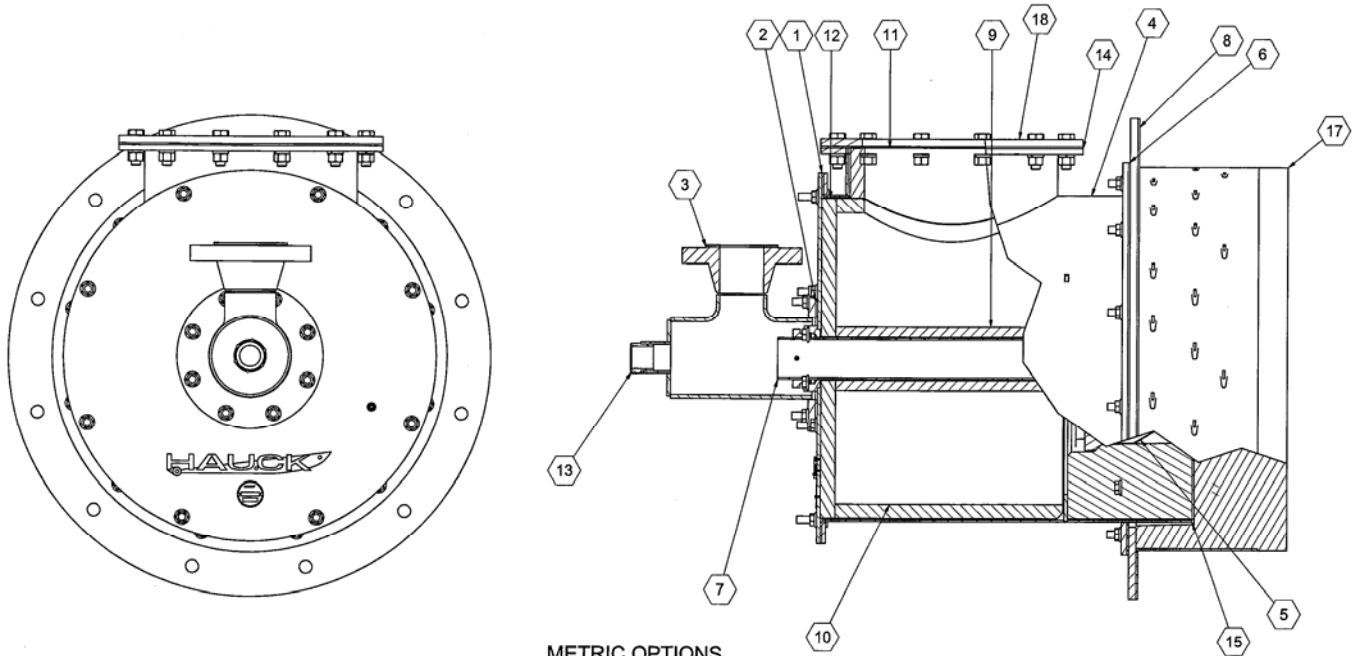


Y8708 Sht. 3  
(NOT TO SCALE)

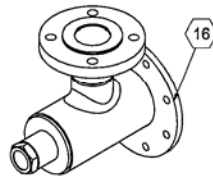


# PARTS LIST

## TriOx TRIPLE AIR STAGED ULTRA LOW NOx BURNER TriOx 3000 AND 4000 SERIES



**METRIC OPTIONS**



Y8691  
(NOT TO SCALE)

**Key**

No.	Description	TriOx 3008	TriOx 4008
1	Gasket, Burner Backplate Mounting	406417	406417
2	Gasket, Tee Assembly	7682	7682
3	Gasket, Tee Flange	300604	300604
4	Body Assembly, Burner Air	406408	406408
5	Nozzle, Burner, Refractory	406414	406414
6	Gasket, Burner, Tile Mounting	406411	406411
7	Tube Assembly, Burner Gas	406413	406413
8	Gasket, Burner, Unit Mounting	402137	402137
9	Insulation Insert, Gas Tube	N/A	406582
10	Insulation Insert, Burner Body	N/A	406581
11	Insulation Insert, Air Inlet	N/A	406580
12	Insulation Insert, Burner Backplate	N/A	401814
13	Port, Observation, 1-1/2 NPT	12268	12268
14	Gasket, Burner Air Valve	401860	401860
15	Gasket, Tile Cushion	401927	401927
16	Tee Assembly, (Metric Option)	406645	406645
17	Tile Assembly	406409	406409
18	Flange, Air Valve (Metric Option)	405064	405064

Key No.	Description	TriOx 3012	TriOx 4012	TriOx 3014	TriOx 4014
1	Gasket, Burner Backplate Mounting	401929	401929	402356	402356
2	Gasket, Tee Assembly	401948	401948	406503	406503
3	Gasket, Tee Flange	300604	300604	300605	300605
4	Body Assembly, Burner Air	406439	406439	406474	406474
5	Nozzle, Burner, Refractory	406425	406425	406501	406501
6	Gasket, Burner, Tile Mounting	406421	406421	406504	406504
7	Tube Assembly, Burner Gas	406423	406423	406506	406506
8	Gasket, Burner, Unit Mounting	402136	402136	402359	402359
9	Insulation Insert, Gas Tube	N/A	406573	N/A	406585
10	Insulation Insert, Burner Body	N/A	406574	N/A	406584
11	Insulation Insert, Air Inlet	N/A	405839	N/A	406583
12	Insulation Insert, Burner Backplate	N/A	401962	N/A	402326
13	Port, Observation, 1-1/2 NPT	12268	12268	12268	12268
14	Gasket, Burner Air Valve	401931	401931	402358	402358
15	Gasket, Tile Cushion	401927	401927	402354	402354
16	Tee Assembly, (Metric Option)	406646	406646	406647	406647
17	Tile Assembly	406418	406418	406500	406500
18	Flange, Air Valve (Metric Option)	401954	401954	402348	402348