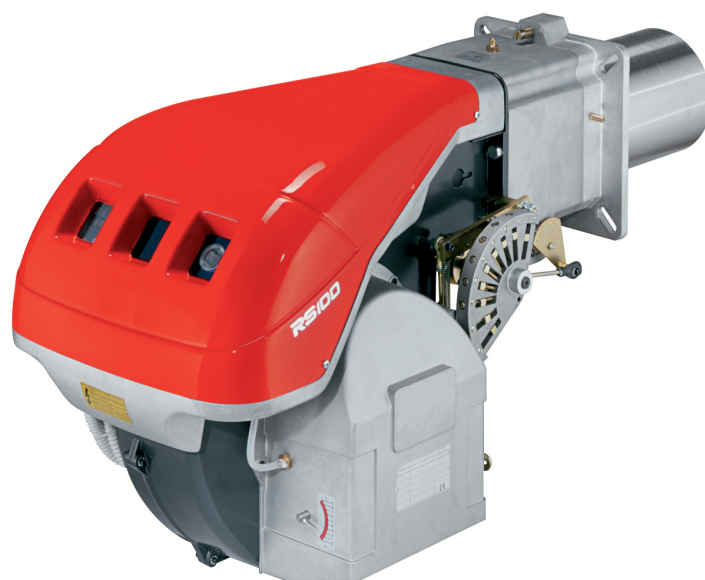


GB **Forced draught gas burners**
E **Quemadores de gas con aire soplado**

Progressive two-stage or modulating operation
Funcionamiento a dos llamas progresivo o modulante

CE

RS



| CODE - CÓDIGO | MODEL - MODELO | TYPE - TIPO |
|-------------------|----------------|-------------|
| 3789600 - 3789610 | RS 70/M | 828T1 |
| 3789601 - 3789611 | RS 70/M | 828T1 |
| 3787082 | RS 70/M | 828T80 |
| 3787083 | RS 70/M | 828T80 |
| 3789700 - 3789710 | RS 100/M | 829T1 |
| 3789701 - 3789711 | RS 100/M | 829T1 |
| 3787282 | RS 100/M | 829T80 |
| 3787283 | RS 100/M | 829T80 |
| 3789800 - 3789810 | RS 130/M | 830T1 |
| 3789801 - 3789811 | RS 130/M | 830T1 |
| 3787482 | RS 130/M | 830T80 |
| 3787483 | RS 130/M | 830T80 |

Declaration of conformity in accordance with ISO / IEC 17050-1

Manufacturer: RIELLO S.p.A.
 Address: Via Pilade Riello, 7
 37045 Legnago (VR)
 Product: Forced draught gas burners
 Model: RS 70/M
 RS 100/M
 RS 130/M

These products are in compliance with the following Technical Standards:

EN 676

EN 12100

and according to the European Directives:

| | | |
|-----|-------------|-------------------------------|
| GAD | 2009/142/EC | Gas Devices Directive |
| MD | 2006/42/EC | Machine Directive |
| LVD | 2006/95/EC | Low Voltage Directive |
| EMC | 2004/108/EC | Electromagnetic Compatibility |

Such products are marked as follows:



CE-0085AQ0708 Classe 1 (EN 676)

The quality is guaranteed by a quality and management system certified in accordance with UNI EN ISO 9001.

Legnago, 03.09.2014

Executive General Manager
 RIELLO S.p.A. - Burner Department

Mr. U. Ferretti

Research & Development Director
 RIELLO S.p.A. - Burner Department

Mr. R. Cattaneo

| Section | | Page |
|----------|---|-----------|
| 1 | Information and general warnings | 3 |
| | 1.1 Information about the instruction manual | 3 |
| | 1.2 Guarantee and responsibility | 3 |
| 2 | Safety and prevention | 4 |
| | 2.1 Introduction | 4 |
| | 2.2 Personnel training | 4 |
| 3 | Technical description of the burner | 5 |
| | 3.1 Burner designation | 5 |
| | 3.2 Models available | 5 |
| | 3.3 Burner categories - Countries of destination | 5 |
| | 3.4 Technical data | 6 |
| | 3.5 Electrical data | 6 |
| | 3.6 Burner weight | 6 |
| | 3.7 Overall dimensions | 7 |
| | 3.8 Firing rates | 8 |
| | 3.9 Burner components | 9 |
| | 3.10 Burner equipment | 9 |
| | 3.11 Control box for the air/fuel ratio | 10 |
| | 3.12 Servomotor | 10 |
| 4 | Installation | 11 |
| | 4.1 Notes on safety for the installation | 11 |
| | 4.2 Handling | 11 |
| | 4.3 Preliminary checks | 11 |
| | 4.4 Operating position | 12 |
| | 4.5 Securing the burner to the boiler | 12 |
| | 4.6 Combustion head adjustment | 14 |
| | 4.7 Assembly of the gas train | 15 |
| | 4.8 Gas feeding line | 16 |
| | 4.9 Electrical wiring | 17 |
| | 4.10 Calibration of the thermal relay | 18 |
| 5 | Start-up, calibration and operation of the burner | 19 |
| | 5.1 Notes on safety for the first start-up | 19 |
| | 5.2 Operations before start-up | 19 |
| | 5.3 Burner start-up | 20 |
| | 5.4 Burner ignition | 20 |
| | 5.5 Burner adjustment | 20 |
| | 5.6 Operation sequence of the burner | 23 |
| | 5.7 Burner flame goes out during operation | 23 |
| | 5.8 Stopping of the burner | 23 |
| | 5.9 Measuring the ionisation current | 24 |
| | 5.10 Checking the air and gas pressure on the combustion head | 24 |
| | 5.11 Final checks (with burner operating) | 24 |
| 6 | Faults - Probable causes - Solutions | 25 |
| | 6.1 Normal operation / flame detection time | 26 |
| 7 | Maintenance | 27 |
| | 7.1 Notes on safety for the maintenance | 27 |
| | 7.2 Maintenance programme | 27 |
| | 7.3 Opening the burner | 28 |
| | 7.4 Closing the burner | 28 |
| A | Appendix - Electrical panel layout | 29 |
| B | Appendix - Accessories (on request) | 35 |
| C | Appendix - Gas supply pressure | 37 |
| D | Appendix - Firing rate on basis of air density | 38 |

1.1 Information about the instruction manual

Introduction

The instruction manual supplied with the burner:

- is an integral and essential part of the product and must not be separated from it; it must therefore be kept carefully for any necessary consultation and must accompany the burner even if it is transferred to another owner or user, or to another system. If the manual is lost or damaged, another copy must be requested from the Technical Assistance Service **RIELLO** of the area;
- is designed for use by qualified personnel;
- offers important indications and instructions relating to the installation safety, start-up, use and maintenance of the burner.

Symbols used in the manual

In some parts of the manual you will see triangular DANGER signs. Pay great attention to these, as they indicate a situation of potential danger.

GENERAL DANGERS

The **dangers** can be of **3 levels**, as indicated below.



Maximum danger level!
This symbol indicates operations which, if not carried out correctly, cause serious injury, death or long-term health risks.



This symbol indicates operations which, if not carried out correctly, may cause serious injury, death or long-term health risks.



This symbol indicates operations which, if not carried out correctly, may cause damage to the machine and/or injury to people.

1.2 Guarantee and responsibility

RIELLO guarantees its new products from the installation date, in accordance with the regulations in force and/or the sales contract. At the moment of the first start-up, check that the burner is integral and complete.



Failure to observe the information given in this manual, operating negligence, incorrect installation and carrying out of non authorised modifications will result in the annulment by **RIELLO** of the guarantee that it supplies with the burner.

In particular, the rights to the guarantee and the responsibility will no longer be valid, in the event of damage to things or injury to people, if such damage/injury was due to any of the following causes:

- incorrect installation, start-up, use and maintenance of the burner;
- improper, incorrect or unreasonable use of the burner;
- intervention of unqualified personnel;
- carrying out of non authorised modifications on the equipment;
- use of the burner with safety devices that are faulty, incorrectly applied and/or not working;

DANGER: LIVE COMPONENTS



This symbol indicates operations which, if not carried out correctly, lead to electric shocks with lethal consequences.

Other symbols



ENVIRONMENTAL PROTECTION

This symbol gives indications for the use of the machine with respect for the environment.



This symbol indicates a list.

Abbreviations used

| | |
|------|---------|
| Ch. | Chapter |
| Fig. | Figure |
| Page | Page |
| Sec. | Section |
| Tab. | Table |

Delivery of the system and the instruction manual

When the system is delivered, it is important that:

- The instruction manual is consigned to the user by the system manufacturer, with the recommendation to keep it in the room where the heat generator is to be installed.
- The instruction manual shows:
 - the serial number of the burner;
 - the address and telephone number of the nearest Assistance Centre;
- The system supplier must carefully inform the user about:
 - the use of the system,
 - any further tests that may be necessary before the system is started up,
 - maintenance and the need to have the system checked at least once a year by the Manufacturer or another specialised technician.
 To ensure a periodic check, **RIELLO** recommends the drawing up of a Maintenance Contract. ➤

- installation of untested supplementary components on the burner;
- powering of the burner with unsuitable fuels;
- faults in the fuel power supply system;
- use of the burner even following an error and/or an irregularity;
- repairs and/or overhauls incorrectly carried out;
- modification of the combustion chamber with inserts that prevent the regular development of the structurally established flame;
- insufficient and inappropriate surveillance and care of those burner components most likely to be subject to wear and tear;
- use of non-original **RIELLO** components, including spare parts, kits, accessories and optionals;
- force majeure.

RIELLO furthermore declines any and every responsibility for the failure to observe the contents of this manual.

2.1 Introduction

The **RIELLO** burners have been designed and built in compliance with current regulations and directives, applying the known technical rules of safety and envisaging all the potential danger situations.

It is necessary, however, to bear in mind that the imprudent and clumsy use of the equipment may lead to situations of death risk for the user or third parties, as well as the damaging of the burner or other items. Inattention, thoughtlessness and excessive confidence often cause accidents; the same applies to tiredness and sleepiness.

It is a good idea to remember the following:

- The burner must only be used as expressly described. Any other use should be considered improper and therefore dangerous.

In particular:

it can be applied to boilers operating with water, steam, diathermic oil, and to other users expressly named by the manufacturer;

the type and pressure of the fuel, the voltage and frequency of the electrical power supply, the minimum and maximum deliveries for which the burner has been regulated, the pressurisation of the combustion chamber, the dimensions of the combustion chamber and the room temperature must all be within the values indicated in the instruction manual.

- Modification of the burner to alter its performance and destinations is not allowed.
- The burner must be used in exemplary technical safety conditions. Any disturbances that could compromise safety must be quickly eliminated.
- Opening or tampering with the burner components is not allowed, apart from the parts requiring maintenance.
- Only those parts envisaged by the manufacturer can be replaced.

2.2 Personnel training

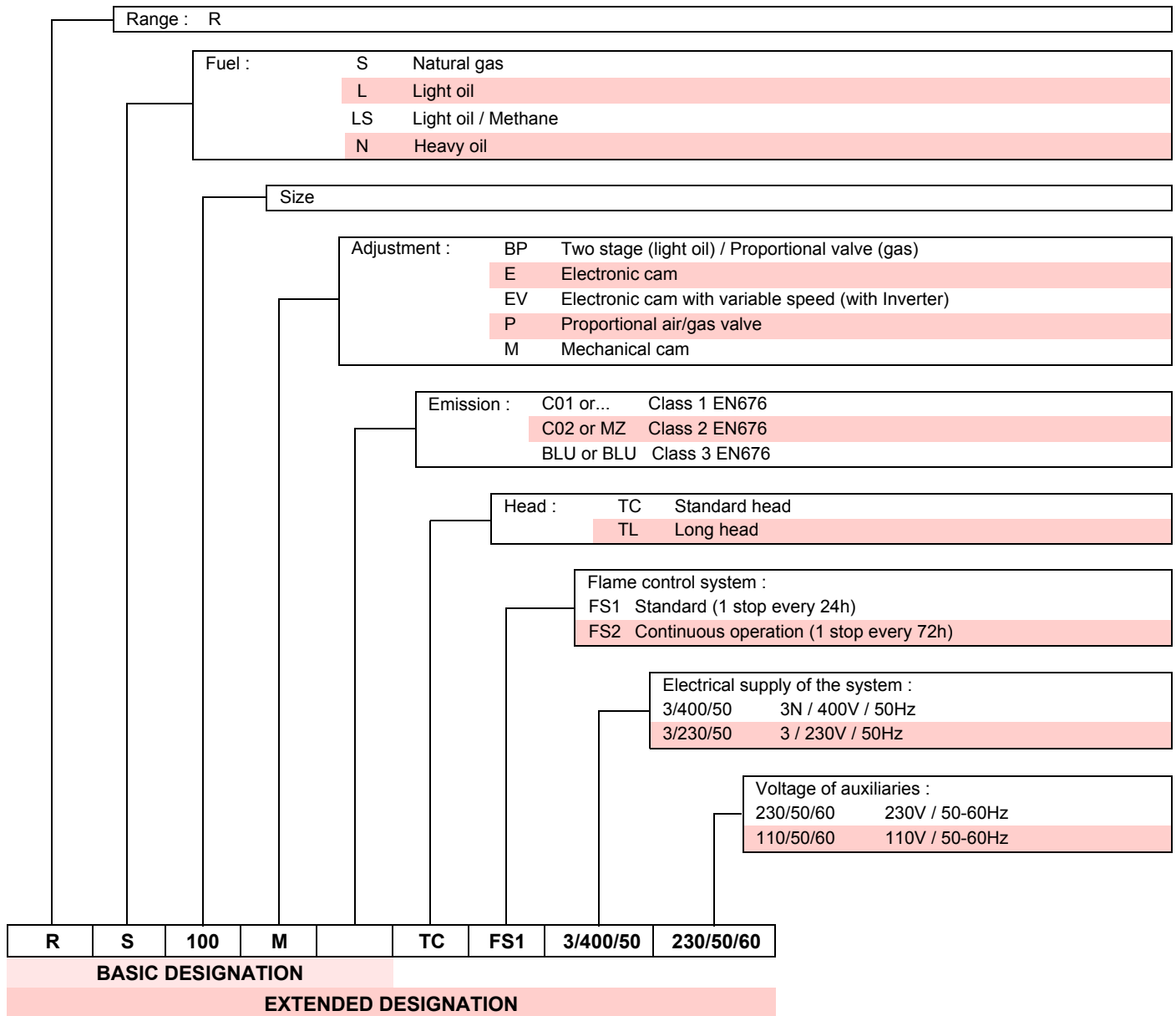
The user is the person, body or company that has acquired the machine and intends to use it for the specific purpose. He is responsible for the machine and for the training of the people working around it.

The user:

- undertakes to entrust the machine exclusively to suitably trained and qualified personnel;
- must take all the measures necessary to prevent unauthorised people gaining access to the machine;
- undertakes to inform his personnel in a suitable way about the application and observance of the safety instructions. With that aim, he undertakes to ensure that everyone knows the use and safety instructions for his own duties;
- must inform the Manufacturer if faults or malfunctioning of the accident prevention systems are noticed, along with any presumed danger situation.

- Personnel must always use the personal protective equipment envisaged by legislation and follow the indications given in this manual.
- Personnel must follow all the danger and caution indications shown on the machine.
- Personnel must not carry out, on their own initiative, operations or interventions that are not within their province.
- Personnel must inform their superiors of every problem or dangerous situation that may arise.
- The assembly of parts of other makes or any modifications can alter the characteristics of the machine and hence compromise operating safety. The manufacturer therefore declines any and every responsibility for any damage that may be caused by the use of non-original parts.

3.1 Burner designation



3.2 Models available

| Designation | | Voltage | Diagnostic | Voltage | Diagnostic |
|-------------|----|-----------------------|-------------------|-----------------------|------------|
| RS 70/M | TC | 3 ~ 400 / 230V - 50Hz | 3789600 - 3789610 | 3 ~ 380 / 220V - 60Hz | 3787082 |
| RS 70/M | TL | 3 ~ 400 / 230V - 50Hz | 3789601 - 3789611 | 3 ~ 380 / 220V - 60Hz | 3787083 |
| RS 100/M | TC | 3 ~ 400 / 230V - 50Hz | 3789700 - 3789710 | 3 ~ 380 / 220V - 60Hz | 3787282 |
| RS 100/M | TL | 3 ~ 400 / 230V - 50Hz | 3789701 - 3789711 | 3 ~ 380 / 220V - 60Hz | 3787283 |
| RS 130/M | TC | 3 ~ 400 / 230V - 50Hz | 3789800 - 3789810 | 3 ~ 380 / 220V - 60Hz | 3787482 |
| RS 130/M | TL | 3 ~ 400 / 230V - 50Hz | 3789801 - 3789811 | 3 ~ 380 / 220V - 60Hz | 3787483 |

3.3 Burner categories - Countries of destination

| Country of destination | Gas category |
|--|--------------|
| BE | I2E(R) - I3 |
| CY - CZ - MT | I3B/P |
| LU - PL | I12E3B/P |
| DE | I12ELL3B/P |
| FR | I12Er3P |
| IT | I12H3 |
| ES - GB - IE - PT | I12H3 |
| AT - CH - CZ - DK - EE - FI - GR - HU - IE IS - LT - NO - SE - SI - SK - TR | I12H3B/P |
| NL | I12L3B/P |

3.4 Technical data

| Model | | | RS 70/M | RS 100/M | RS 130/M | RS 70/M | RS 100/M | RS 130/M |
|---|---------|--------------|--|--------------------------|--------------------------|------------------------|--------------------------|--------------------------|
| Type | | | 828T1 | 829T1 | 830T1 | 828T80 | 829T80 | 830T80 |
| Output ⁽¹⁾ | maximum | kW Mcal/h | 470 - 930 404 - 800 | 700 - 1340 602 - 1152 | 920 - 1600 791 - 1376 | 470 - 930 404 - 800 | 700 - 1340 602 - 1152 | 920 - 1600 791 - 1376 |
| | minimum | kW Mcal/h | 150 129 | 150 129 | 254 218 | 150 129 | 150 129 | 254 218 |
| Fuel | | | Natural gas: G20 - G23 - G25 | | | | | |
| Gas pressure at max. output ⁽²⁾ - Gas: G20/G25 | | mbar | 15.7/22.9 | 15.5/21.9 | 12.7/18.9 | 15.7/22.9 | 15.5/21.9 | 12.7/18.9 |
| Operation | | | Intermittent (min. 1 stop in 24 hours) | | | | | |
| Standard applications | | | Boilers: water. steam. diathermic oil | | | | | |
| Ambient temperature | | °C | 0 - 40 | | | | | |
| Combustion air temperature | | °C max | 60 | | | | | |
| Noise level ⁽³⁾ | | dBA | 75 | 77 | 78.5 | 75 | 77 | 78.5 |

(1) Reference conditions: Ambient temperature 20°C - Gas temperature 15°C - Barometric pressure 1013 mbar - Altitude 0m above sea level.

(2) Pressure upstream of the gas ramp 1)(Fig. 19) as declared by norm EN676, with 0 mbar in the combustion chamber and with the burner at full power.

(3) Sound pressure measured in manufacturer's combustion laboratory, with burner operating on test boiler and at maximum output.

3.5 Electrical data

Motor IE1

| Type | | 828T1 | 829T1 | 830T1 | 828T80 | 829T80 | 830T80 |
|---------------------------|--------------------|--|----------------------|----------------------|--|----------------------|----------------------|
| Electrical supply | | 3 ~ 400V / 230 V 1N ~ 230V +/-10% 50 Hz (See Chap. 3.2) | | | 3 ~ 380V / 220 V 1N ~ 220V +/-10% 60 Hz (See Chap. 3.2) | | |
| Fan motor (rating) | rpm | 2800 | 2830 | 2860 | 3400 | 3500 | 3500 |
| | V | 220/240 - 380/415 | 220/240 - 380/415 | 220/240 - 380/415 | 208/230 - 380/460 | 208/230 - 380/460 | 208/230 - 380/460 |
| Operating current | kW | 1,1 | 1,5 | 2,2 | 1,1 | 2,2 | 2,2 |
| | A | 4,7 - 2,7 | 6,4 - 3,7 | 8,5 - 4,9 | 4,7 - 2,7 | 7,8 - 3,9 | 7,8 - 3,9 |
| Acceleration current | A | 33 - 19 | 48 - 28 | 68 - 39 | 28 - 16 | 43 - 25 | 64 - 37 |
| Ignition transformer | V1 - V2 I1 - I2 | 230 V - 1 x 8 kV 1 A - 20 mA | | | | | |
| Absorbed electrical power | kW max | 1,4 | 1,8 | 2,6 | 1,4 | 1,8 | 2,6 |
| Protection level | | IP 44 | | | | | |

Motor IE2

| Type | | 828T1 | 829T1 | 830T1 | 828T80 | 829T80 | 830T80 |
|---------------------------|--------------------|--|-----------|-----------|--|-----------|-----------|
| Electrical supply | | 3 ~ 400V / 230 V 1N ~ 230V +/-10% 50 Hz (See Chap. 3.2) | | | 3 ~ 380V / 220 V 1N ~ 220V +/-10% 60 Hz (See Chap. 3.2) | | |
| Fan motor (rating) | rpm | 2860 | 2860 | 2860 | 3475 | 3500 | 3500 |
| | V | 230 / 400 | 230 / 400 | 230 / 400 | 220 / 380 | 220 / 380 | 220 / 380 |
| Operating current | kW | 1,1 | 1,5 | 2,2 | 1,1 | 2,2 | 2,2 |
| | A | 4,1 - 2,4 | 5,5 - 3,4 | 7,9 - 4,6 | 4,6 - 2,7 | 8,1 - 4,7 | 8,1 - 4,7 |
| Acceleration current | A | | | | 28 - 18 | 69 - 40 | 69 - 40 |
| Ignition transformer | V1 - V2 I1 - I2 | 230 V - 1 x 8 kV 1 A - 20 mA | | | | | |
| Absorbed electrical power | kW max | 1,4 | 1,8 | 2,6 | 1,4 | 1,8 | 2,6 |
| Protection level | | IP 44 | | | | | |

3.6 Burner weight

The weight of the burner complete with its packaging is shown in table.

| Model | kg |
|----------|----|
| RS 70/M | 70 |
| RS 100/M | 73 |
| RS 130/M | 76 |

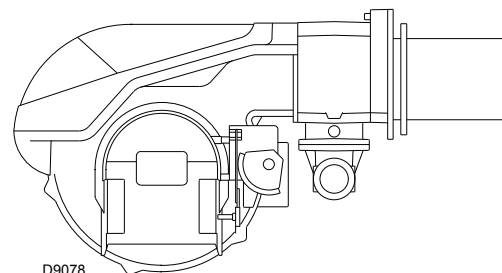


Fig. 1

3.7 Overall dimensions

The dimensions of the burner are shown in Fig. 2.
 Bear in mind that inspection of the combustion head requires the burner to be opened and the rear part drawn back on the guides.
 The dimensions of the open burner are indicated by position I.

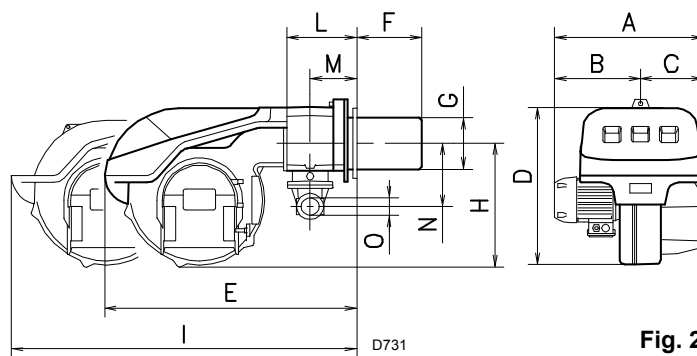
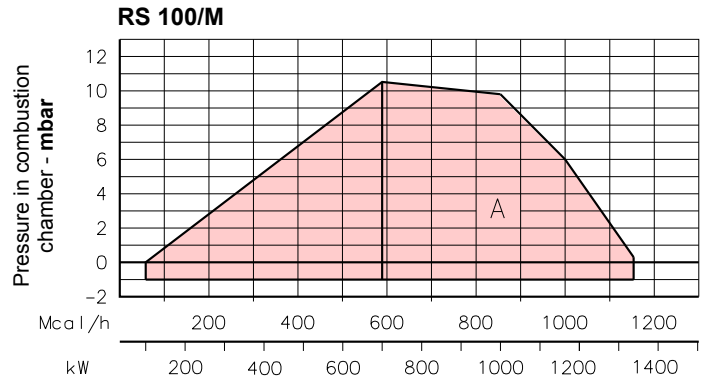
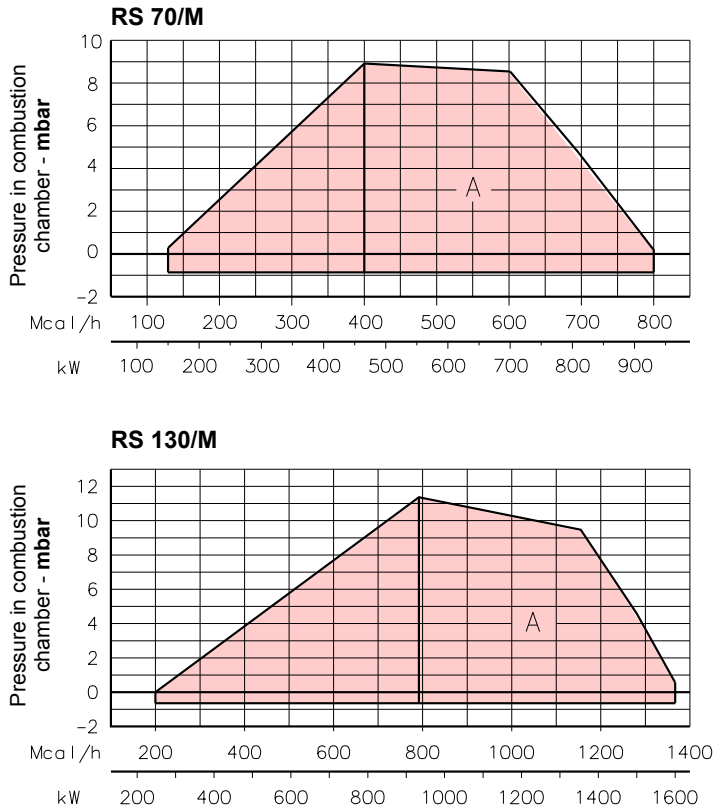


Fig. 2

| mm | A | B | C | D | E | F ⁽¹⁾ | G | H | I ⁽¹⁾ | L | M | N | O |
|----------|-----|-----|-----|-----|-----|------------------|-----|-----|------------------|-----|-----|-----|----|
| RS 70/M | 511 | 296 | 215 | 555 | 840 | 250-385 | 179 | 430 | 1161-1296 | 214 | 134 | 221 | 2" |
| RS 100/M | 527 | 312 | 215 | 555 | 840 | 250-385 | 179 | 430 | 1161-1296 | 214 | 134 | 221 | 2" |
| RS 130/M | 553 | 338 | 215 | 555 | 840 | 280-415 | 189 | 430 | 1161-1296 | 214 | 134 | 221 | 2" |

(1) Blast tube: short-long

3.8 Firing rates



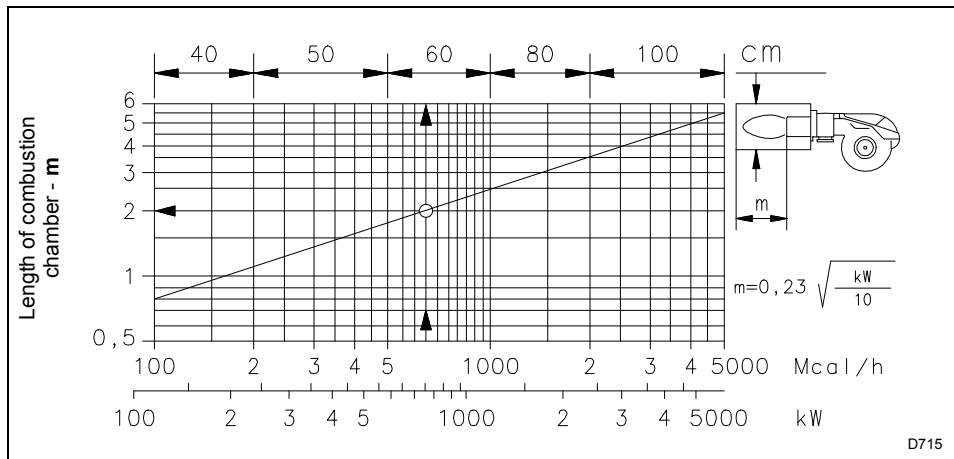
The **maximum output** is chosen within area **A** of the diagram.

The **minimum output** must not be lower than the minimum limit of the diagram.

Warning

The firing rate was obtained considering an ambient temperature of 20°C and an atmospheric pressure of 1013 mbar (approx. 0 m above sea level), with the combustion head adjusted as shown in Ch. 4.6.

Fig. 3



The firing rates were obtained in special test boilers, according to EN 676 regulations.

Fig. 4 indicates the diameter and length of the test combustion chamber.

Example

Output 756 kW (650 Mcal/h):
diameter 60 cm,
length 2m.

The coupling is ensured when the boiler is EC type-approved; for boilers or ovens with combustion chambers of very different dimensions compared to those shown in the diagram of Fig. 4, preliminary checks are recommended.

Fig. 4

3.9 Burner components

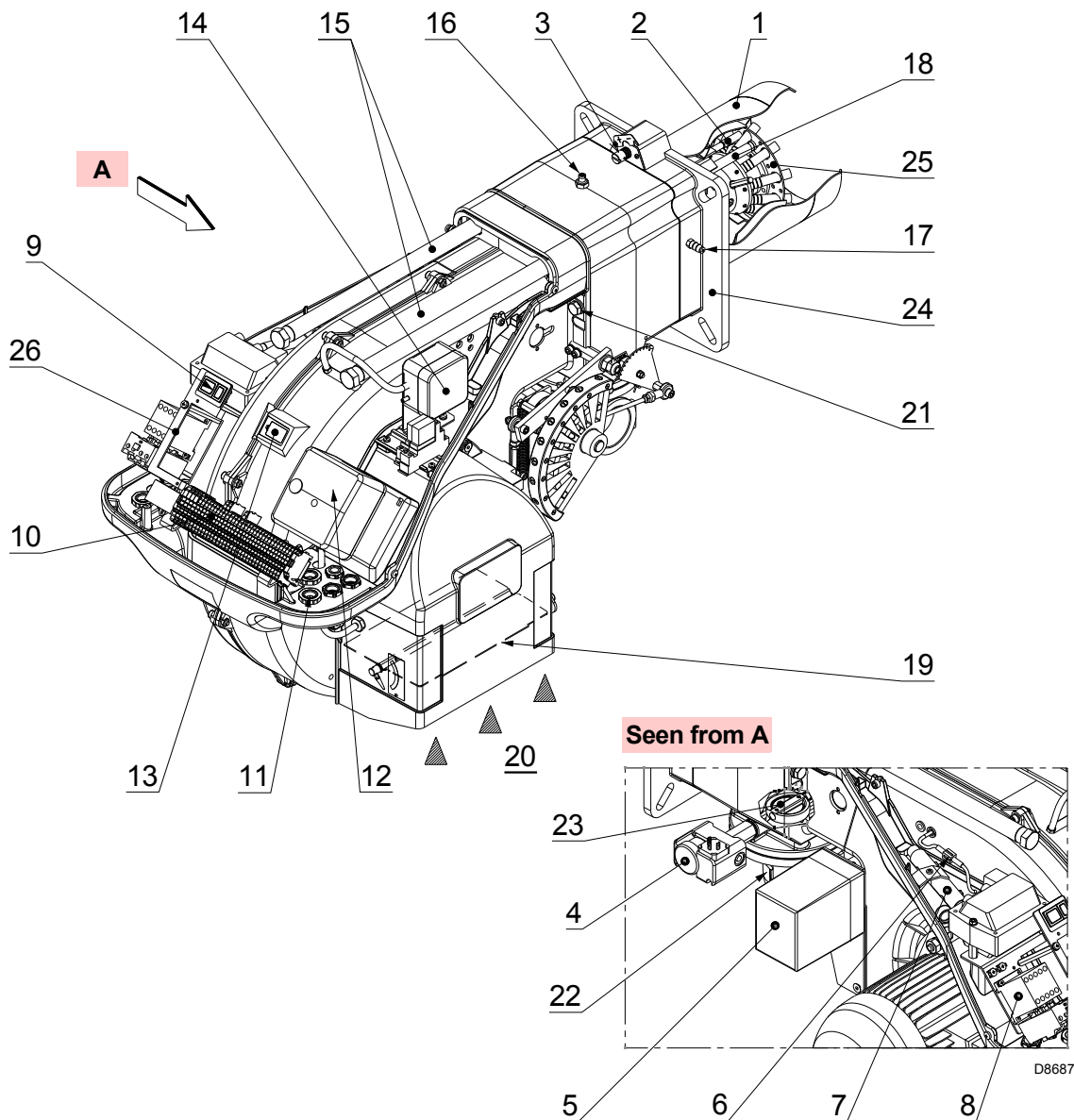


Fig. 5

- | | | | | | |
|---|--|----|---|----|---|
| 1 | Combustion head | 8 | Motor contact maker and thermal relay with reset button | 16 | Gas pressure test point and head fixing screw |
| 2 | Ignition electrode | 9 | Power switch for: automatic - manual - off | 17 | Air pressure socket |
| 3 | Screw for combustion head adjustment | 10 | Terminal board for electrical wiring | 18 | Flame sensor probe |
| 4 | Maximum gas pressure switch | 11 | Cable grommets for electrical wiring (to be carried out by the installer) | 19 | Air damper |
| 5 | Servomotor controlling the gas butterfly valve and the air damper valve (by means of an adjustable profile cam mechanism). When the burner is not operating the air gate valve is fully closed in order to reduce heat dispersion from the boiler due to the flue draught which draws air from the fan suction inlet. | 12 | Control box with lockout pilot light and lockout reset button | 20 | Fan air inlet |
| 6 | Plug-socket on ionisation probe cable | 13 | Flame inspection window | 21 | Screws to secure fan to pipe coupling |
| 7 | Extensions for slide bars 15) | 14 | Air pressure switch (differential operating type) | 22 | Gas input pipe |
| | | 15 | Slide bars for opening the burner and inspecting the combustion head | 23 | Gas butterfly valve |
| | | | | 24 | Boiler fixing flange |
| | | | | 25 | Flame stability disc |
| | | | | 26 | Bracket for application of output power regulator RWF40 |

3.10 Burner equipment

The burner is supplied complete with:

- Gas train flange
- Flange gasket
- 4 screws to fix the M8x25 flange
- Thermal insulation screen
- Extensions 7) per guides 15): only TL versions

- 4 screws to fix the M12x35 burner flange to the boiler
- Instruction manual
- Spare parts list

3.11 Control box for the air/fuel ratio

Introduction

The RMG/M 88.62... control box included in burners of **RS** range is designed to control and start up forced draught gas burners with intermittent operation.

In compliance with:

- Technical Standard EN676 (gas burners)
- Technical Standard EN298 (gas appliances)



Fig. 6



All the installation, maintenance and disassembly operations must be carried out with the electricity supply disconnected. To avoid damaging things or injuring people, do not open or alter the control box.



The installation of the burner must be carried out by qualified personnel, in compliance with the standards and regulations of the laws in force.

Technical Data

| | |
|--|--------------------------------|
| Electrical supply | AC 220.....240V +10% / -15% |
| Frequency | 50.....60 Hz +/- 6% |
| Internal fuse | T6,3H250V |
| Operation below the nominal value of electrical supply | |
| Minimum operation value on reduction of electrical supply below nominal value | approx. AC 160 V |
| Minimum operation value on increase in electrical supply towards nominal value | approx. AC 175 V |
| Maximum load of the contacts: | |
| Alarm exit | |
| Nominal power supply | AC 230V, 50/60 Hz |
| Maximum current | 0.5 A |

| | |
|------------------------------------|-----------------------|
| Allowed cable length | |
| Thermostat | max. 20 m at 100 pF/m |
| Air pressure switch | max. 1 m at 100 pF/m |
| CPI | max. 1 m at 100 pF/m |
| Gas pressure switch | max. 20 m at 100 pF/m |
| Flame detector | max. 1 m |
| Remote reset | max. 20 m at 100 pF/m |
| M4 screws tightening torque | max. 0.8 Nm |

3.12 Servomotor

The servomotor provides simultaneous adjustment for the air damper, by means of the adjustable profile cam and the gas butterfly valve. The servomotor rotates by 130° in 42 seconds.



Do not alter the factory setting for the 5 cams; simply check that they are set as indicated below:

Cam I: 130°

Limits rotation toward maximum position.

When the burner is at MAX output, the gas butterfly valve must be fully open: 90°.

Cam II: 0°

Limits rotation toward minimum position.

When the burner is shut down, the air damper and gas butterfly valve must be closed: 0°.

Cam III: 30°

Adjusts the ignition position and the MIN output.

Cam V: integrated to cam III.

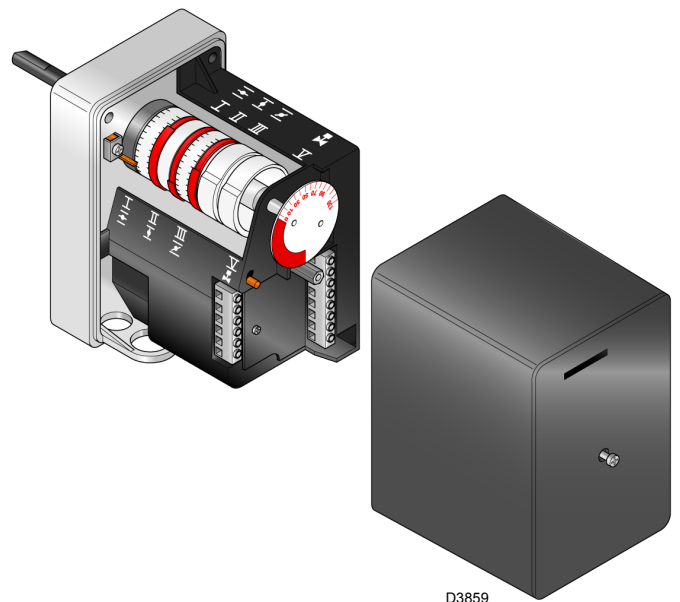




Fig. 7

4.1 Notes on safety for the installation

After carefully cleaning all around the area where the burner will be installed, and arranging the correct lighting of the environment, proceed with the installation operations.




All the installation, maintenance and disassembly operations must be carried out with the electricity supply disconnected.




The installation of the burner must be carried out by qualified personnel, as indicated in this manual and in compliance with the standards and regulations of the laws in force.

4.2 Handling

The packaging of the burner includes a wooden platform, so it is possible to move the burner (still packaged) with a transpallet truck or fork lift truck.




The handling operations for the burner can be highly dangerous if not carried out with the greatest attention: keep any unauthorised people at a distance; check the integrity and suitability of the available means of handling. Check also that the area in which you are working is empty and that there is an adequate escape area (i.e. a free, safe area to which you can quickly move if the burner should fall). During the handling, keep the load at not more than 20-25 cm from the ground.




After positioning the burner near the installation point, correctly dispose of all residual packaging, separating the various types of material. Before proceeding with the installation operations, carefully clean all around the area where the burner will be installed.

4.3 Preliminary checks

Checking the consignment



After removing all the packaging, check the integrity of the contents. In the event of doubt, do not use the burner; contact the supplier.



The packaging elements (wooden cage or cardboard box, nails, clips, plastic bags, etc.) must not be abandoned as they are potential sources of danger and pollution; they should be collected and disposed of in the appropriate places.

Checking the characteristics of the burner


Check the identification label of the burner, showing:

- the model (see **A** in Fig. 8) and type of burner (**B**);
 - the year of manufacture, in cryptographic form (**C**);
 - the serial number (**D**);
 - the data for electrical supply and the protection level (**E**);
 - the electrical input power (**F**);
 - the types of gas used and the relative supply pressures (**G**);
 - the data of the burner's minimum and maximum output possibilities (**H**) (see Firing rate)
- Warning.** The burner output must be within the boiler's firing rate;
- the category of the device/countries of destination (**I**).

| | | | | |
|---|---|--|------------------------------------|---|
| RBL | A | | B | C |
| D | E | | F | |
| GAS-KAASU <input checked="" type="checkbox"/> | G | | H | |
| GAZ-AEPIO | G | | H | |
| I | | | RIELLO SpA I-37045 Legnago (VR) | |
| [Barcode] | | | CE 0085 | |

Fig. 8

D7738



A burner label that has been tampered with, removed or is missing, along with anything else that prevents the definite identification of the burner and makes any installation or maintenance work difficult.

4.4 Operating position

The burner is designed to operate only in the positions **1, 2, 3 and 4**.

Installation **1** is preferable, as it is the only one that allows the maintenance operations as described in this manual. Installations **2, 3 and 4** permit operation but make maintenance and inspection of the combustion head more difficult.

Any other position could compromise the correct operation of the appliance. Installation **5** is prohibited for safety reasons.

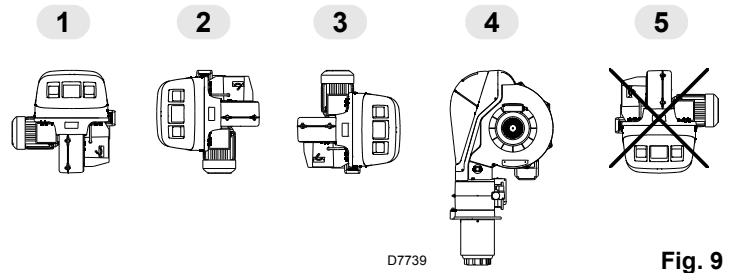


Fig. 9

4.5 Securing the burner to the boiler

Preparing the boiler

Boring the boiler plate

Make holes in the plate shutting off the combustion chamber, as illustrated in Fig. 10. The position of the threaded holes can be marked using the thermal insulation screen supplied with the burner.

| mm | A | B | C |
|----------|-----|-----------|------|
| RS 70/M | 185 | 275 - 325 | M 12 |
| RS 100/M | 185 | 275 - 325 | M 12 |
| RS 130/M | 185 | 275 - 325 | M 12 |

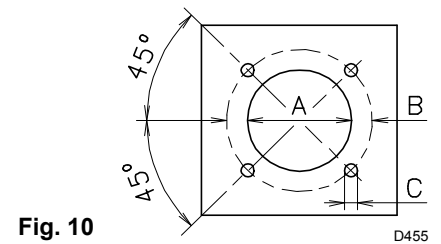


Fig. 10

Length of the blast tube

The length of the blast tube must be selected according to the indications provided by the manufacturer of the boiler, and in any case it must be greater than the thickness of the boiler door complete with its refractory. The available lengths L are those indicated in the table below.

| Blast tube | short | long |
|------------|--------|--------|
| RS 70/M | 250 mm | 385 mm |
| RS 100/M | 250 mm | 385 mm |
| RS 130/M | 280 mm | 415 mm |

For boilers with front flue passes (15) or flame inversion chamber, a protection in refractory material (13) must be inserted between the boiler fitting (14) and the blast tube (12).

This protection must not compromise the extraction of the blast tube. See Fig. 11.

For boilers with a water-cooled frontal, a refractory lining (13)-14) is not necessary unless expressly requested by the boiler manufacturer.

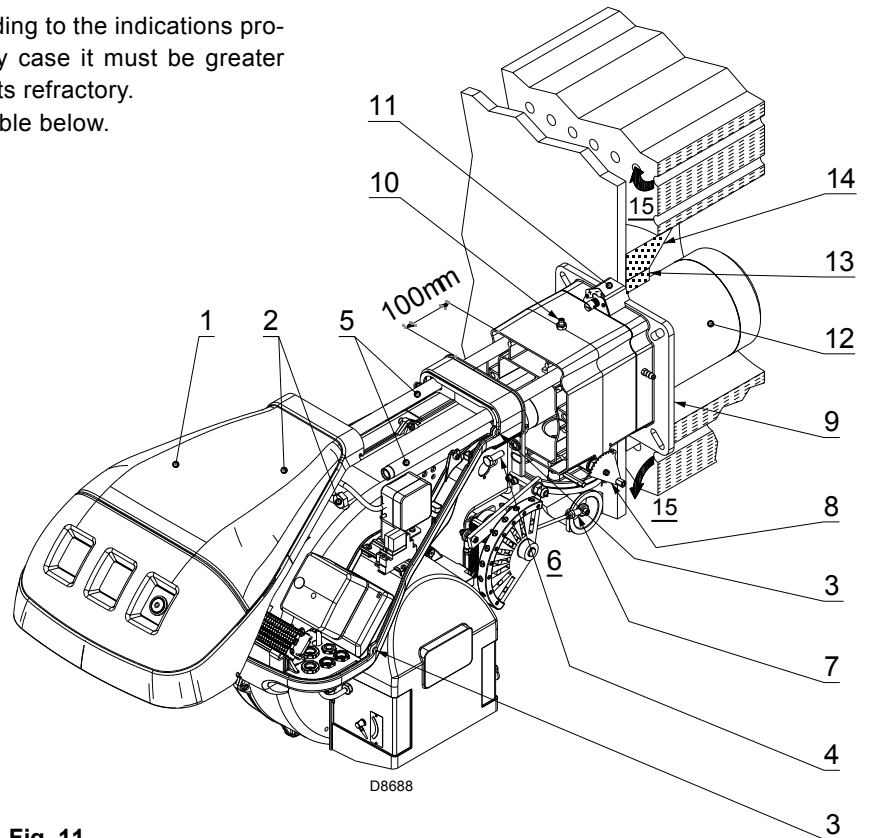


Fig. 11

Securing the burner to the boiler

Before fixing the burner to the boiler, check from the opening of the blast tube that the probe and the electrode are correctly positioned, as in Fig. 12.

If, in the previous check, the position of the probe or electrode was not correct, remove the screw 1)(Fig. 13), extract the inner part 2)(Fig. 13) of the head, and adjust them.

Do not rotate the probe: leave it as in Fig. 12 since if it is located too close to the ignition electrode, the control box amplifier may be damaged.

Separate the combustion head from the rest of the burner, Fig. 11.

To do this, proceed as follows:

- loosen the 4 screws 3) and remove the hood 1);
- disengage the articulated coupling 7) from the graduated sector 8);
- remove screws 2) from the two slide bars 5);
- remove the 2 screws 4) and pull the burner back on slide bars 5) by about 100 mm;
- disconnect the probe and electrode cables, then slide off the burner completely from the slide bars.

Once this operation has been carried out, fix the flange 11)(Fig. 11) to the boiler plate, interposing the insulating gasket 9)(Fig. 11) supplied.

Use the 4 screws supplied, with a tightening torque of 35 - 40 Nm, after protecting their thread with anti-seize products.

The seal between burner and boiler must be airtight. After the start-up (see Ch. 5.3), check there is no leakage of flue gases into the external environment.

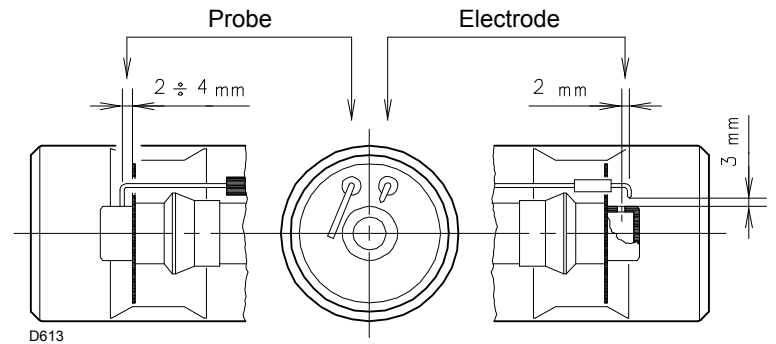


Fig. 12

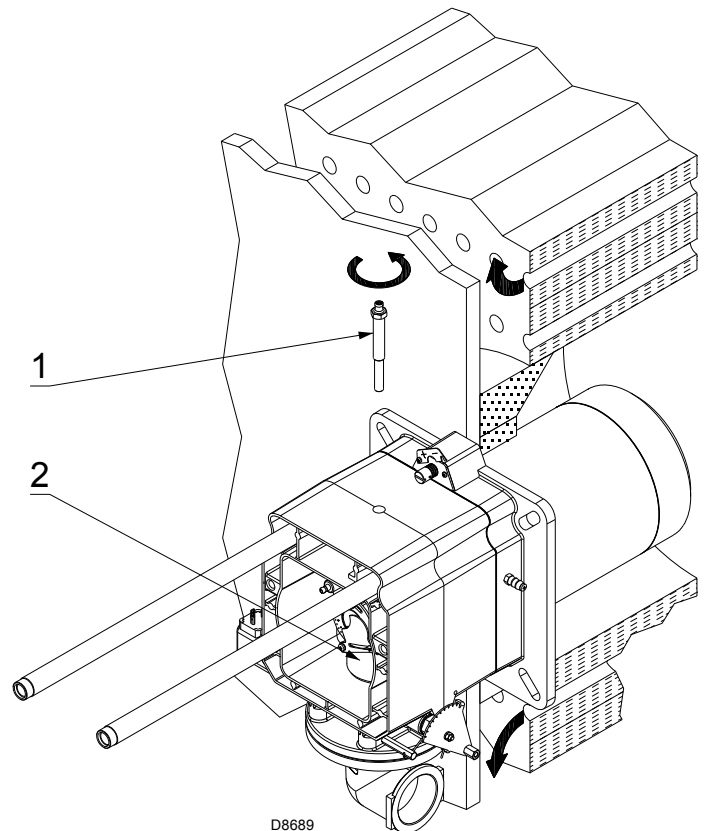


Fig. 13

4.6 Combustion head adjustment

At this point of the installation, the combustion head is fixed to the boiler as shown in Fig. 13.

Its adjustment is therefore particularly easy, which depends solely on the maximum burner output.

Two adjustments of the head are foreseen:

- ▶ the air adjustment;
- ▶ the gas adjustment.

In the diagram of Fig. 16, find the notch at which to adjust both air and central gas/air.

Air adjustment

Rotate the screw 2) until the notch you have found corresponds with the front surface 1) of the flange.



Important

To facilitate adjustment, loosen the screw 3) (Fig. 14), adjust and then lock.

Gas adjustment

Loosen the 4 screws) and rotate the ring nut 5) until the notch you have found corresponds with the index 3) (Fig. 14).

Block the 3 screws 4).

Example

RS 70/M, burner output = 600 kW.

According to diagram Fig. 16 the gas and air adjustments for this output are carried out on notch 4.

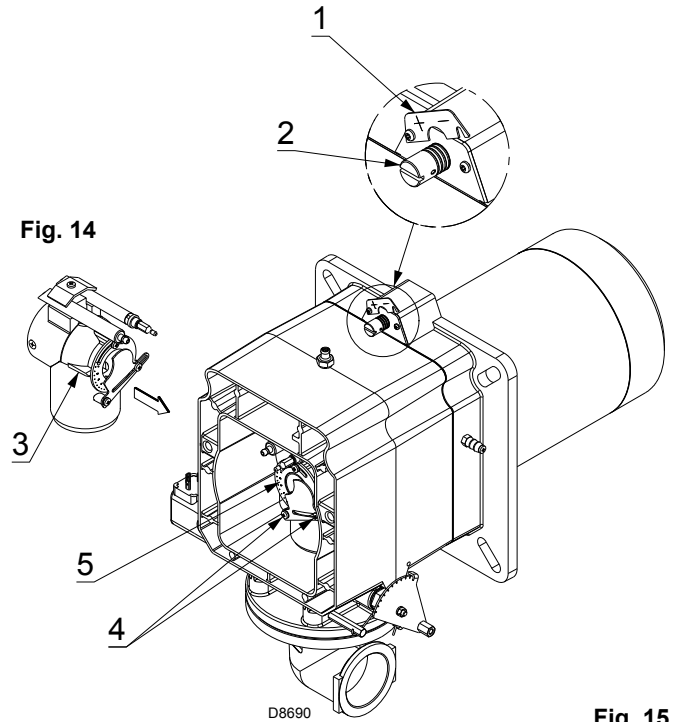


Fig. 15

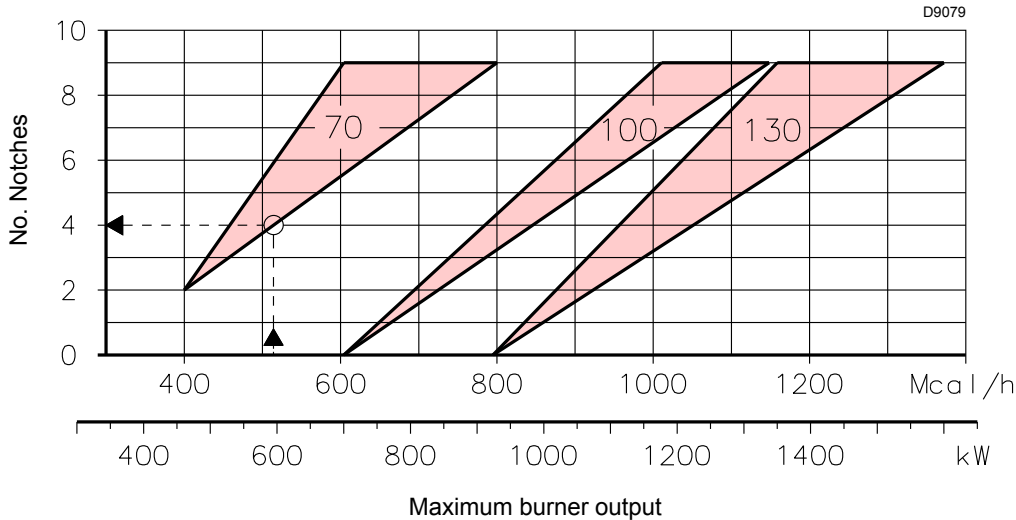


Fig. 16

NOTE

The diagram indicates the optimum adjustment for a type of boiler according to Fig. 4. The adjustments indicated can be modified during the initial start-up.

Once the combustion head adjustment is completed:

- reassemble the burner on the guides 3) at about 100 mm from the pipe coupling 4) - burner in the position shown in Fig. 11;
- insert the probe and electrode cables, then slide the burner as far as the pipe coupling - burner in the position shown in Fig. 17;
- connect the socket of the maximum gas pressure switch;
- refit the screws 2) on the slide bars 3);

- fix the burner to the pipe coupling with the screws 1).
- re-couple the articulated coupling 7) to the graduated sector 6).



When fitting the burner on the two guides, it is advisable to gently draw out the high voltage cable and flame detection probe cable until they are slightly taut.

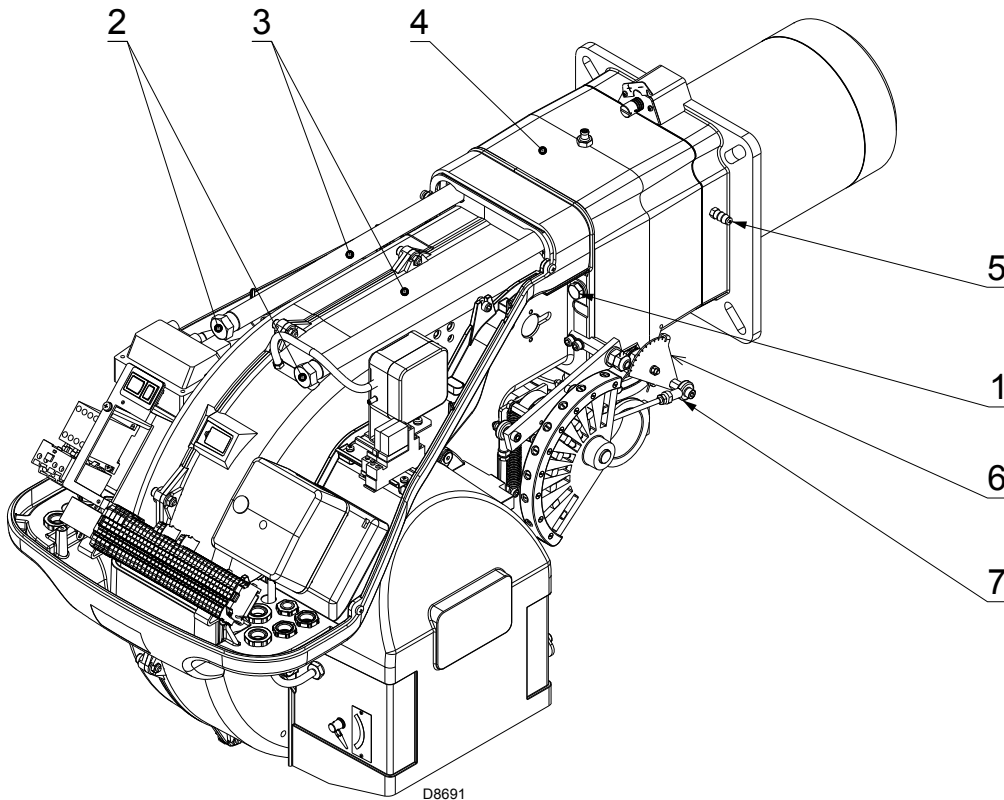


Fig. 17

4.7 Assembly of the gas train

- The gas train is type-approved according to standard EN 676 and is supplied separately from the burner.
- The gas train can enter the burner from the right or left side, depending on which is the most convenient, see Fig. 18.
- The gas train must be connected to the gas attachment 1)(Fig. 18) with the flange 2), the gasket 3) and the screws 4) supplied with the burner.
- The gas solenoids must be as close as possible to the burner, to ensure that the gas reaches the combustion head within the safety time of 3 s.
- Ensure that the maximum pressure necessary for the burner is included in the calibration field of the pressure adjuster.

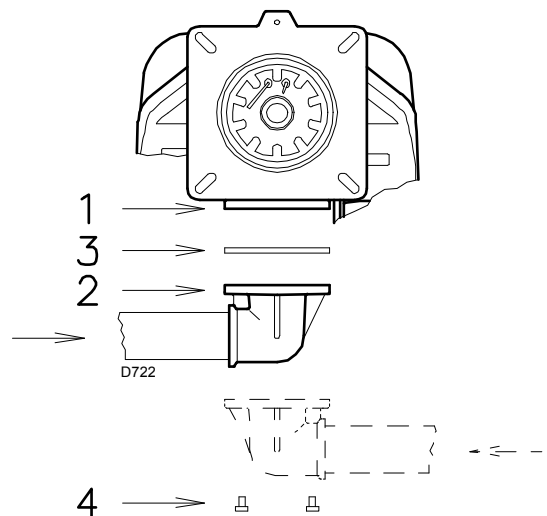


Fig. 18



See the accompanying instructions for the adjustment of the gas train.

4.8 Gas feeding line



Explosion danger due to fuel leaks in the presence of a flammable source.

Precautions: avoid knocking, attrition, sparks and heat.

Make sure that the fuel interception tap is closed before performing any operation on the burner.



The fuel supply line must be installed by qualified personnel, in compliance with current standards and laws.

Key (Fig. 19)

- 1 Gas input pipe
- 2 Manual valve
- 3 Vibration damping joint
- 4 Pressure gauge with pushbutton cock
- 5 Filter
- 6A Includes:
 - Filter
 - working valve
 - safety valve
 - pressure adjuster
- 6C Includes
 - safety valve
 - working valve
- 6D Includes:
 - safety valve
 - working valve
- 7 Minimum gas pressure switch
- 8 Leak detection device, supplied as an accessory or incorporated, based on the gas train code. In compliance with the EN 676 standard, the leak detection control is compulsory for burners with maximum outputs over 1200 kW.
- 9 Gasket, for "flanged" versions only
- 10 Pressure adjuster
- 11 Train-burner adaptor, supplied separately
- P2 Upstream pressure of valves/adjuster
- P3 Upstream pressure of the filter
- L Gas train supplied separately
- L1 The responsibility of the installer

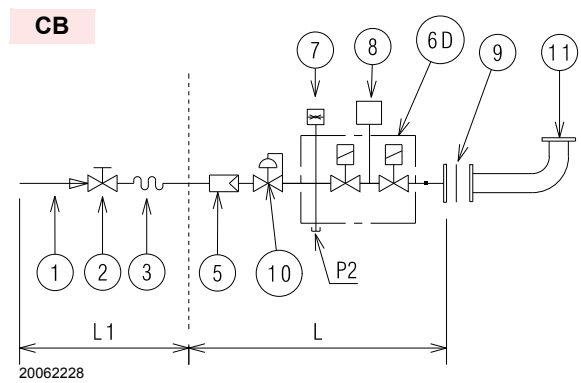
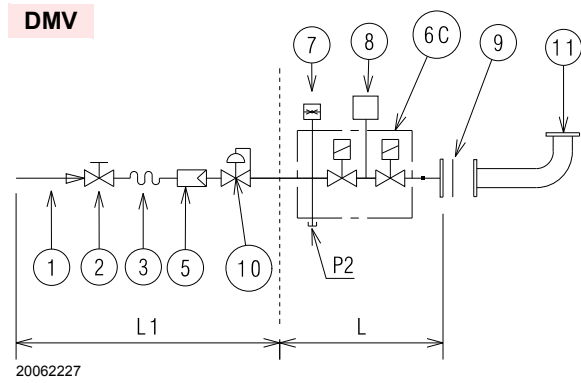
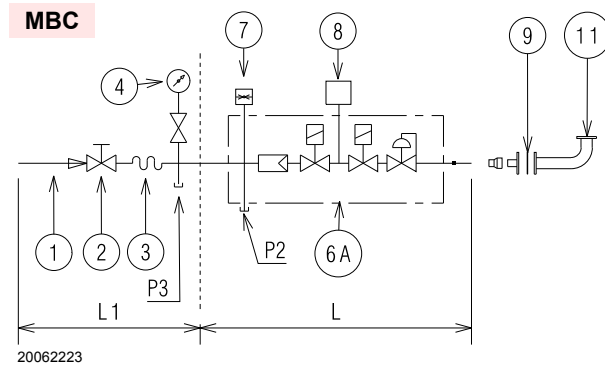
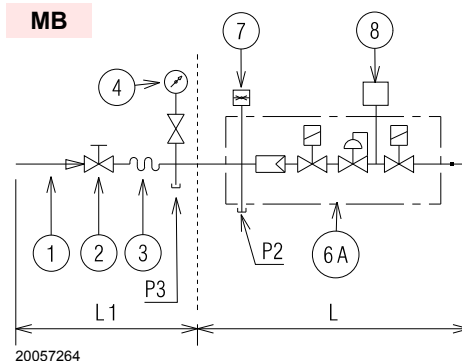


Fig. 19

4.9 Electrical wiring

Notes on safety for the electrical wiring

- The electrical wiring must be carried out with the electrical supply disconnected.
- Electrical wiring must be carried out by qualified personnel and in compliance with the regulations currently in force in the country of destination. Refer to the electrical layouts given in Appendix A.
- **RIELLO** declines all responsibility for modifications or connections different from those shown in the electrical layouts.
- Check that the electrical supply of the burner corresponds to that shown on the identification label and in this manual. See Fig. 8.
- Do not invert the neutral with the phase in the electrical supply line. Any inversion would cause a lockout due to firing failure.
- The burners RS 70-100-130/M have been type-approved for intermittent operation. This means they should compulsorily be stopped at least once every 24 hours to enable the control box to perform checks of its own start-up efficiency. Normally, burner stopping is guaranteed by the boiler's thermostat/pressure switch. If this is not the case, a time switch should be fitted in series to IN to provide for burner shutdown at least once every 24 hours. Refer to the electrical layouts given in Appendix A.
- The electrical safety of the device is obtained only when it is correctly connected to an efficient earthing system, made according to current standards. It is necessary to check this fundamental safety requirement. In the event of doubt, have the electrical system checked by qualified personnel. Do not use the gas tubes as an earthing system for electrical devices.
- The electrical system must be suitable for the maximum input power of the device, as indicated on the label and in the manual, checking in particular that the section of the cables is suitable for the input power of the appliance.
- For the main power supply of the device from the electricity mains:
 - do not use adapters, multiple sockets or extensions;
 - use an omnipolar switch with an opening of at least 3 mm between the contacts, as indicated by the current safety standards.
- Do not touch the device with wet or damp body parts and/or in bare feet.
- Do not pull the electric cables.



If the hood is still present, remove it and proceed with the electrical wiring according to the layouts shown in Appendix A.

Use flexible cables in compliance with the EN 60 335-1 standard.

All the cables to be connected to the burner must be threaded through cable grommets.

See Fig. 20.

The use of the cable grommets can take various forms. By way of example we indicate the following mode:

- 1 - Three-phase power supply
- 2 - Single phase power supply
- 3 - Gas valves
- 4 - Gas pressure switch or the valve leak detection device
- 5 - Consents/safety
- 6 - Available

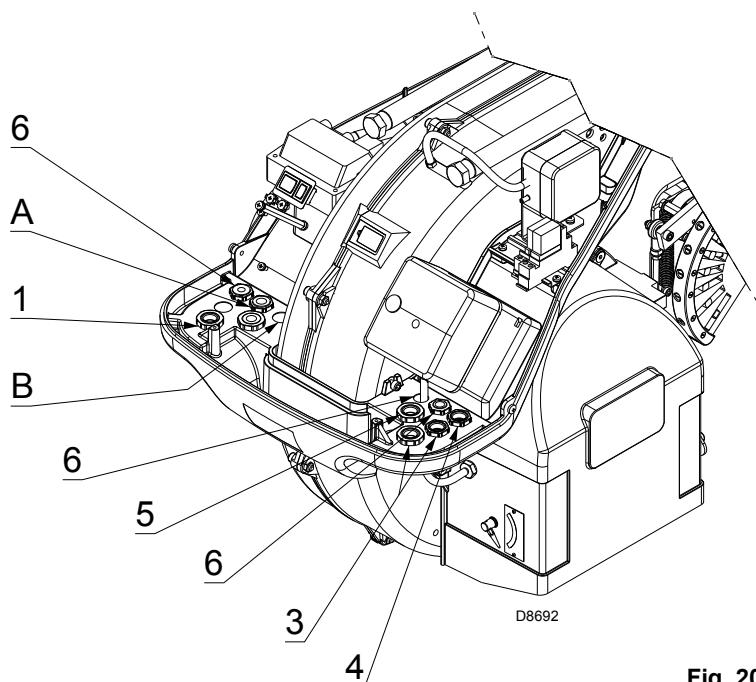


Fig. 20

4.10 Calibration of the thermal relay

The thermal relay serves to avoid damage to the motor due to an excessive absorption increase or if a phase is missing.

Refer to the table in wiring diagram No. 5 of Appendix A for the calibration.

The protection is in any case ensured even if the minimum value of the thermal relay scale is over the rating absorption of the motor.

This occurs when the motor power supply is 400 V / 460V.

To reset, in case of an intervention of the thermal relay, press button 1) of Fig. 21.

Voltage 3 ~ 400 / 230V - 50Hz

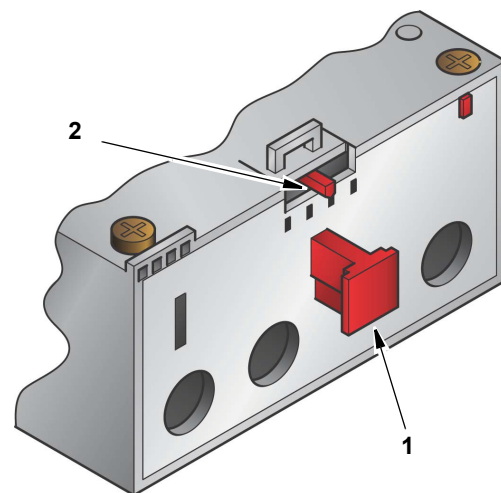
The RS 70-100-130/M models leave the factory pre-set for **400 V** power supply.

If **230 V** power supply is used, change the motor connection from star to delta and change the setting of the thermal relay as well.

Voltage 3 ~ 460 / 230V - 60Hz

The RS 70-100-130/M models leave the factory precept for **380-460V** power supply.

If **208-230V** power supply is used, change the motor connection (from star to delta) and change the setting of the thermal relay as well.



D8267

Fig. 21

5.1 Notes on safety for the first start-up



The first start-up of the burner must be carried out by qualified personnel, as indicated in this manual and in compliance with the standards and regulations of the laws in force.



Check the correct working of the adjustment, command and safety devices.

5.2 Operations before start-up

- Ensure that the gas supply company has carried out the supply line vent operations, eliminating air or inert gases from the piping.
- Slowly open the manual valves situated upstream the gas train.
- Adjust the minimum gas pressure switch (Fig. 22) to the start of the scale.
- Adjust the maximum gas pressure switch (Fig. 23) to the end of the scale.
- Adjust the air pressure switch (Fig. 24) to the start of the scale.

Minimum gas pressure switch

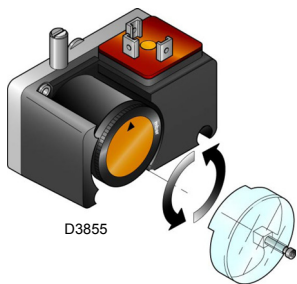


Fig. 22

Maximum gas pressure switch

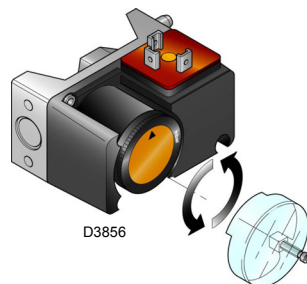


Fig. 23

Air pressure switch



Fig. 24

- Check the gas supply pressure by connecting a pressure gauge to the pressure test point 1)(Fig. 25) of the minimum gas pressure switch: it must be lower than the maximum allowed pressure of the gas train, as shown on the characteristics label.



An excessive gas pressure can damage the components of the gas train and lead to a risk of explosion.

- Bleed the air from the piping of the gas train, connecting a plastic tube to the pressure test point 1)(Fig. 25) of the minimum gas pressure switch. Take the vent tube outside the building so you can notice the smell of gas.
- Connect two lamps or testers to the two gas line solenoids to check the exact moment at which voltage is supplied. This operation is unnecessary if each of the two solenoids is equipped with an indicator light that signals voltage passing through.



Before starting up the burner, it is good practice to adjust the gas train so that ignition takes place in conditions of maximum safety, i.e. with gas delivery at the minimum.

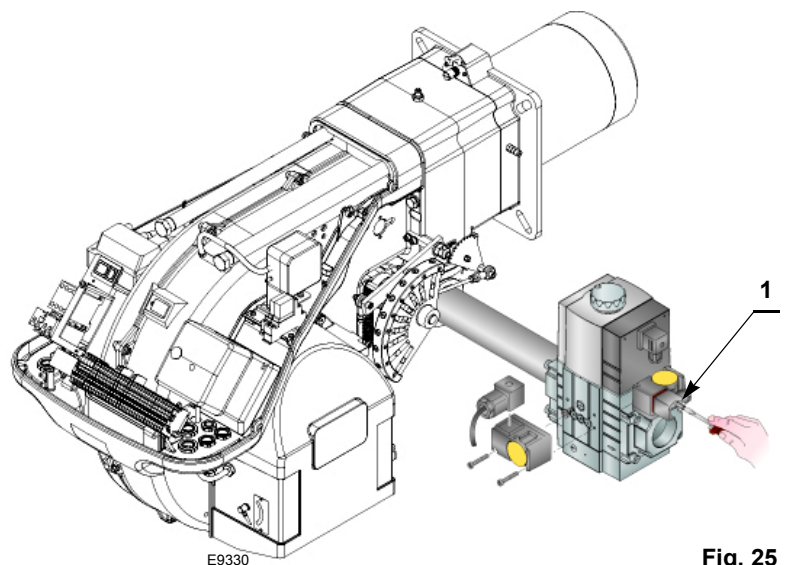


Fig. 25

5.3 Burner start-up

Feed electricity to the burner via the disconnecting switch on the boiler panel.

Close the thermostats/pressure switches and turn the switch of Fig. 27 to position “MAN”.

DANGER Make sure that the lights or testers connected to the solenoids, or the pilot lights on the solenoids themselves, indicate that no voltage is present. If voltage is present, stop the burner **immediately** and check the electrical wiring.

As soon as the burner starts, check the direction of rotation of the fan blade, looking through the flame inspection window.

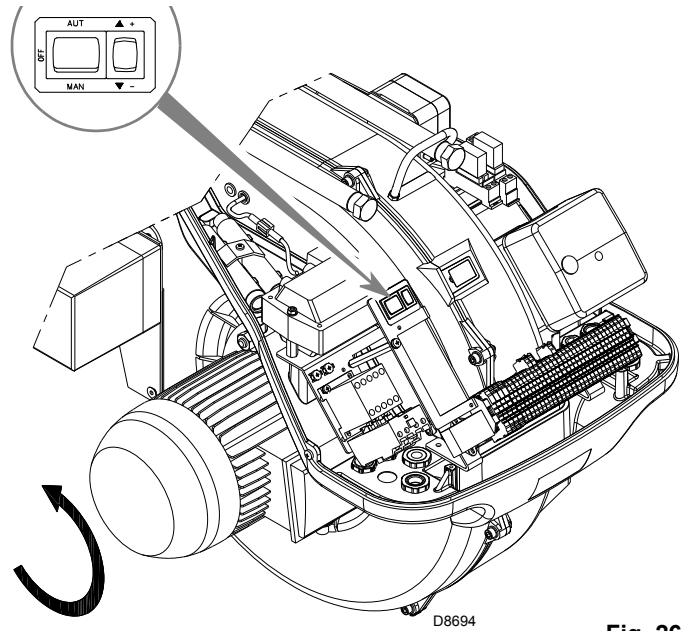


Fig. 26

5.4 Burner ignition

Having completed the checks indicated in the previous heading, ignition of the burner should be achieved. If the motor starts but the flame does not appear and the control box goes into lockout, reset and wait for a new ignition attempt.

If ignition is still not achieved, it may be that gas is not reaching the combustion head within the safety time period of 3 seconds. In this case increase gas ignition delivery.

The arrival of gas to the pipe coupling is shown by the pressure gauge.

Once the burner has ignited, proceed with the global adjustment of the burner.

5.5 Burner adjustment

The optimum adjustment of the burner requires an analysis of flue gases at the boiler outlet.

Adjust in sequence:

- Ignition output
- Maximum output
- Minimum output
- Intermediate outputs between Min. and Max
- Air pressure switch
- Maximum gas pressure switch
- Minimum gas pressure switch

Ignition output

According to EN 676 standard:

Burners with MAX output up to 120 kW

Ignition can occur at the maximum operation output level.

Example:

- max. operation output: 120 kW
- max. ignition output: 120 kW

Burners with MAX output above 120 kW

Ignition must occur at a lower output than the max. operation output.

If ignition output does not exceed 120 kW, no calculations are required. If ignition output exceeds 120 kW, the regulatory standard sets that the value be defined according to the control box safety time "ts":

for "ts" = 3s, ignition output must be equal to or less than 1/3 of the max. operation output.

Example

MAX operation output of 450 kW.

The ignition output must be equal to or less than 150 kW with ts = 3s.

In order to measure the ignition output:

- disconnect the plug-socket 6)(Fig. 5) on the ionisation probe cable (the burner will fire and then go into lockout after the safety time has elapsed);
- perform 10 ignitions with consecutive lockouts;
- on the meter, read the quantity of gas burned: this quantity must be equal to, or lower than, the quantity given by the formula, for ts = 3s:

$$Vg = \frac{Qa \text{ (max. burner delivery)} \times n \times ts}{3600}$$

Vg: volume supplied in ignitions carried out (Sm³)

Qa: ignition delivery (Sm³/h)

n: number of ignitions (10)

ts: safety time (sec)

Example for gas G 20 (9.45 kWh/Sm³):

ignition output 150 kW

corresponding to 15.87 Sm³/h.

After 10 ignitions with their lockouts, the delivery indicated on the meter must be equal to or less than:

$$Vg = \frac{15.87 \times 10 \times 3}{3600} = 0.132 \text{ Sm}^3$$

Maximum output

The maximum burner output must be set within the firing rate range shown on page 7. In the above instructions we left the burner running at the MIN output.

Now press the button 2)(Fig. 27) “output increase”, and keep it pressed until the servomotor has opened the air damper and the gas butterfly valve.

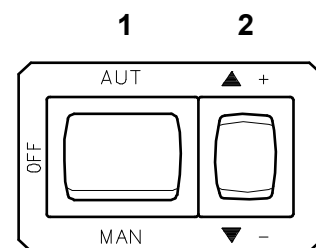


Fig. 27

Adjustment of gas delivery

Measure the gas delivery on the meter.

A guideline indication can be calculated from the table on page 38, simply read off the gas pressure on the pressure gauge, see Fig. 30 on page 21, and follow the instructions on page 38.

- If delivery needs to be reduced, diminish outlet gas pressure; if it is already very low, slightly close the VR adjustment valve.
- If delivery needs to be increased, increase the adjuster outlet gas pressure.

Adjusting air delivery

Progressively adjust the end profile of cam 4)(Fig. 28) by turning the cam adjustment screws 7).

- Turn the screws clockwise to increase air delivery.
- Turn the screws anticlockwise to reduce air delivery.

Minimum output

Min output must be selected within the firing rate range shown on page 7.

Press the button 2)(Fig. 27) "output reduction", and keep it pressed until the servomotor has closed the air damper and the gas butterfly valve at 65° (adjustment made in the factory).

Adjustment of gas delivery

Measure the gas delivery on the meter.

- If it is necessary to reduce it, reduce slightly the angle of cam III (Fig. 29) with small, regular movements, i.e. bring it from an angle of 65° to 63° - 61°....
- If it is necessary to increase it, press slightly the button "output increase" 2)(Fig. 27) (open by 10-15° the gas butterfly valve), increase the cam III angle (Fig. 29) with small, regular movements, i.e. bring it from an angle of 65° a 67° - 69°....

Then press the button "output reduction" until the servomotor is in the position of minimum opening position and measure gas delivery.

NOTE

The servomotor follows the adjustment of cam III only when the angle of the cam is reduced. If it is necessary to increase the angle of the cam, you must first increase the angle of the servomotor by means of the "output increase" key, then increase the angle of cam III, and finally bring the servomotor to the position of MIN output, with the "output reduction" key.

For any necessary adjustment of cam III, mainly for small movements, the specific key 10) can be used.

Adjusting air delivery

Progressively adjust the end profile of cam 4) by turning the cam adjustment screws 5). It is preferable not to turn the first screw since this is used to set the air damper to its fully closed position.

Intermediate outputs**Adjustment of gas delivery**

No adjustment of gas delivery is required.

Adjusting air delivery

Press slightly the button "output increase" 2)(Fig. 27) so that the servomotor rotates by 15°. Adjust the screws until optimal combustion is obtained. Proceed in the same way with the other screws. Take care that the cam profile variation is progressive. Switch the burner off with switch 1)(Fig. 27), OFF position. Release cam 4 from the servomotor by pressing and shifting button 3) to the right, and check several times that by rotating cam 4 forwards and backwards by hand, the movement is soft and smooth, without jamming.

Now engage cam 4) again to the servomotor by shifting button 2) to the left.

As far as is possible, try not to move those screws at the ends of the cam that were previously adjusted for the opening of the air damper to MAX and MIN output.

Once optimum adjustment has been reached, fix it with the screws 6).

NOTE

Once you have finished adjusting outputs MAX - MIN - INTERMEDIATE, check ignition once again: noise emission at this stage must be identical to the following stage of operation. If you notice any sign of pulsations, reduce the ignition stage delivery.

- 6 Servomotor
- 7 Servomotor 1) - cam 4): constrained
- 8 Servomotor 1) - cam 4): released
- 9 Adjustable profile cam
- 10 Screws for adjusting the adjustable profile
- 11 Screws for fixing adjustment
- 12 Screws for adjusting the end profile
- 13 Graduated sector for gas butterfly valve
- 14 Index for graduated sector 8
- 15 Spanner to adjust cam III

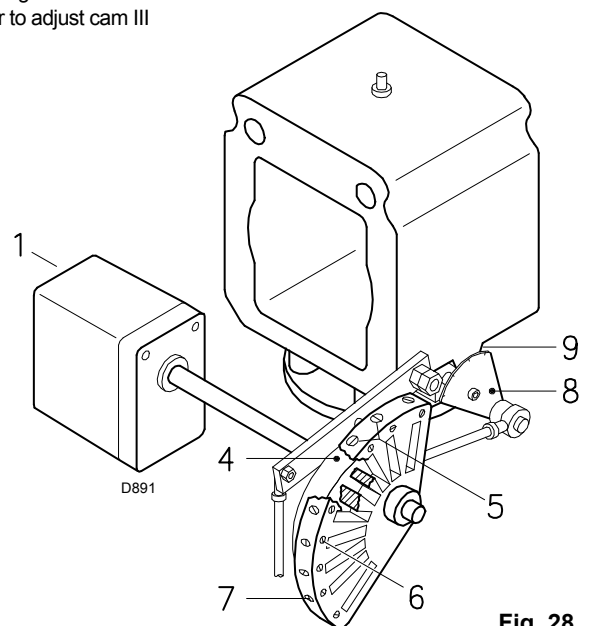


Fig. 28

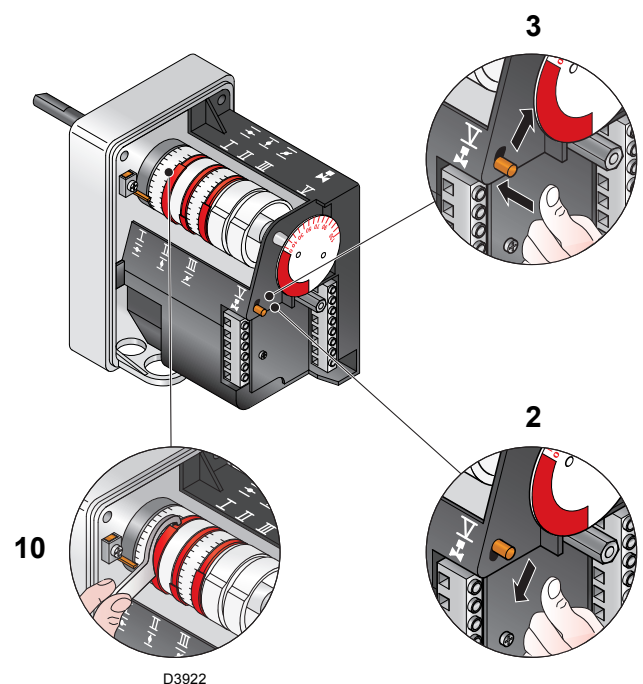


Fig. 29

Air pressure switch

Adjust the air pressure switch after having performed all other burner adjustments with the air pressure switch set to the start of the scale (Fig. 30).

With the burner working at MIN output, insert a combustion analyser in the stack, slowly close the suction inlet of the fan (for example, with a piece of cardboard) until the CO value does not exceed 100 ppm.

Slowly turn the appropriate knob clockwise until the burner goes into lockout.

Check the indication of the arrow pointing upwards on the graduated scale. Turn the knob clockwise again, until the value shown on the graduated scale corresponds with the arrow pointing downwards, and so recovering the hysteresis of the pressure switch (shown by the white mark on a blue background, between the two arrows).

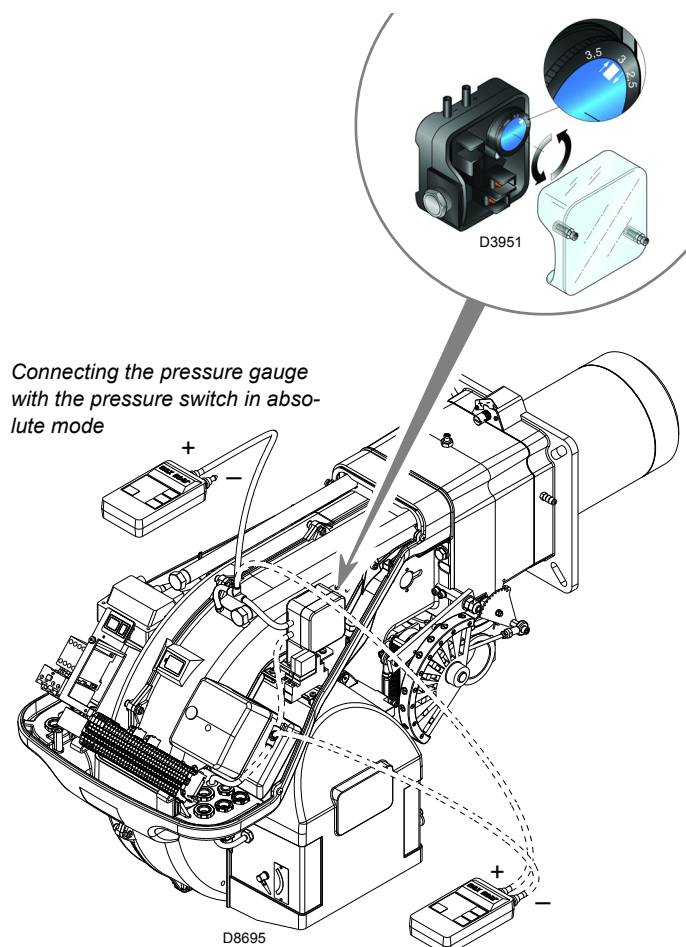
Now check the correct start-up of the burner.

If the burner locks out again, turn the knob anticlockwise a little bit more.

During these operations it may be useful to measure the air pressure with a pressure gauge.

The connection of the pressure gauge is shown in Fig. 30.

The standard configuration is that with the air pressure switch connected in absolute mode. Note the presence of a "T" connection, not supplied. In certain applications in strong depression situations, the connection of the pressure switch does not allow it to change over. In this case it is necessary to connect the pressure switch in differential mode, applying a second tube between the air pressure switch and the fan suction line mouth. In this case also, the pressure gauge must be connected in differential mode, as shown in Fig. 30.



Connecting the pressure gauge with the pressure switch in absolute mode

Connecting the pressure gauge with the pressure switch in differential mode

Fig. 30

Maximum gas pressure switch

Adjust the maximum gas pressure switch after having performed all other burner adjustments with the maximum gas pressure switch set to the end of the scale (Fig. 31).

With the burner operating at maximum output, lower adjustment pressure by slowly turning the relative knob anticlockwise until the burner locks out.

Turn the knob clockwise by 2 mbar and repeat the start-up of the burner.

If the burner locks out again, turn the knob clockwise again by 1 mbar.

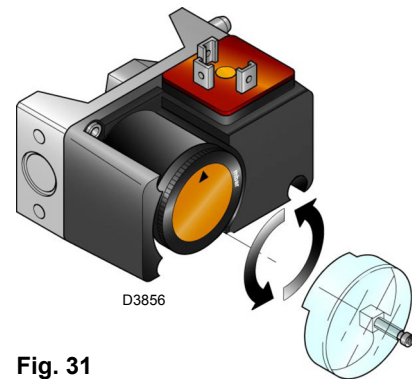


Fig. 31

Minimum gas pressure switch

Adjust the minimum gas pressure switch after having performed all other burner adjustments with the pressure switch set to the start of the scale (Fig. 32).

With the burner operating at maximum output, increase adjustment pressure by slowly turning the relative knob clockwise until the burner locks out.

Then turn the knob anticlockwise by 2 mbar and repeat burner start-up to ensure it is uniform.

If the burner locks out again, turn the knob anticlockwise again by 1 mbar.

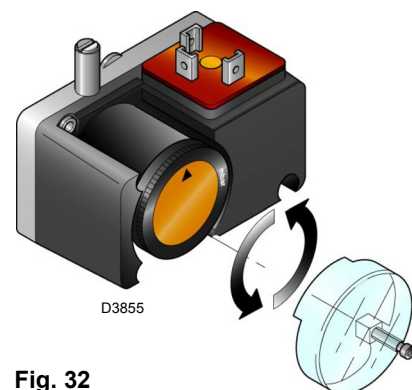


Fig. 32

5.6 Operation sequence of the burner

Burner start-up

- 0s: TL closed.
- 5s: Start of electrical control box programme. Servomotor starts: 130° rotation to right, until contact is made on cam I (Fig. 7).
- 35s: The air damper arrives to the MAX. output position. The fan motor starts up. Start of the pre-purging phase.
- 75s: The servomotor rotates towards the left as far as the angle set on cam III (Fig. 7) for the MIN output.
- 95s: The air damper and the gas butterfly valve adopt the MIN output position (with cam III Fig. 7 at 65°).
- 105s: Ignition electrode strikes a spark. The safety valve VS opens, along with the adjustment valve VR, quick opening. The flame is ignited at a low output level, point A. Delivery is then progressively increased, with the valve VR opening slowly up to MIN. output, point B.
- 108s: The spark goes out.
- 115s: The starting cycle comes to an end.

STANDARD IGNITION

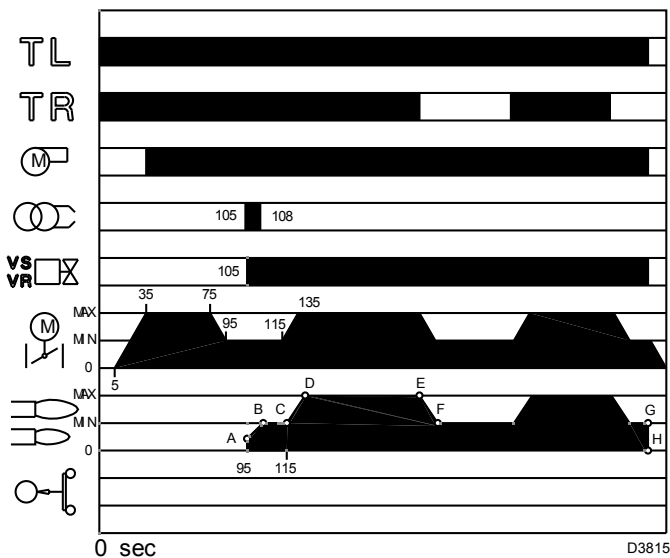


Fig. 33

Steady state operation

Burner without the modulating operation kit

Once the start-up cycle is completed, the servomotor command moves on to the TR that controls the pressure or the temperature in the boiler, point C.

(The electrical control box still continues to check the presence of the flame and the correct position of the air and gas maximum pressure switches).

- If the temperature is low, so the remote control TR is closed, the burner progressively increases the output up to the MAX value (tract C-D).
- If subsequently the temperature or pressure increases until TR opens, the burner progressively decreases its output to the MIN. value (section E-F). The sequence repeats endlessly.

- The burner locks out when the heat request is less than the heat supplied by the burner at MIN. output, (section G-H. The TL opens, and the servomotor returns to angle 0°. The air damper closes completely to reduce heat losses to a minimum.

Burner with modulating operation kit

See the handbook enclosed with the adjuster.

Ignition failure

If the burner does not switch on, there is a lockout within 3s of the electrical supply reaching the gas valve.

It may be that the gas does not arrive at the combustion head within the safety time of 3s.

In this case increase gas ignition delivery.

The arrival of the gas at the pipe coupling is shown on the pressure gauge of Fig. 36.

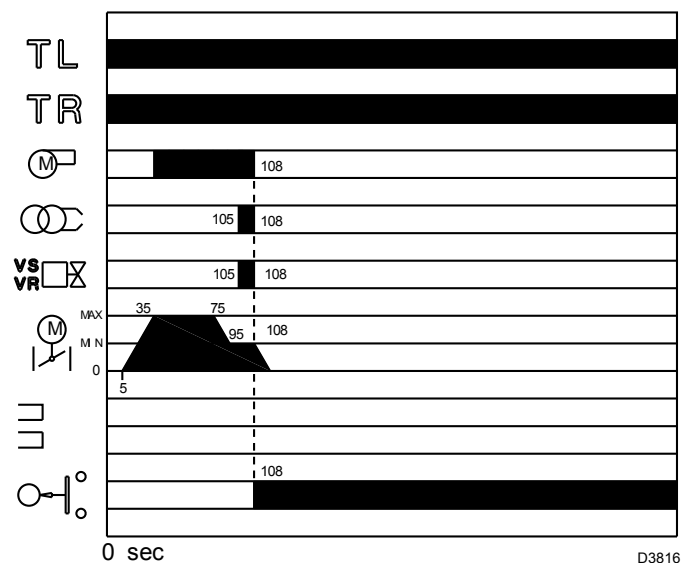


Fig. 34

5.7 Burner flame goes out during operation

If the flame should accidentally go out during operation, the burner will lock out within 1s.

5.8 Stopping of the burner

The burner can be stopped by:

- intervening on the disconnecting switch of the electrical supply line, located on the boiler panel;
- removing the hood and working on the "AUT/MAN" switch of Fig. 27.



WARNING

In the event of a burner lockout, more than two consecutive burner reset operations could cause damage to the installation. On the third lockout, contact the Aftersales Service. If further lockouts or burner faults occur, interventions must only be made by qualified, authorised personnel (as indicated in this manual, and in compliance with the laws and regulations currently in force).

5.9 Measuring the ionisation current

The burner is fitted with an ionisation system to check that a flame is present. The minimum current for control box operation is 6 μA .

The burner provides a much higher current, so controls are not normally required.

However, if it is necessary to measure the ionisation current, disconnect the plug-socket (2)(Fig. 35) on the ionisation probe cable and insert a direct current microammeter (1)(Fig. 35) with a base scale of 100 μA .

Carefully check the polarities!

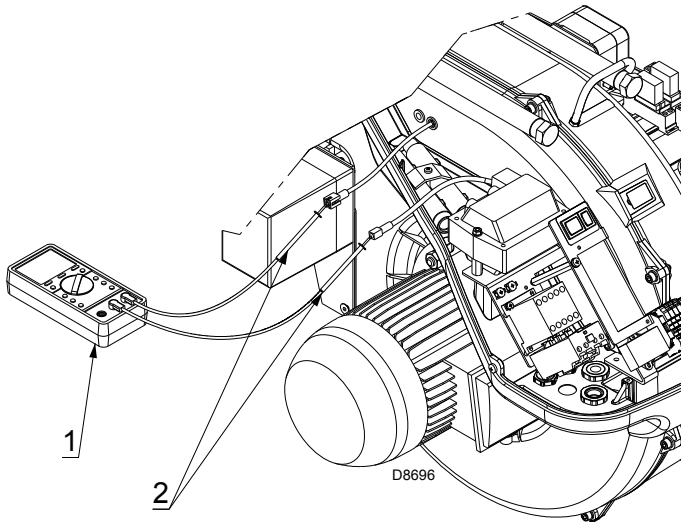


Fig. 35

5.10 Checking the air and gas pressure on the combustion head

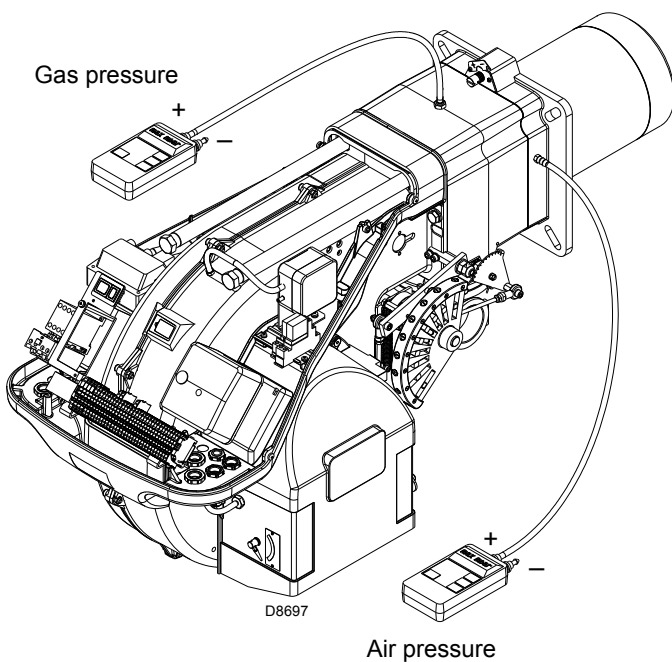


Fig. 36

5.11 Final checks (with burner operating)

- Open the thermostat/pressure switch TL:
- Open the thermostat/pressure switch TS:
the burner must stop
- Rotate the maximum gas pressure switch knob to the minimum end-of-scale position.
- Rotate the air pressure switch knob to the maximum end-of-scale position.
the burner must stop in lockout
- Switch off the burner and disconnect the voltage.
- Disconnect the minimum gas pressure switch connector.
the burner must not start
- Disconnect the ionisation probe wire.
the burner must stop in lockout due to ignition failure
- Make sure that the mechanical locking systems on the different adjustment devices are fully tightened.

The control box has a self-diagnostic system, which easily allows identifying the operating faults (signal: **RED LED**).

To use this function, wait at least ten seconds from the safety lock out, and then press the reset button for a minimum of 3 seconds.

After releasing the button, the RED LED starts flashing as shown in the diagram below.

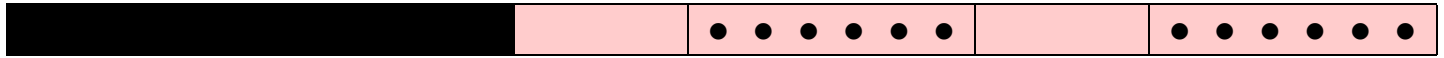
RED LED on
press reset for 10s

Press button
for > 3s

Signal

Interval
3s

Signal



The pulses of the LED constitute a signal spaced by approximately 3 seconds.

The number of pulses will provide the information on the possible faults, according to the table below.

| SIGNAL | FAULT | PROBABLE CAUSE | SUGGESTED REMEDY |
|---------------------------|--|--|------------------|
| 2 x blinks ● ● | Once the pre-purging phase and safety time have passed, the burner goes into lockout without the appearance of the flame | 1 - The operation solenoid lets little gas through Increase 2 - One of the two solenoid valves does not open. Replace 3 - Gas pressure too low Increase pressure at regulator 4 - Ignition electrode incorrectly adjusted Adjust, see Fig. 12 5 - Electrode grounded due to broken insulation. Replace 6 - High voltage cable defective Replace 7 - High voltage cable deformed by high temperature. Replace and protect 8 - Ignition transformer defective Replace 9 - Incorrect valve or transformer electrical wiring Check 10 - Defective control box Replace 11 - A closed valve upline the gas train. Open 12 - Air in pipework Bleed air 13 - Gas trains not connected or with coil blocked Check connections or replace coil | |
| 3 x blinks ● ● ● | The burner does not switch on, and the lockout appears | 14 - Air pressure switch in operating position Adjust or replace | |
| | The burner switches on, but then stops in lockout | Air pressure switch inoperative due to insufficient air pressure: 15 - Air pressure switch incorrectly adjusted. Adjust or replace 16 - Pressure switch pressure test point pipe blocked Clean 17 - Head incorrectly adjusted. Adjust 18 - High pressure in the furnace Connect air pressure switch to fan suction line | |
| | Lockout during pre-purging phase | 19 - Defective motor control contactor. Replace (only three-phase version) 20 - Defective electrical motor. Replace 21 - Motor lockout (only three-phase version). Replace | |
| 4 pulses ● ● ● ● | The burner switches on, but then stops in lockout | 22 - Flame simulation Replace the control box | |
| | Lockout when burner stops | 23 - Permanent flame in the combustion head or Eliminate permanency of flame or replace control box flame simulation | |
| 6 x blinks ● ● ● ● ● ● | The burner switches on, but then stops in lockout | 24 - Defective or incorrectly adjusted servomotor. Replace or adjust | |
| 7 pulses ● ● ● ● ● ● ● | The burner goes into lockout immediately following the appearance of the flame | 25 - The operation solenoid lets little gas through. Increases 26 - Ionisation probe Incorrectly adjusted. Adjust it, see Fig. 12 27 - Insufficient ionisation (less than 5 µA) Check probe position 28 - Probe earthed Withdraw or replace cable 29 - Burner poorly grounded Check grounding 30 - Phase and neutral connections inverted Invert them 31 - Defective flame detection circuit. Replace control box | |
| | Burner locks out when shifting from minimum to maximum output and vice versa | 32 - Too much air or too little gas Adjust air and gas | |
| | Burner goes into lockout during operation | 33 - Probe or ionisation cable earthed Replace worn parts | |

| SIGNAL | FAULT | PROBABLE CAUSE | SUGGESTED REMEDY | |
|--|--|---|---|------------------------|
| 10 blinks ●●●●●●●●●● | The burner does not switch on, and the lockout appears | 34 - Erroneous electrical wiring | Check connections | |
| | The burner goes into lockout | 35 - Defective control box 36 - Presence of electromagnetic disturbances in the thermostat lines 37 - Presence of electromagnetic disturbance | Replace Filter or eliminate Use the radio disturbance protection kit | |
| No blink | The burner does not start | 38 - No electrical power supply | Close all switches - Check connections | |
| | | 39 - A limiter or safety control device is open | Adjust or replace | |
| | | 40 - Line fuse blocked | Replace | |
| | | 41 - Defective control box | Replace | |
| | | 42 - No gas supply | Open the manual valves between contactor and train | |
| The burner continues to repeat the start-up cycle, without lockout | 43 - Mains gas pressure insufficient 44 - Minimum gas pressure switch fails to close 45 - Servomotor fails to move to min. ignition position . . . | 46 - The gas pressure in the network is near the value on which the min. gas pressure switch gas is adjusted The sudden drop in pressure when the valve is opened causes the temporary opening of the pressure switch itself, the valve immediately closes and the burner comes to a halt. Pressure increases again, the pressure switch closes and the ignition cycle is repeated. And so on | Reduce the cut-in pressure of the min. gas pressure switch Replace the gas filter cartridge | |
| | | Ignition with pulsations | 47 - Head poorly adjusted | Adjust, see Fig. 15 |
| | | | 48 - Ignition electrode incorrectly adjusted | Adjust it, see Fig. 12 |
| 49 - Incorrectly adjusted fan air damper: too much air . . . | Adjust | | | |
| 50 - Output during ignition phase is too high | Reduce | | | |
| Burner does not reach maximum output | 51 - Control device TR does not close 52 - Defective control box 53 - Defective servomotor | 51 - Control device TR does not close | Adjust or replace | |
| | | 52 - Defective control box | Replace | |
| | | 53 - Defective servomotor | Replace | |
| Burner stops with air damper open | 54 - Servomotor defective | Replace | | |

6.1 Normal operation / flame detection time

The control box has a further function to guarantee the correct burner operation (signal: **GREEN LED** permanently on).

To use this function, wait at least ten seconds from the burner ignition and then press the control box button for a minimum of 3 seconds.

After releasing the button, the GREEN LED starts flashing as shown in the figure below.

GREEN LED on
press reset for 10s

Press button
for > 3s

Signal

Interval
3s

Signal



The pulses of the LED constitute a signal spaced by approximately 3 seconds.

The number of pulses will measure the probe DETECTION TIME since the opening of gas valves, according to the following table:

| SIGNAL | FLAME DETECTION TIME |
|----------------------|----------------------|
| 1 blink ● | 0.4 s |
| 2 x blinks ●● | 0.8 s |
| 6 x blinks ●●●●●● | 2.8 s |

This is updated in every burner start-up.

Once read, the burner repeats the start-up cycle by briefly pressing the control box button.

WARNING

If the result is > 2 s, ignition will be retarded.

Check the adjustment of the hydraulic brake of the gas valve, the air damper and the combustion head adjustment.

7.1 Notes on safety for the maintenance

The periodic maintenance is essential for the good operation, safety, yield and duration of the burner. It allows you to reduce consumption and polluting emissions and to keep the product in a reliable state over time.



The maintenance interventions and the calibration of the burner must only be carried out by qualified, authorised personnel, in accordance with the contents of this manual and in compliance with the standards and regulations of current laws.

Before carrying out any maintenance, cleaning or checking operations:



disconnect the electricity supply from the burner by means of the main switch of the system;



close the fuel interception tap;

7.2 Maintenance programme

Maintenance frequency

The gas combustion system should be checked **at least once a year** by a representative of the Manufacturer or another specialised technician.

Checking and cleaning

Combustion

Carry out an analysis of the flue gases. Significant differences with respect to the previous measurements indicate the points where more care should be exercised during maintenance.

Gas leaks

Make sure that there are no gas leaks on the pipes between the gas meter and the burner.

Gas filter

Replace the gas filter when it is dirty.

Flame inspection window

Clean the glass of the flame inspection window, (Fig. 37).

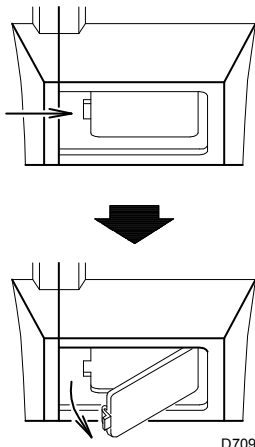


Fig. 37

D709

Combustion head

Open the burner and make sure that all the components of the combustion head are:

- undamaged;
- not deformed due to high temperature;
- free of ambient dirt or dust;
- free of rusted materials;
- adequately positioned.

Make sure that the gas outlet holes for the start-up, on the combustion head distributor, are free of dirt or rust deposits. If in doubt, disassemble the elbow 5)(Fig. 38).

Servomotor

Disengage cam 4)(Fig. 28) from the servomotor, by pressing and shifting button 3)(Fig. 29) to the right, and cause it to turn it backwards and forwards by hand to make sure it moves smoothly. Now engage the cam again by shifting button 2)(Fig. 28) to the left.

Burner

Check for excess wear or loose screws in the mechanisms controlling the air damper and the gas butterfly valve. Also make sure that the screws securing the electrical leads in the burner connections are fully tightened.

Clean the outside of the burner, taking special care with the articulated couplings and cam 4)(Fig. 28).

Combustion

Adjust the burner if the combustion values found at the beginning of the operation do not comply with the regulations in force or, at any rate, do not produce good combustion.

Use the appropriate card to record the new combustion values; they will be useful for subsequent controls.

7.3 Opening the burner

- **Disconnect the electrical supply from the burner.**
- Loosen the screws 1) and remove the hood 2).
- Disengage the articulated coupling 7) from the graduated sector 8).
- Assemble the two extensions on the sliding bars 4).
- Remove the screws 3) and move the burner backwards some 100 mm on the guides 4). Disconnect the probe and electrode leads and then pull the burner fully back.

Now extract the gas distributor 5) after having removed the screw 6).

7.4 Closing the burner

- Push the burner up to approximately 100 mm from the pipe coupling.
- Reconnect the cables and slide the burner as far as the stop.
- Replace the screws 3) and carefully pull the probe and electrode cables outwards until they are slightly taut.
- Re-couple the articulated coupling 7) to the graduated sector 8).
- Disassemble the two extensions from the guides 4).

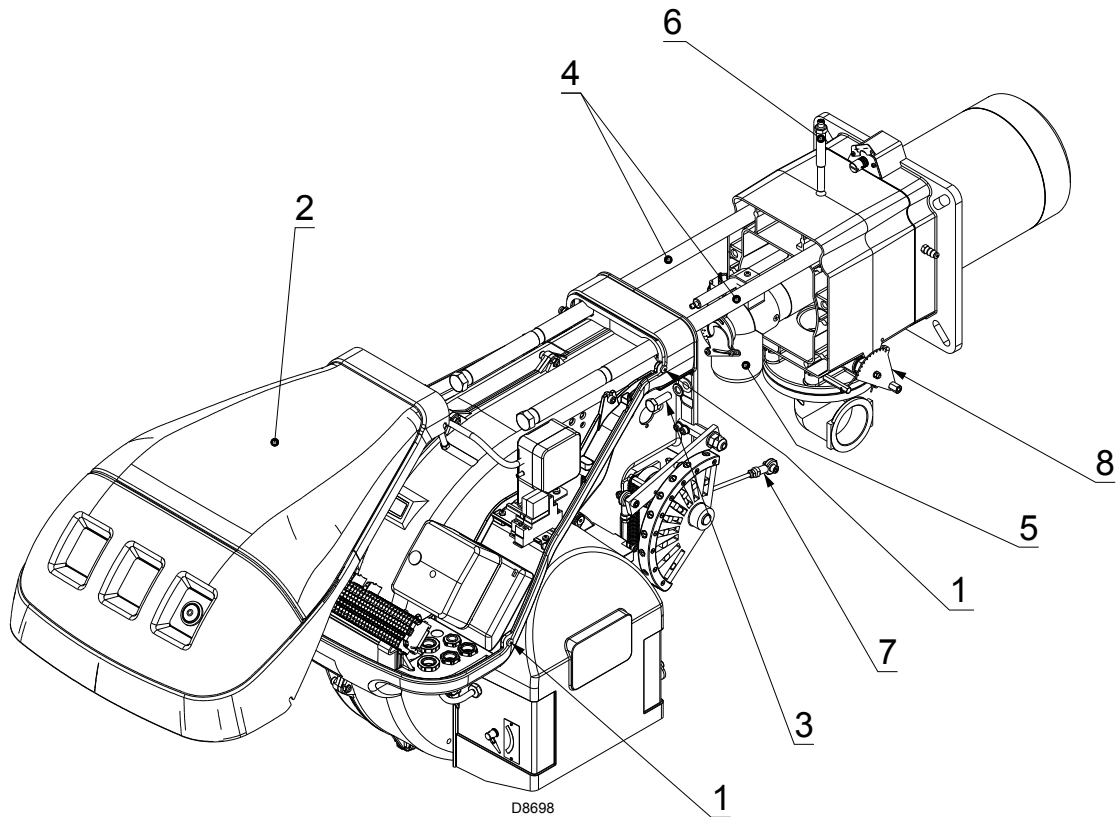
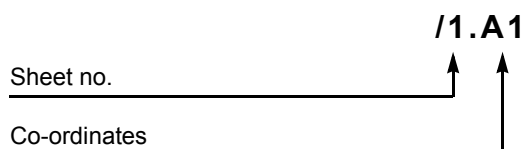


Fig. 38

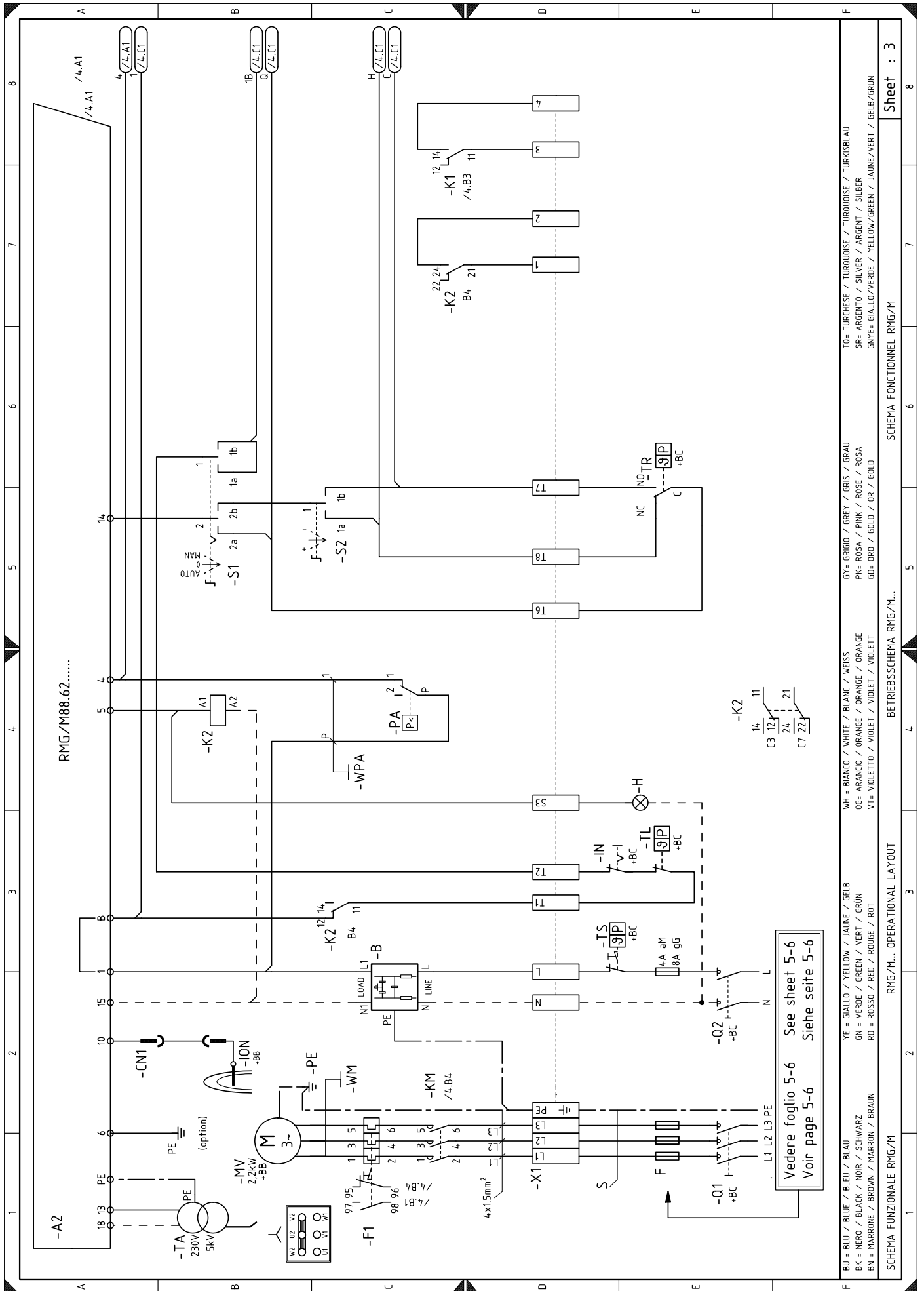
| | |
|----------|---|
| 1 | Index of layouts |
| 2 | Indication of references |
| 3 | Functional layout RMG/M |
| 4 | Functional layout RMG/M |
| 5 | Electrical wiring that the installer is responsible for (50 Hz) |
| 6 | Electrical wiring that the installer is responsible for (60 Hz) |
| 7 | Functional layout RWF40... |

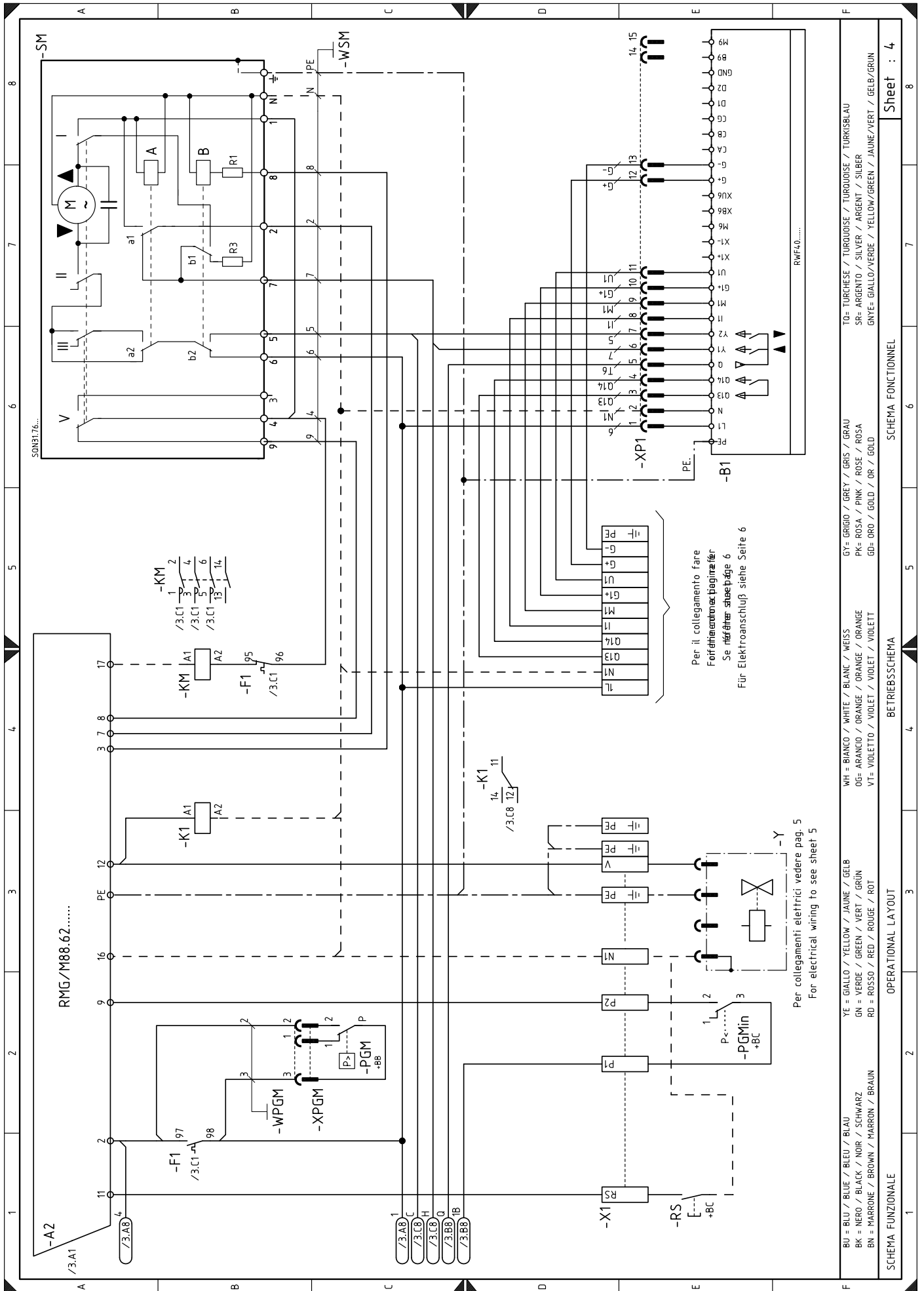
2 Indication of references

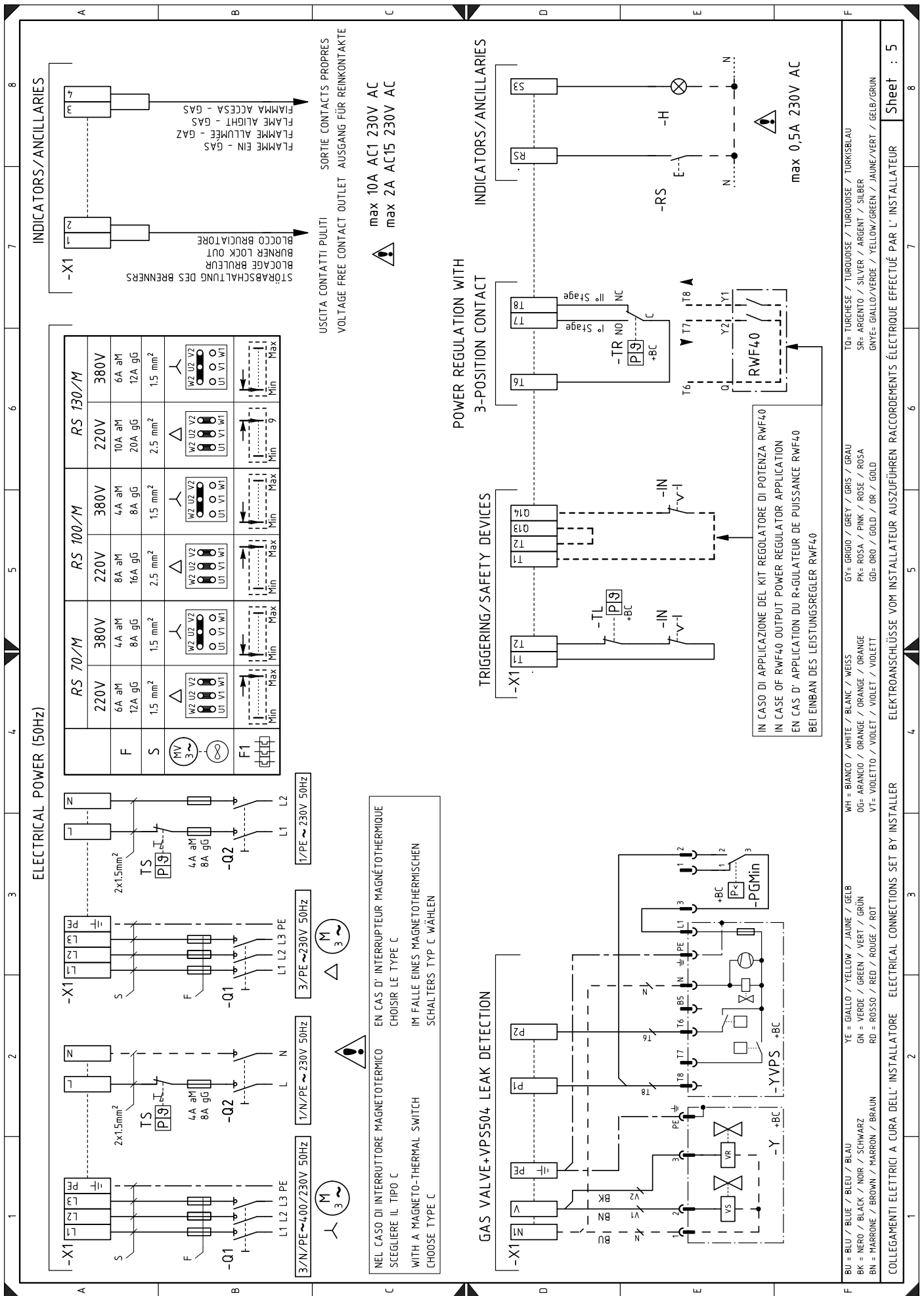


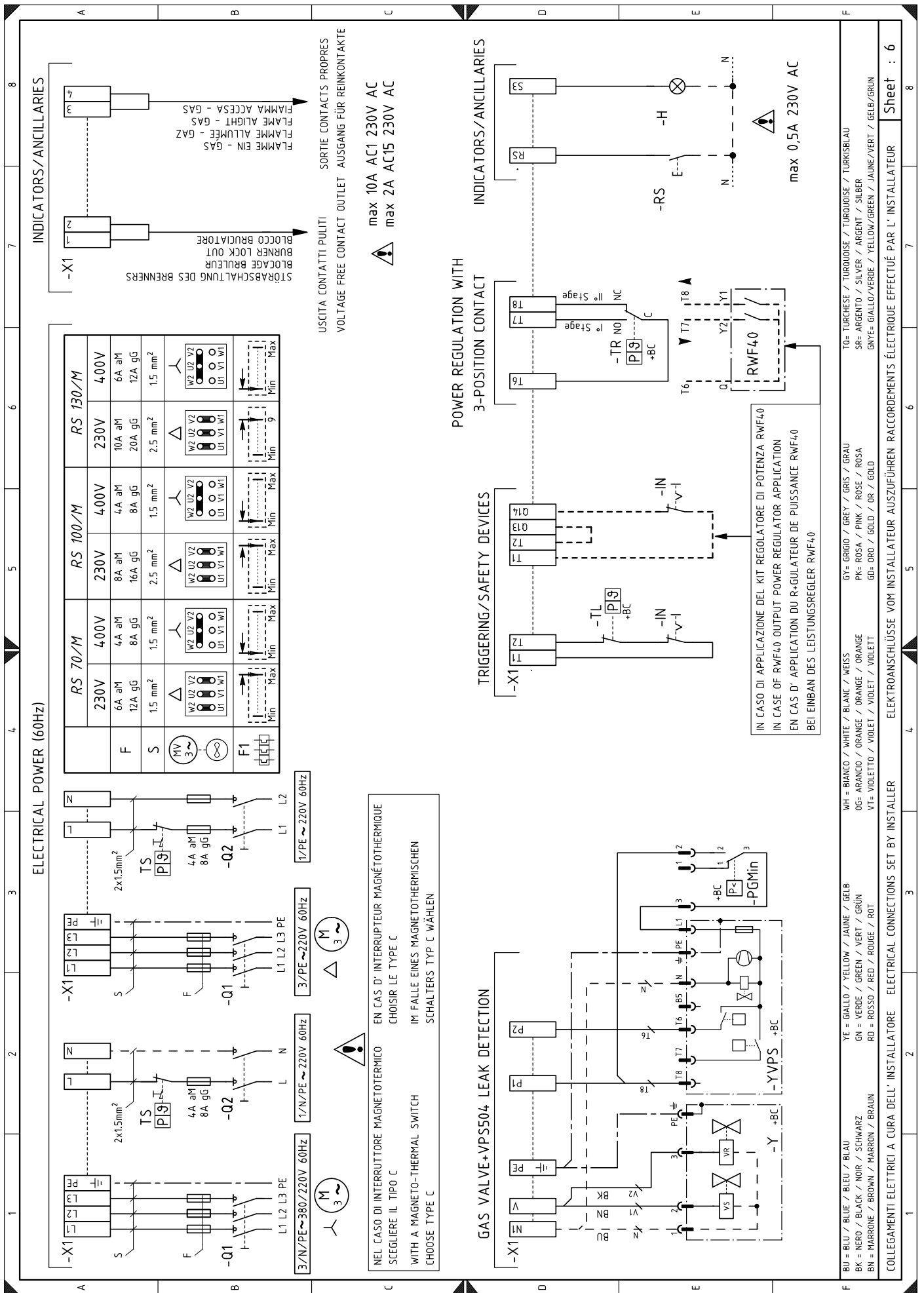
Wiring layout key

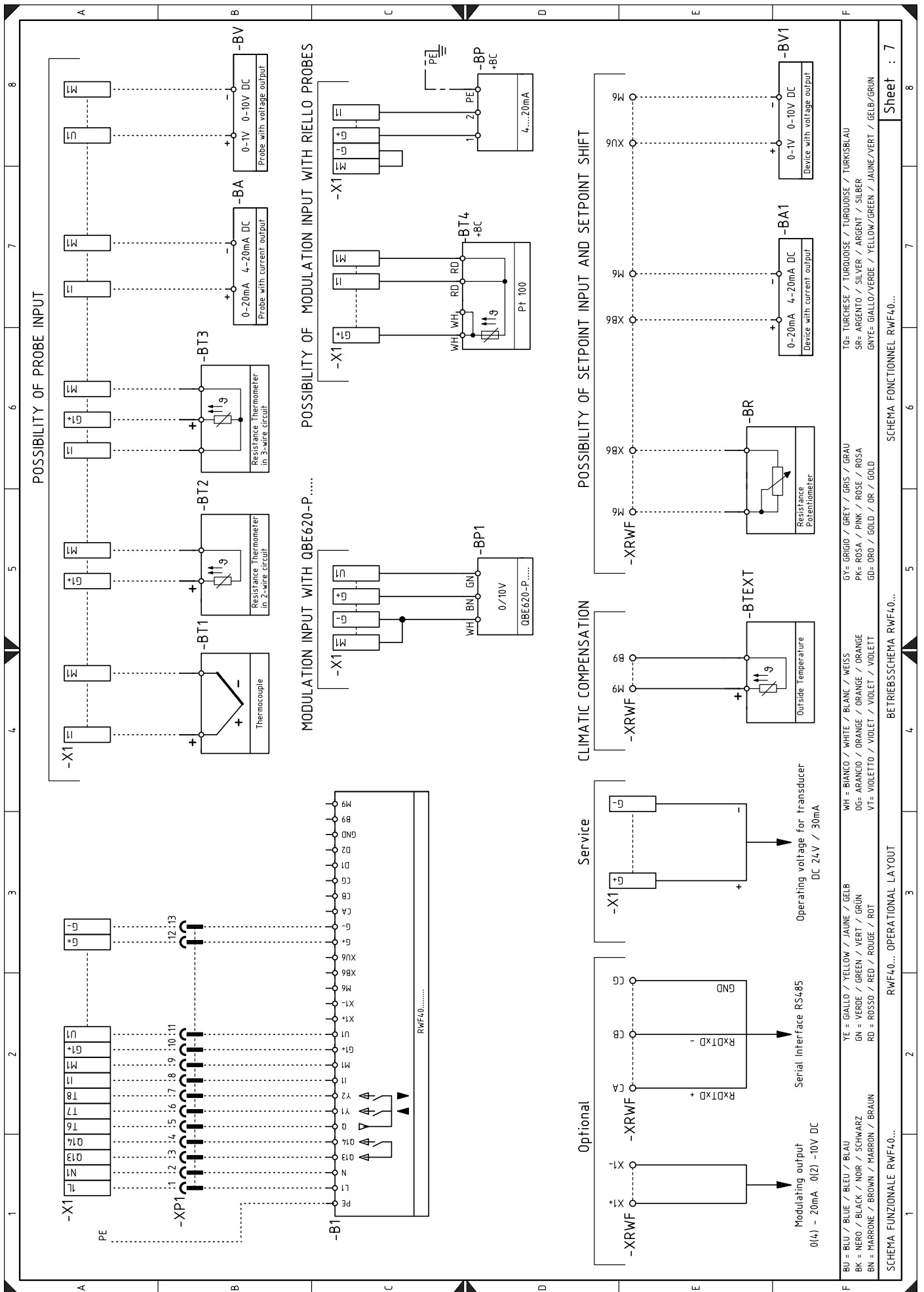
| | | | |
|--------------|---|--------------|--|
| A | - Electrical control box | K2 | - Clean contacts output relay burner lockout |
| B | - Filter to protect against radio disturbance | KM | - Motor contact maker |
| B1 | - Output regulator RWF40 | MV | - Fan motor |
| BA | - Input in current DC 4...20 mA | PA | - Air pressure switch |
| BA1 | - Input in current DC 4...20 mA to modify remote set-point | PE | - Burner earth |
| BP | - Pressure probe | PGMin | - Minimum gas pressure switch |
| BP1 | - Pressure probe | PGM | - Maximum gas pressure switch |
| BR | - Remote setpoint potentiometer | Q1 | - Three-phase disconnecting switch |
| BT1 | - Thermocouple probe | Q2 | - Single phase disconnecting switch |
| BT2 | - Probe Pt100, 2 wires | RS | - Remote reset switch |
| BT3 | - Probe Pt100, 3 wires | S1 | - Off / automatic / manual selector |
| BT4 | - Probe Pt100, 3 wires | S2 | - Power increase - power reduction selector |
| BTEXT | - External probe for climatic compensation of the set-point | SM | - Servomotor |
| BV | - Input in voltage DC 0...10V | TA | - Ignition transformer |
| BV1 | - Input in voltage DC 0...10V to modify remote setpoint | TL | - Limit thermostat/pressure switch |
| CN1 | - Ionisation probe connector | TR | - Adjustment thermostat/pressure switch |
| F1 | - Fan motor thermal relay | TS | - Safety thermostat/pressure switch |
| H | - Remote lockout signal | X1 | - Main terminal supply board |
| IN | - Burner manual stop switch | XPGM | - Maximum gas pressure switch connector |
| ION | - Ionisation probe | XP1 | - Socket for kit |
| K1 | - Clean contacts output relay burner switched on | XRWF | - Terminal board RWF40 |
| | | Y | - Gas adjustment valve + gas safety valve |
| | | YVPS | - Valve leak detection device |











Output power regulator kit for modulating operation

With the modulating operation, the burner continually adapts the power to the request for heat, ensuring great stability for the parameter controlled: temperature or pressure.

Two components should be ordered:

- the output power regulator to install on the burner;
- the probe to install on the heat generator.

| Parameter to be checked | | Probe | | Output Regulator | |
|-------------------------|------------------|--------------|---------|------------------|---------|
| | Adjustment field | Type | Code | Type | Code |
| Temperature | - 100...+ 500°C | PT 100 | 3010110 | RWF40 | 3010414 |
| Pressure | 0...2.5 bar | Output probe | 3010213 | | |
| | 0...16 bar | 4...20mA | 3010214 | | |

Output power regulator with signal 4-20 mA, 0-10V

Two components should be ordered:

- the analogue signal converter;
- the potentiometer.

| Burner | Potentiometer | | Analogue Signal Converter | |
|------------------------|---------------|---------|---------------------------|---------|
| | Type | Code | Type | Code |
| RS 70-100/M - RS 130/M | ASZ... | 3010416 | E5202 | 3010415 |

Potentiometer kit for the indication of load position

| Burner | Kit code |
|------------------------|----------|
| RS 70-100/M - RS 130/M | 3010416 |

RMG to PC interface adapter kit

| Burner | Kit code |
|------------------------|----------|
| RS 70-100/M - RS 130/M | 3002719 |

Soundproofing chamber

| Burner | Kit code | Type | Reduction of noise average |
|------------------------|----------|------|----------------------------|
| RS 70-100/M - RS 130/M | 3010404 | C4/5 | 10 [dB(A)] |

Long Head Kit

| Burner | Kit code | Standard head length | Head length obtained with the kit |
|----------|----------|----------------------|-----------------------------------|
| RS 70/M | 3010117 | 250 mm | 385 mm |
| RS 100/M | 3010118 | 250 mm | 385 mm |
| RS 130/M | 3010119 | 280 mm | 415 mm |

Kit for LPG operation

| Burner | Combustion head | Kit code | Obtainable output with the Kit |
|----------|-----------------|----------|--------------------------------|
| RS 70/M | TC | 20008175 | 200/470 ÷ 930 kW |
| | TL | 20008176 | |
| RS 100/M | TC | 20008177 | 300/700 ÷ 1340 kW |
| | TL | 20008178 | |
| RS 130/M | TC | 20008179 | 300/920 ÷ 1600 kW |
| | TL | 20008180 | |

Kit for TOWN GAS operation - not EC type-approved

| Burner | Combustion head | Kit code |
|----------|-----------------|----------|
| RS 70/M | TC | 3010286 |
| | TL | |
| RS 100/M | TC | 3010287 |
| | TL | |
| RS 130/M | TC | 3010288 |
| | TL | |

Spacer kit

| Burner | Kit code | Thickness |
|------------------------|----------|-----------|
| RS 70-100/M - RS 130/M | 3010129 | 135 mm |

Continuous purging kit

| Burner | Kit code |
|------------------------|----------|
| RS 70-100/M - RS 130/M | 3010094 |

Vibration reduction kit (for flame inversion boilers)

| Burner | Combustion head | Kit code |
|----------|-----------------|----------|
| RS 70/M | TC | 3010201 |
| | TL | |
| RS 100/M | TC | 3010202 |
| | TL | |
| RS 130/M | TC | 3010373 |
| | TL | 3010374 |

Radio disturbance protection kit

If the burner is installed in places particularly subject to radio disturbance (emission of signals exceeding 10 V/m) owing to the presence of an INVERTER, or in applications where the length of the thermostat connections exceeds 20 metres, a protection kit is available as an interface between the control box and the burner.

| Burner | Kit code |
|------------------------|----------|
| RS 70-100/M - RS 130/M | 3010386 |

Gas trains in compliance with EN 676

Please refer to manual.

The table show minimum load losses along the gas supply line depending on the maximum burner output operation.

The values shown in the tables refer to:

- Natural gas G 20 PCI 9.45 kWh/Sm³ (8.2 Mcal/Sm³)
- Natural gas G 25 PCI 8.13 kWh/Sm³ (7.0 Mcal/Sm³)

Column 1

Load loss at combustion head.

Gas pressure measured at the test point 1)(Fig. 39), with:

- Combustion chamber at 0 mbar;
- Burner working at maximum output;
- Combustion head adjusted according to the diagram of Fig. 16.

Column 2

Load loss at gas butterfly valve 2)(Fig. 39) with maximum opening: 90°.

NOTE

To know the approximate output at which the burner is operating at its maximum:

- Subtract the combustion chamber pressure from the gas pressure measured at test point 1)(Fig. 39).
- Find, in the table relating to the burner concerned, column 1, the pressure value closest to the result you want.
- Read off the corresponding output on the left.

Example with natural gas G 20 - RS 100/M

- Maximum output operation
 - Ring nut 2)(Fig. 15) adjusted as in the diagram of (Fig. 16)
 - Gas pressure at test point 1)(Fig. 39) = 8 mbar
 - Pressure in combustion chamber = 2.5 mbar
- $$8 - 2.5 = 5.5 \text{ mbar}$$

A pressure of 5.5 mbar, column 1, corresponds in the table to an output of 900 kW.

This value serves as a rough guide; the effective output must be measured at the gas meter.

NOTE

To know the required gas pressure at test point 1)(Fig. 39), set the MAX output required from the burner operation:

- Find the nearest output value in the table for the burner in question.
- Read, on the right, column 1, the socket pressure 1)(Fig. 39).
- Add this value to the estimated pressure in the combustion chamber.

Example with natural gas G 20 - RS 100/M

- Required burner maximum output operation: 900 kW
 - Ring nut 2)(Fig. 15) adjusted as in the diagram of (Fig. 16)
 - Gas pressure at output of 900 kW = 5.5 mbar
 - Pressure in combustion chamber = 2.5 mbar
- $$5.5 + 2.5 = 8 \text{ mbar}$$

pressure required at test point 1)(Fig. 39).

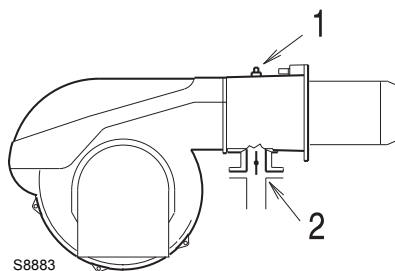


Fig. 39

| Mod. | kW | 1 Δp (mbar) | | 2 Δp (mbar) | |
|---------|------|----------------|------|----------------|------|
| | | G 20 | G 25 | G 20 | G 25 |
| RS 70/M | 470 | 4.2 | 5.7 | 0.4 | 0.5 |
| | 500 | 4.6 | 6.3 | 0.5 | 0.5 |
| | 550 | 5.3 | 7.2 | 0.6 | 0.7 |
| | 600 | 6.0 | 8.2 | 0.7 | 0.8 |
| | 650 | 6.7 | 9.1 | 0.8 | 0.9 |
| | 700 | 7.4 | 10.1 | 0.9 | 1.1 |
| | 750 | 8.5 | 11.8 | 1.0 | 1.2 |
| | 800 | 9.6 | 13.4 | 1.2 | 1.4 |
| | 850 | 10.8 | 15.1 | 1.3 | 1.6 |
| | 900 | 12.1 | 16.9 | 1.5 | 1.8 |
| 930 | 12.9 | 17.9 | 1.6 | 1.9 | |

| | | | | | |
|----------|------|------|------|-----|-----|
| RS 100/M | 700 | 3.1 | 4.6 | 0.7 | 1.0 |
| | 750 | 3.7 | 5.5 | 0.8 | 1.1 |
| | 800 | 4.3 | 6.4 | 0.9 | 1.2 |
| | 850 | 4.9 | 7.3 | 1.0 | 1.4 |
| | 900 | 5.5 | 8.2 | 1.1 | 1.6 |
| | 950 | 6.2 | 9.0 | 1.2 | 1.8 |
| | 1000 | 6.8 | 9.9 | 1.3 | 1.9 |
| | 1050 | 7.3 | 10.7 | 1.5 | 2.1 |
| | 1100 | 7.9 | 11.6 | 1.6 | 2.4 |
| | 1150 | 8.4 | 12.4 | 1.8 | 2.6 |
| | 1200 | 9.1 | 13.5 | 1.9 | 2.8 |
| | 1250 | 9.9 | 14.8 | 2.1 | 3.0 |
| | 1300 | 10.8 | 16.1 | 2.3 | 3.3 |
| | 1340 | 11.4 | 17.1 | 2.4 | 3.5 |

| | | | | | |
|----------|------|------|------|-----|-----|
| RS 130/M | 920 | 4.5 | 7.0 | 1.3 | 2.0 |
| | 950 | 4.7 | 7.4 | 1.4 | 2.1 |
| | 1000 | 5.1 | 7.9 | 1.5 | 2.3 |
| | 1050 | 5.5 | 8.5 | 1.7 | 2.5 |
| | 1100 | 5.9 | 9.1 | 1.8 | 2.8 |
| | 1150 | 6.2 | 9.6 | 2.0 | 3.1 |
| | 1200 | 6.6 | 10.2 | 2.2 | 3.3 |
| | 1250 | 7.0 | 10.8 | 2.4 | 3.6 |
| | 1300 | 7.4 | 11.3 | 2.6 | 3.9 |
| | 1350 | 7.8 | 11.9 | 2.8 | 4.2 |
| | 1400 | 8.2 | 12.8 | 3.0 | 4.5 |
| | 1450 | 8.6 | 13.8 | 3.2 | 4.9 |
| | 1500 | 9.0 | 14.7 | 3.4 | 5.2 |
| | 1550 | 10.2 | 15.6 | 3.6 | 5.6 |
| | 1600 | 11.4 | 16.6 | 3.9 | 5.9 |
| | 1605 | 11.5 | 16.7 | 3.9 | 6.0 |

The firing rate of the burner shown in the manual is valid for a room temperature of 20°C and an altitude of 0m above sea level (barometric pressure around 1013 mbar).

It may be that a burner has to operate with combustive air at a higher temperature and/or higher altitudes.

The heating of the air and the increase in altitude produce the same effect: the expansion of the air volume (i.e. the reduction of its density).

The delivery of the burner fan remains essentially the same, but the oxygen per m³ of air, and the thrust (discharge head) of the fan are reduced.

It is therefore important to know if the maximum output requested from the burner at a determinate combustion chamber pressure remains within the firing rate of the burner even with the changed temperature and altitude conditions.

To check it, proceed as follows:

- 1 -Find the corrective factor F (relating to the air temperature and altitude of the system) in the table alongside.
- 2 -Divide the output Q required from the burner by F to obtain the equivalent output Qe:

$$Q_e = Q : F \text{ (kW)}$$

- 3 -In the firing rate of the burner, mark the work point identified by:

Qe = equivalent output

H1 = pressure in combustion chamber

point A that must remain within the firing rate (Fig. 40).

- 4 -Trace a vertical line from point A, Fig. 40, and find the maximum pressure H2 of the firing rate.

- 5 -Multiply H2 by F to obtain the maximum lowered pressure H3 of the firing rate

$$H3 = H2 \times F \text{ (mbar)}$$

If H3 is greater than H1, as in Fig. 40, the burner can produce the delivery requested.

If H3 is less than H1, it is necessary to reduce the burner output. The reduction in output is accompanied by a reduction in the combustion chamber pressure:

Qr = reduced output

H1r = reduced pressure

$$H1r = H1 \times \left(\frac{Q_r}{Q}\right)^2$$

Example, 5% reduction in output:

$$Q_r = Q \times 0.95$$

$$H1r = H1 \times (0.95)^2$$

With the new values - Qr and H1r - repeat steps 2 - 5.

Warning:

the combustion head should be adjusted in relation to the equivalent output Qe.

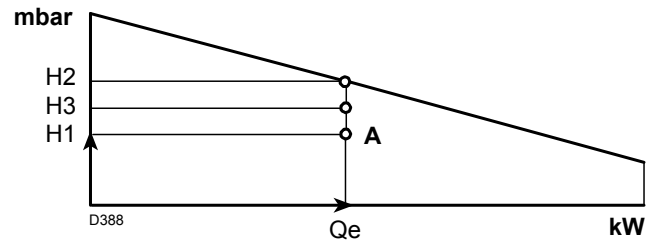


Fig. 40

| Altitude m. above sea level | Average barometric pressure mbar | F | | | | | | | |
|-----------------------------------|---|--------------------|-------|-------|-------|-------|-------|-------|-------|
| | | Air temperature °C | | | | | | | |
| | | 0 | 5 | 10 | 15 | 20 | 25 | 30 | 40 |
| 0 | 1013 | 1.087 | 1.068 | 1.049 | 1.031 | 1.013 | 0.996 | 0.980 | 0.948 |
| 100 | 1000 | 1.073 | 1.054 | 1.035 | 1.017 | 1.000 | 0.983 | 0.967 | 0.936 |
| 200 | 989 | 1.061 | 1.042 | 1.024 | 1.006 | 0.989 | 0.972 | 0.956 | 0.926 |
| 300 | 978 | 1.050 | 1.031 | 1.013 | 0.995 | 0.978 | 0.962 | 0.946 | 0.916 |
| 400 | 966 | 1.037 | 1.018 | 1.000 | 0.983 | 0.966 | 0.950 | 0.934 | 0.904 |
| 500 | 955 | 1.025 | 1.007 | 0.989 | 0.972 | 0.955 | 0.939 | 0.923 | 0.894 |
| 600 | 944 | 1.013 | 0.995 | 0.977 | 0.960 | 0.944 | 0.928 | 0.913 | 0.884 |
| 700 | 932 | 1.000 | 0.982 | 0.965 | 0.948 | 0.932 | 0.916 | 0.901 | 0.872 |
| 800 | 921 | 0.988 | 0.971 | 0.954 | 0.937 | 0.921 | 0.906 | 0.891 | 0.862 |
| 900 | 910 | 0.977 | 0.959 | 0.942 | 0.926 | 0.910 | 0.895 | 0.880 | 0.852 |
| 1000 | 898 | 0.964 | 0.946 | 0.930 | 0.914 | 0.898 | 0.883 | 0.868 | 0.841 |
| 1200 | 878 | 0.942 | 0.925 | 0.909 | 0.893 | 0.878 | 0.863 | 0.849 | 0.822 |
| 1400 | 856 | 0.919 | 0.902 | 0.886 | 0.871 | 0.856 | 0.842 | 0.828 | 0.801 |
| 1600 | 836 | 0.897 | 0.881 | 0.866 | 0.851 | 0.836 | 0.822 | 0.808 | 0.783 |
| 1800 | 815 | 0.875 | 0.859 | 0.844 | 0.829 | 0.815 | 0.801 | 0.788 | 0.763 |
| 2000 | 794 | 0.852 | 0.837 | 0.822 | 0.808 | 0.794 | 0.781 | 0.768 | 0.743 |
| 2400 | 755 | 0.810 | 0.796 | 0.782 | 0.768 | 0.755 | 0.742 | 0.730 | 0.707 |
| 2800 | 714 | 0.766 | 0.753 | 0.739 | 0.726 | 0.714 | 0.702 | 0.690 | 0.668 |
| 3200 | 675 | 0.724 | 0.711 | 0.699 | 0.687 | 0.675 | 0.664 | 0.653 | 0.632 |
| 3600 | 635 | 0.682 | 0.669 | 0.657 | 0.646 | 0.635 | 0.624 | 0.614 | 0.594 |
| 4000 | 616 | 0.661 | 0.649 | 0.638 | 0.627 | 0.616 | 0.606 | 0.596 | 0.577 |

Declaración de conformidad según ISO / IEC 17050-1

Fabricante: RIELLO S.p.A.
 Dirección: Via Pilade Riello, 7
 37045 Legnago (VR)
 Producto: Quemadores de gas con aire soplado
 Modelo: RS 70/M
 RS 100/M
 RS 130/M

Estos productos están conformes con las siguientes Normas Técnicas:

EN 676
 EN 12100

y según lo dispuesto por las Directivas Europeas:

| | | |
|-----|-------------|---------------------------------|
| GAD | 2009/142/CE | Directiva Aparatos de Gas |
| MD | 2006/42/CE | Directiva Máquinas |
| LVD | 2006/95/CE | Directiva Baja Tensión |
| EMC | 2004/108/CE | Compatibilidad Electromagnética |

Estos productos están marcados como se indica a continuación:



CE-0085AQ0708 Clase 1 (EN 676)

La calidad está garantizada mediante un sistema de calidad y management certificado según UNE EN ISO 9001.

Legnago, 03.09.2014

Director general
 RIELLO S.p.A. - Dirección Quemadores
 Ing. U. Ferretti

Director Investigación y Desarrollo
 RIELLO S.p.A. - Dirección Quemadores
 Ing. R. Cattaneo

| Sección | | Pág. |
|----------|--|-----------|
| 1 | Informaciones y advertencias generales | 3 |
| | 1.1 Información sobre el manual de instrucción | 3 |
| | 1.2 Garantía y responsabilidades | 3 |
| 2 | Seguridad y prevención | 4 |
| | 2.1 Introducción | 4 |
| | 2.2 Adiestramiento del personal | 4 |
| 3 | Descripción técnica del quemador | 5 |
| | 3.1 Designación quemadores | 5 |
| | 3.2 Modelos disponibles | 5 |
| | 3.3 Categorías del quemador - países de destino | 5 |
| | 3.4 Datos técnicos | 6 |
| | 3.5 Datos eléctricos | 6 |
| | 3.6 Peso quemador | 6 |
| | 3.7 Dimensiones | 7 |
| | 3.8 Campos de trabajo | 8 |
| | 3.9 Componentes del quemador | 9 |
| | 3.10 Material suministrado en dotación | 9 |
| | 3.11 Caja de control de la relación aire/combustible | 10 |
| | 3.12 Servomotor | 10 |
| 4 | Instalación | 11 |
| | 4.1 Notas sobre la seguridad para la instalación | 11 |
| | 4.2 Traslado | 11 |
| | 4.3 Controles preliminares | 11 |
| | 4.4 Posición de funcionamiento | 12 |
| | 4.5 Fijación del quemador a la caldera | 12 |
| | 4.6 Regulación del cabezal de combustión | 14 |
| | 4.7 Montaje de la rampa de gas | 15 |
| | 4.8 Línea alimentación de gas | 16 |
| | 4.9 Conexiones eléctricas | 17 |
| | 4.10 Calibración del relé térmico | 18 |
| 5 | Puesta en funcionamiento, calibración y funcionamiento del quemador | 19 |
| | 5.1 Notas sobre la seguridad para la primera puesta en funcionamiento | 19 |
| | 5.2 Operaciones antes de la puesta en funcionamiento | 19 |
| | 5.3 Arranque del quemador | 20 |
| | 5.4 Encendido del quemador | 20 |
| | 5.5 Regulación del quemador | 20 |
| | 5.6 Secuencia de funcionamiento del quemador | 23 |
| | 5.7 Apagado del quemador en funcionamiento | 23 |
| | 5.8 Parada del quemador | 23 |
| | 5.9 Medición de la corriente de ionización | 24 |
| | 5.10 Control de la presión del aire y del gas en el cabezal de combustión | 24 |
| | 5.11 Controles finales (con el quemador funcionando) | 24 |
| 6 | Anomalías - Causas - Soluciones | 25 |
| | 6.1 Funcionamiento normal/Tiempo de detección llama | 26 |
| 7 | Mantenimiento | 27 |
| | 7.1 Notas sobre la seguridad para el mantenimiento | 27 |
| | 7.2 Programa de mantenimiento | 27 |
| | 7.3 Apertura del quemador | 28 |
| | 7.4 Cierre del quemador | 28 |
| A | Apéndice - Esquema cuadro eléctrico | 29 |
| B | Apéndice - Accesorios (sobre demanda) | 35 |
| C | Apéndice - Presión de alimentación de gas | 37 |
| D | Apéndice - Campo de trabajo en función de la densidad del aire | 38 |

1.1 Información sobre el manual de instrucción

Introducción

El manual de instrucción entregado como suministro del quemador:

- constituye parte integrante y fundamental del producto y no se lo debe separar del quemador; por lo tanto debe conservarse con cuidado para toda necesidad de consulta y debe acompañar al quemador incluso en caso de entregarse a otro propietario o usuario, o en caso de transferencia a otra instalación. En caso de daño o extravío debe solicitarse otro ejemplar al Servicio Técnico de Asistencia **RIELLO** de la Zona;
- fue realizado para uso de personal calificado;
- suministra importantes indicaciones y advertencias sobre la seguridad de la instalación, la puesta en funcionamiento, el uso y el mantenimiento del quemador.

Simbología utilizada en el manual

En algunas partes del manual figuran señales triangulares de PELIGRO. Prestar mucha atención a las mismas ya que indican una situación de peligro potencial.

PELIGROS GENERALES

Los **peligros** pueden ser de **3 niveles**, como se indica a continuación.



PELIGRO

¡Máximo nivel de peligro!

Este símbolo distingue a las operaciones que si no se ejecutan correctamente causarán graves lesiones, muerte o riesgos a largo plazo para la salud.



ATENCIÓN

Este símbolo distingue a las operaciones que si no se ejecutan correctamente podrían causar graves lesiones, muerte o riesgos a largo plazo para la salud.



PRECAUCIÓN

Este símbolo distingue a las operaciones que si no se ejecutan correctamente podrían causar daños a la máquina y/o a las personas.

1.2 Garantía y responsabilidades

RIELLO garantiza sus productos nuevos a partir de la fecha de instalación según las normativas vigentes y/o de acuerdo con el contrato de venta. Verificar, en el momento de la primera puesta en funcionamiento, que el quemador esté en buen estado y completo.



ATENCIÓN

La inobservancia de todo lo descrito en este manual, la negligencia operativa, una instalación incorrecta y la realización de modificaciones no autorizadas serán causa de anulación por parte de **RIELLO**, de la garantía que la misma otorga al quemador.

En particular, los derechos a la garantía y a la responsabilidad caducarán, en caso de daños a personas y/o cosas cuando los daños hayan sido originados por una o más de las siguientes causas:

- instalación, puesta en funcionamiento, uso y mantenimiento del quemador incorrectos;
- uso impropio, erróneo e irracional del quemador;
- intervención de personal no habilitado;
- realización de modificaciones no autorizadas en el aparato;
- uso del quemador con dispositivos de seguridad defectuosos, aplicados en forma incorrecta y/o que no funcionen;

PELIGRO COMPONENTES CON TENSIÓN



PELIGRO

Este símbolo distinguirá las operaciones que si no se ejecutan correctamente causarán descargas eléctricas con consecuencias mortales.

Otros símbolos



DEFENSA DEL MEDIO AMBIENTE

Este símbolo suministra indicaciones para usar la máquina respetando el medio ambiente.



Este símbolo distingue a una lista.

Abreviaturas utilizadas

| | |
|------|----------|
| Cap. | Capítulo |
| Fig. | Figura |
| Pág. | Página |
| Sec. | Sección |
| Tab. | Tabla |

Entrega de la instalación y del manual de instrucción

En ocasión de la entrega de la instalación es necesario que:

- El manual de instrucción sea entregado por el proveedor de la instalación al usuario, con la advertencia de que dicho manual debe ser conservado en el local de la instalación del generador de calor.
 - En el manual de instrucción figuran:
 - el número de matrícula del quemador;
 - la dirección y el número de teléfono del Centro de Asistencia más cercano;
 - El proveedor de la instalación informe con precisión al usuario acerca de:
 - el uso de la instalación,
 - eventuales pruebas adicionales necesarias de realizar antes de la activación de la instalación,
 - el mantenimiento y la necesidad de controlar la instalación por lo menos una vez al año por parte de un encargado de la empresa fabricante o de otro técnico especializado.
- Para garantizar un control periódico, **RIELLO** se recomienda estipular un Contrato de Mantenimiento.

- instalación de los componentes adicionales no probados junto con el quemador;
- alimentación del quemador con combustibles no aptos;
- defectos en la instalación de alimentación del combustible;
- uso del quemador aunque se compruebe algún error y/o anomalía;
- reparaciones y/o revisiones realizadas en forma incorrecta;
- modificación de la cámara de combustión mediante introducción de elementos que impidan el normal desarrollo de la llama implementada en fábrica;
- insuficiente e inadecuada vigilancia y cuidado de los componentes del quemador que están mayormente sujetos a desgaste;
- uso de componentes no originales **RIELLO**, sean éstos recambios, kits, accesorios y opcionales;
- causas de fuerza mayor.

RIELLO además declina toda y cualquier responsabilidad por la inobservancia de todo cuanto mencionado en el presente manual.

2.1 Introducción

Los quemadores **RIELLO** fueron diseñados y fabricados en conformidad con las normas y directivas vigentes, aplicando las regulaciones técnicas de seguridad conocidas y previniendo todas las situaciones de peligro potenciales.

Sin embargo es necesario considerar que usar el aparato de modo imprudente y sin experiencia puede causar situaciones de peligro mortales para el usuario o terceros, además de daños al quemador y a otros bienes. La distracción, imprevisión y demasiada confianza a menudo son causa de accidentes; como pueden serlo el cansancio y la somnolencia.

Es conveniente tener en cuenta lo siguiente:

- El quemador debe destinarse sólo al uso para el cual fue expresamente previsto. Todo otro uso debe considerarse impropio y por lo tanto peligroso.

En detalle:

puede ser aplicado a calderas de agua, de vapor, de aceite diatérmico, y a otros dispositivos expresamente previstos por el fabricante;

el tipo y la presión del combustible, la tensión y la frecuencia de la corriente eléctrica de alimentación, los caudales mínimos y máximos con los cuales está regulado el quemador, la presurización de la cámara de combustión, las dimensiones de la cámara de combustión, la temperatura ambiente, deben estar comprendidos dentro de los valores indicados en el manual de instrucción.

- No está permitido modificar el quemador para alterar las prestaciones ni los destinos.
- El uso del quemador se debe realizar en condiciones de seguridad técnica irreprochables. Los eventuales inconvenientes que puedan comprometer la seguridad se deben eliminar inmediatamente.
- No está permitido abrir o alterar los componentes del quemador, excepto aquellas partes previstas en el mantenimiento.
- Se pueden sustituir exclusivamente las piezas previstas por el fabricante.

2.2 Adiestramiento del personal

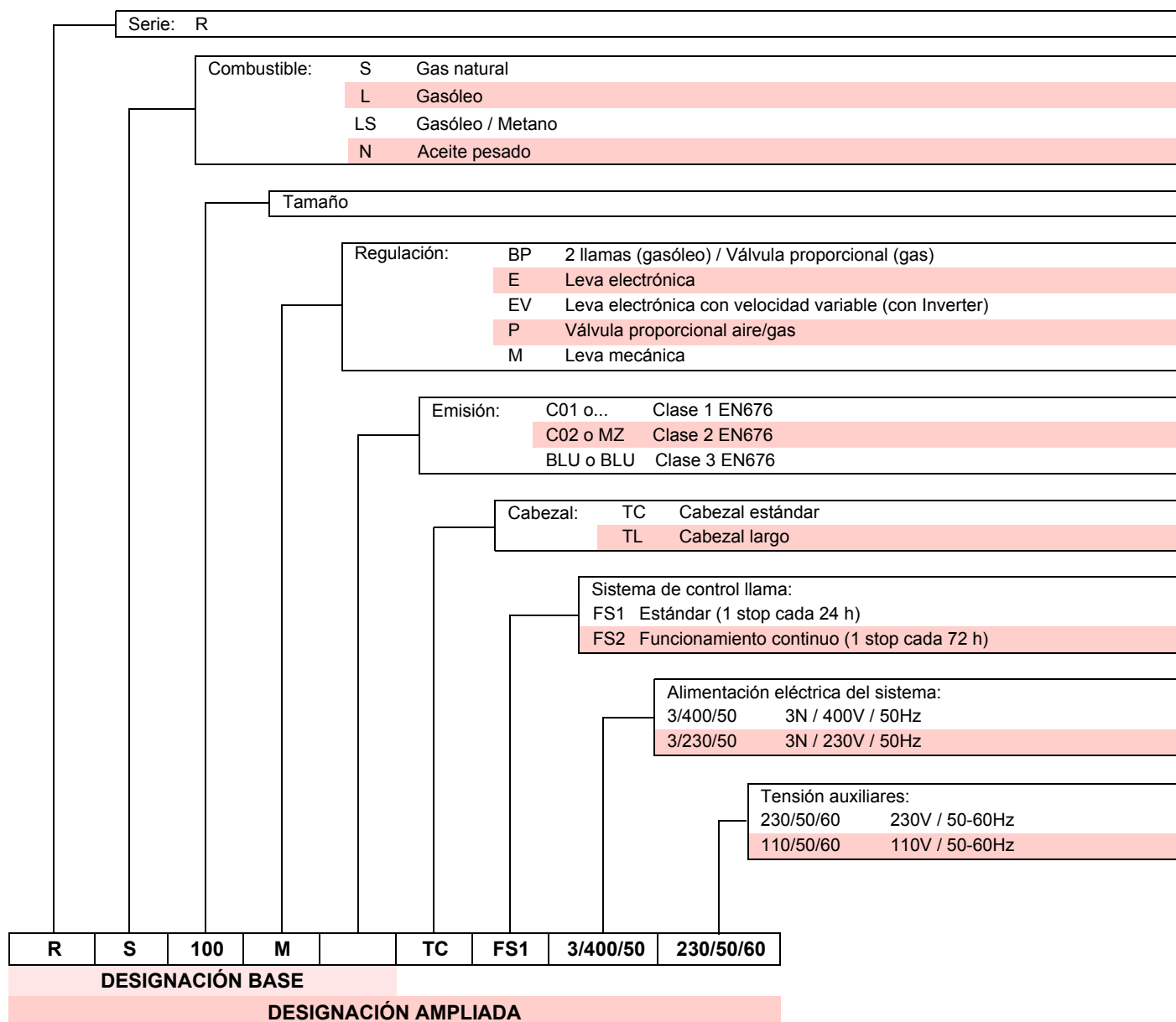
El usuario es la persona, entidad o empresa que compra la máquina y cuya intención es usarla con el fin para el cual fue concebida. Suya es la responsabilidad de la máquina y del adiestramiento de aquellos que trabajen en ella.

El usuario:

- está obligado a confiar la máquina exclusivamente a personal calificado y adiestrado para ese fin;
- es responsable de tomar todas las medidas necesarias para evitar que personas no autorizadas tengan acceso a la máquina;
- está obligado a informar a su personal en forma conveniente sobre la aplicación y observancia de las prescripciones de seguridad. Para ello se responsabiliza de que cualquiera dentro de sus atribuciones tenga conocimiento de las instrucciones para el uso y de las prescripciones de seguridad;
- deberá informar a la empresa fabricante en caso de que compruebe defectos o mal funcionamiento de los sistemas de prevención de accidentes, además de toda situación de supuesto peligro.

- El personal siempre deberá usar los medios de protección individual previstos por la legislación y cumplir todo lo mencionado en el presente manual.
- El personal deberá atenerse a todas las indicaciones de peligro y de precaución señalizadas en la máquina.
- El personal no deberá emplear su propia iniciativa en operaciones o intervenciones que no sean de su competencia.
- El personal tiene la obligación de manifestar a su superior todo problema o situación de peligro que pudiera crearse.
- El montaje de las piezas de otras marcas o eventuales modificaciones pueden cambiar las características de la máquina y por lo tanto perjudicar la seguridad operativa. Por lo tanto, la empresa fabricante declina toda y cualquier responsabilidad por los daños que pudieran surgir causados por el uso de piezas no originales.

3.1 Designación quemadores



3.2 Modelos disponibles

| Designación | Tensión | Código | Tensión | Código |
|-------------|--------------------------|-------------------|-----------------------|---------|
| RS 70/M | TC 3 ~ 400 / 230V - 50Hz | 3789600 - 3789610 | 3 ~ 380 / 220V - 60Hz | 3787082 |
| RS 70/M | TL 3 ~ 400 / 230V - 50Hz | 3789601 - 3789611 | 3 ~ 380 / 220V - 60Hz | 3787083 |
| RS 100/M | TC 3 ~ 400 / 230V - 50Hz | 3789700 - 3789710 | 3 ~ 380 / 220V - 60Hz | 3787282 |
| RS 100/M | TL 3 ~ 400 / 230V - 50Hz | 3789701 - 3789711 | 3 ~ 380 / 220V - 60Hz | 3787283 |
| RS 130/M | TC 3 ~ 400 / 230V - 50Hz | 3789800 - 3789810 | 3 ~ 380 / 220V - 60Hz | 3787482 |
| RS 130/M | TL 3 ~ 400 / 230V - 50Hz | 3789801 - 3789811 | 3 ~ 380 / 220V - 60Hz | 3787483 |

3.3 Categorías del quemador - países de destino

| País de destino | Categoría gas |
|--|---------------|
| BE | I2E(R) - I3 |
| CY - CZ - MT | I3B/P |
| LU - PL | I12E3B/P |
| DE | I12ELL3B/P |
| FR | I12Er3P |
| IT | I12H3 |
| ES - GB - IE - PT | I12H3 |
| AT - CH - CZ - DK - EE - FI - GR - HU - IE IS - LT - NO - SE - SI - SK - TR | I12H3B/P |
| NL | I12L3B/P |

3.4 Datos técnicos

| Modelo | | | RS 70/M | RS 100/M | RS 130/M | RS 70/M | RS 100/M | RS 130/M | |
|--|--------|--------|--|------------|------------|-----------|------------|------------|-----------|
| Tipo | | | 828T1 | 829T1 | 830T1 | 828T80 | 829T80 | 830T80 | |
| Potencia (1) | máxima | kW | 470 - 930 | 700 - 1340 | 920 - 1600 | 470 - 930 | 700 - 1340 | 920 - 1600 | |
| | | Mcal/h | 404 - 800 | 602 - 1152 | 791 - 1376 | 404 - 800 | 602 - 1152 | 791 - 1376 | |
| Potencia (1) | mínima | kW | 150 | 150 | 254 | 150 | 150 | 254 | |
| | | Mcal/h | 129 | 129 | 218 | 129 | 129 | 218 | |
| Combustible | | | Gas natural: G20 - G23 - G25 | | | | | | |
| Presión gas potencia máx. (2) - Gas: G20/G25 | | | mbar | 15,7/22,9 | 15,5/21,9 | 12,7/18,9 | 15,7/22,9 | 15,5/21,9 | 12,7/18,9 |
| Funcionamiento | | | Intermitente (mín. 1 paro en 24 horas) | | | | | | |
| Utilización estándar | | | Calderas: de agua, a vapor y aceite diatérmico | | | | | | |
| Temperatura ambiente | | | °C | | | | | | |
| Temperatura aire comburente | | | °C max | | | | | | |
| Temperatura ambiente | | | 0 - 40 | | | | | | |
| Temperatura aire comburente | | | 60 | | | | | | |
| Nivel sonoro (3) | | | dBA | 75 | 77 | 78,5 | 75 | 77 | 78,5 |

(1) Condiciones de referencia: Temperatura ambiente 20°C - Temperatura gas 15°C - Presión barométrica 1013 mbar - Altitud sobre el nivel del mar 0 m.

(2) Presión aguas arriba de la rampa de gas 1)(Fig. 19) como se declara en la Normativa EN676, con 0 mbar en la cámara de combustión y a la potencia máxima del quemador.

(3) Presión acústica medida en el laboratorio de combustión del constructor, con quemador funcionando en caldera de prueba a la máxima potencia.

3.5 Datos eléctricos

Motor IE1

| Tipo | | 828T1 | 829T1 | 830T1 | 828T80 | 829T80 | 830T80 |
|--------------------------------------|--------------------|--|----------------------|----------------------|--|----------------------|----------------------|
| Alimentación eléctrica | | 3 ~ 400V / 230 V 1N ~ 230V +/-10% 50 Hz (Véase el Cap. 3.2) | | | 3 ~ 380V / 220 V 1N ~ 220V +/-10% 60 Hz (Véase el Cap. 3.2) | | |
| Motor ventilador (datos de la placa) | rpm | 2800 | 2830 | 2860 | 3400 | 3500 | 3500 |
| | V | 220/240 - 380/415 | 220/240 - 380/415 | 220/240 - 380/415 | 208/230 - 380/460 | 208/230 - 380/460 | 208/230 - 380/460 |
| | kW | 1,1 | 1,5 | 2,2 | 1,1 | 2,2 | 2,2 |
| Corriente de funcionamiento | A | 4,7 - 2,7 | 6,4 - 3,7 | 8,5 - 4,9 | 4,7 - 2,7 | 7,8 - 3,9 | 7,8 - 3,9 |
| Corriente de arranque | A | 33 - 19 | 48 - 28 | 68 - 39 | 28 - 16 | 43 - 25 | 64 - 37 |
| Transformador de encendido | V1 - V2 I1 - I2 | 230 V - 1 x 8 kV 1 A - 20 mA | | | | | |
| Potencia eléctrica absorbida | kW máx | 1,4 | 1,8 | 2,6 | 1,4 | 1,8 | 2,6 |
| Grado de protección | | IP 44 | | | | | |

Motor IE2

| Tipo | | 828T1 | 829T1 | 830T1 | 828T80 | 829T80 | 830T80 |
|--------------------------------------|--------------------|--|-----------|-----------|--|-----------|-----------|
| Alimentación eléctrica | | 3 ~ 400V / 230 V 1N ~ 230V +/-10% 50 Hz (Véase el Cap. 3.2) | | | 3 ~ 380V / 220 V 1N ~ 220V +/-10% 60 Hz (Véase el Cap. 3.2) | | |
| Motor ventilador (datos de la placa) | rpm | 2860 | 2860 | 2860 | 3475 | 3500 | 3500 |
| | V | 230 / 400 | 230 / 400 | 230 / 400 | 220 / 380 | 220 / 380 | 220 / 380 |
| | kW | 1,1 | 1,5 | 2,2 | 1,1 | 2,2 | 2,2 |
| Corriente de funcionamiento | A | 4,1 - 2,4 | 5,5 - 3,4 | 7,9 - 4,6 | 4,6 - 2,7 | 8,1 - 4,7 | 8,1 - 4,7 |
| Corriente de arranque | A | | | | 28 - 18 | 69 - 40 | 69 - 40 |
| Transformador de encendido | V1 - V2 I1 - I2 | 230 V - 1 x 8 kV 1 A - 20 mA | | | | | |
| Potencia eléctrica absorbida | kW máx | 1,4 | 1,8 | 2,6 | 1,4 | 1,8 | 2,6 |
| Grado de protección | | IP 44 | | | | | |

3.6 Peso quemador

El peso del quemador incluyendo el embalaje figura en la tabla.

| Modelo | kg |
|----------|----|
| RS 70/M | 70 |
| RS 100/M | 73 |
| RS 130/M | 76 |

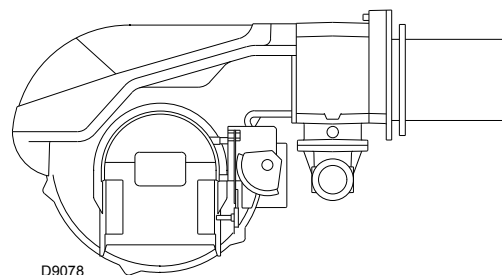
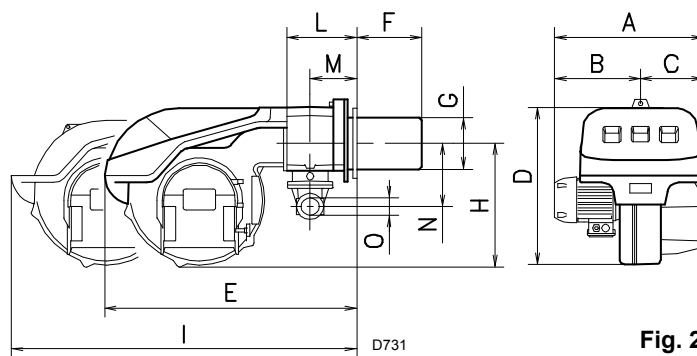


Fig. 1

3.7 Dimensiones

Las dimensiones del quemador se muestran en la Fig. 2. Tener en cuenta que para inspeccionar el cabezal de combustión, el quemador debe abrirse desplazando la parte posterior por las guías.

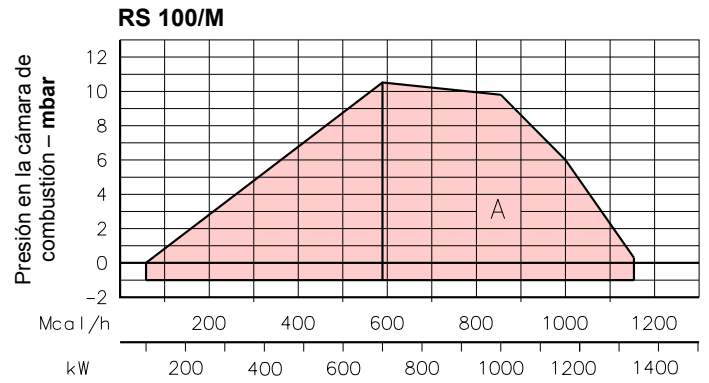
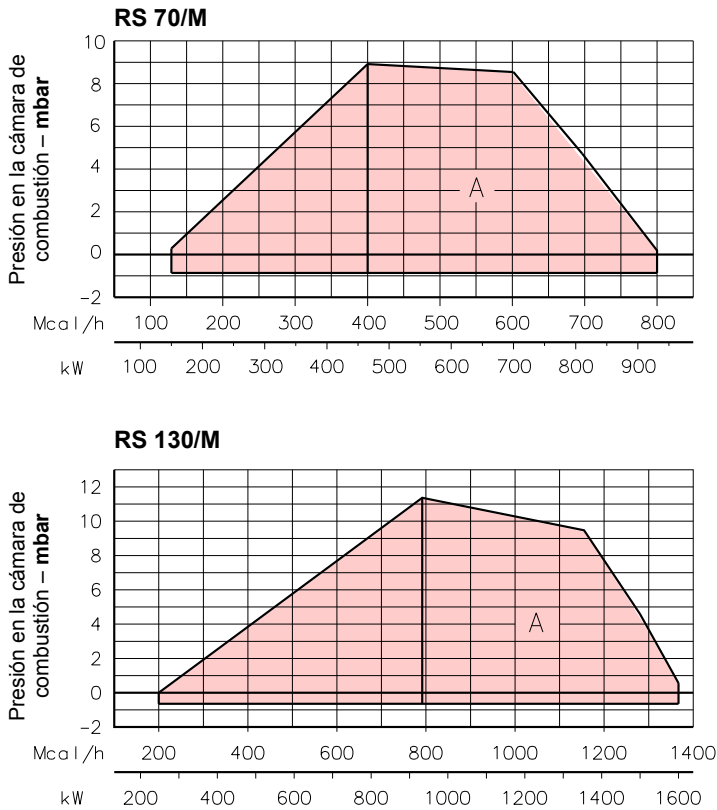
Las dimensiones del quemador abierto están indicadas por la cota I.



| mm | A | B | C | D | E | F ⁽¹⁾ | G | H | I ⁽¹⁾ | L | M | N | O |
|----------|-----|-----|-----|-----|-----|------------------|-----|-----|------------------|-----|-----|-----|----|
| RS 70/M | 511 | 296 | 215 | 555 | 840 | 250-385 | 179 | 430 | 1161-1296 | 214 | 134 | 221 | 2" |
| RS 100/M | 527 | 312 | 215 | 555 | 840 | 250-385 | 179 | 430 | 1161-1296 | 214 | 134 | 221 | 2" |
| RS 130/M | 553 | 338 | 215 | 555 | 840 | 280-415 | 189 | 430 | 1161-1296 | 214 | 134 | 221 | 2" |

(1) Tubo llama: corto-largo

3.8 Campos de trabajo



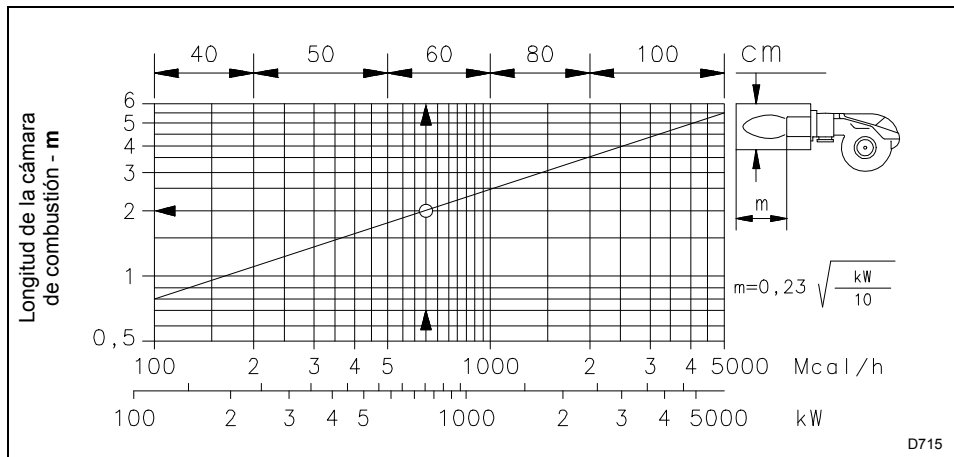
La **potencia máxima** debe elegirse dentro del área **A** del gráfico.

La **potencia mínima** no debe ser inferior al límite mínimo del gráfico:

Atención

El campo de trabajo se ha calculado considerando una temperatura ambiente de 20 °C, una presión barométrica de 1.013 mbar (aprox. a 0 m s.n.m.) y con el cabezal de combustión regulado como se indica en el Cap. 4.6.

Fig. 3



Los gráficos se han obtenido con calderas de prueba especiales, según la norma EN 676. En la Fig. 4 se indica el diámetro y longitud de la cámara de combustión de prueba.

Ejemplo

Potencia 756 kW (650 Mcal/h):
diámetro 60 cm,
longitud 2 m.

El acoplamiento estará asegurado si la caldera tiene la homologación CE; para calderas o hornos con cámaras de combustión de dimensiones muy diferentes a las indicadas en el gráfico de la Fig. 4 se recomienda realizar controles preliminares.

Fig. 4

3.9 Componentes del quemador

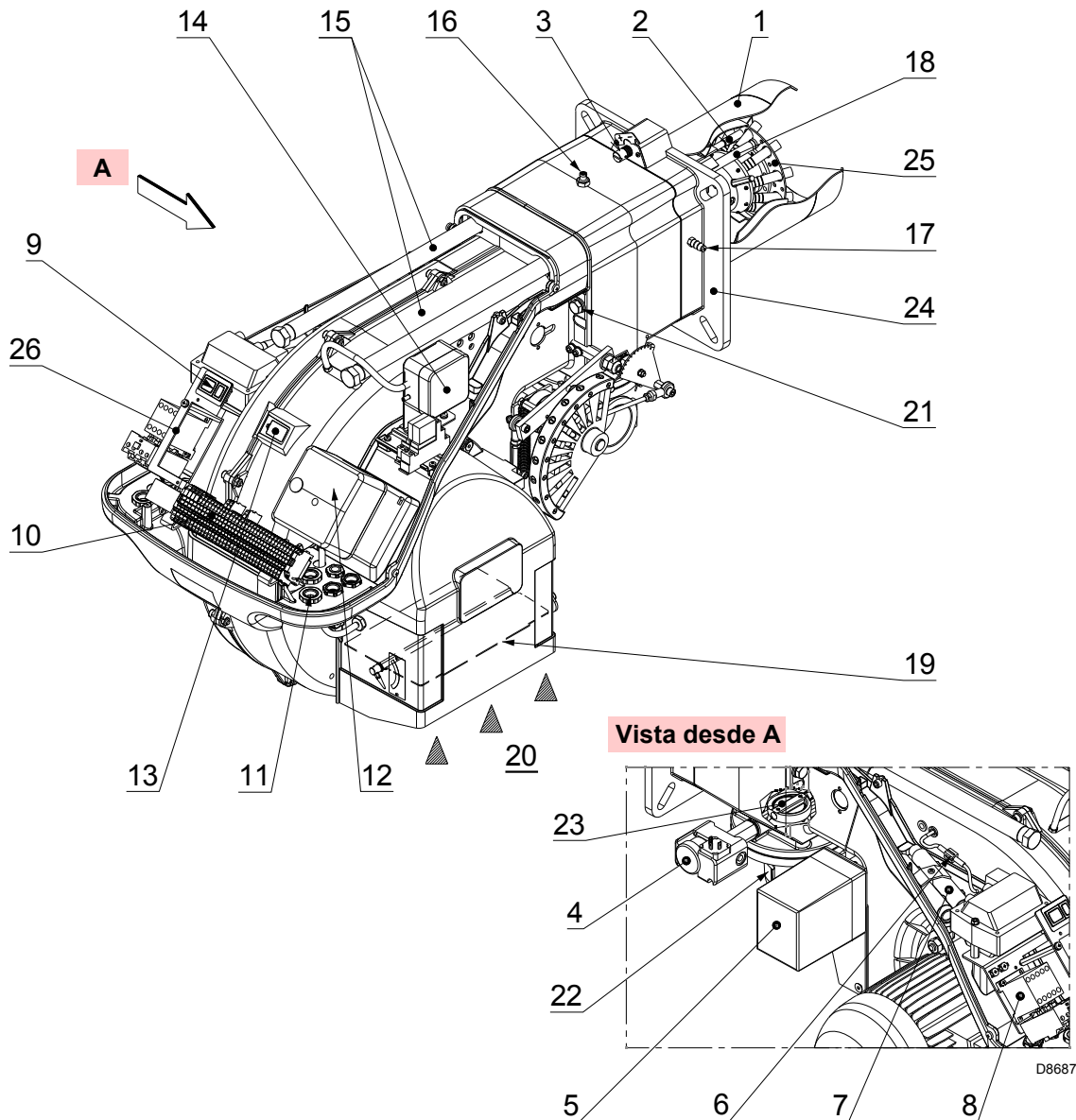


Fig. 5

- | | | | | | |
|---|---|----|---|----|---|
| 1 | Cabezal de combustión | 7 | Alargadores para guías 15) | 16 | Toma de presión gas y tornillo fijación cabezal |
| 2 | Electrodo de encendido | 8 | Contactador motor y relé térmico con pulsador de desbloqueo | 17 | Toma de presión aire |
| 3 | Tornillo regulación cabezal de combustión | 9 | Un interruptor para: funcionamiento automático - manual - paro | 18 | Sonda para controlar la presencia de llama |
| 4 | Presostato gas de máxima | 10 | Un pulsador para: aumento - disminución de potencia | 19 | Registro de aire |
| 5 | Servomotor, para el control de la válvula de mariposa del gas y, mediante una leva de perfil variable, el registro del aire. | 11 | Regleta de conexión eléctrica | 20 | Entrada aire del ventilador |
| 6 | Conector macho-hembra cable sonda de ionización | 12 | Conexiones eléctricas a cargo del instalador | 21 | Tornillos fijación del ventilador al manguito |
| | Cuando el quemador está parado, el registro del aire está completamente cerrado para reducir al mínimo la dispersión térmica de la caldera debido al tiro de la chimenea que toma aire de la boca de aspiración del ventilador. | 13 | Caja de control con piloto luminoso de bloqueo y pulsador de desbloqueo | 22 | Conducto entrada gas |
| | | 14 | Visor llama | 23 | Válvula mariposa gas |
| | | 15 | Presostato aire (tipo diferencial) | 24 | Brida para fijación a la caldera |
| | | | Guías para abertura del quemador e inspección del cabezal de combustión | 25 | Disco estabilizador de llama |
| | | | | 26 | Brida para aplicar el regulador de potencia RWF40 |

3.10 Material suministrado en dotación

El quemador se entrega con:

- Brida para rampa de gas
- Junta para brida
- 4 tornillos para fijar la brida M8x25
- Junta aislante
- Alargadores 7) per guías 15): sólo para versiones TL

3.11 Caja de control de la relación aire/combustible

Introducción

La caja de control RMG/M 88.62... montada en los quemadores serie **RS**, está proyectada para el control y el arranque de quemadores de gas de aire soplado con funcionamiento intermitente.

De acuerdo con:

- Norma técnica EN676 (quemadores de gas)
- Norma técnica EN298 (aparatos de gas)



Fig. 6



Todas las operaciones de instalación, mantenimiento y desmontaje deben ser realizadas en su totalidad con la red eléctrica desconectada. Para evitar daños a cosas o personas, no abra ni modifique la caja.



La instalación de la caja debe ser realizada por personal habilitado, de acuerdo con las normas y disposiciones de ley vigentes.

Datos técnicos

| | |
|--|--------------------------------|
| Alimentación eléctrica | AC 220.....240V +10% / -15% |
| Frecuencia | 50.....60 Hz +/- 6% |
| Fusible interno | T6,3H250V |
| Funcionamiento inferior del valor nominal de alimentación eléctrica | |
| Valor mínimo de funcionamiento al disminuir la alimentación eléctrica desde el valor nominal | aproximadamente AC 160 V |
| Valor mínimo de funcionamiento al aumentar la alimentación eléctrica hacia el valor nominal | aproximadamente AC 175 V |
| Carga máxima de los contactos: | |
| Salida de alarma | |
| Alimentación nominal | AC 230 V, 50/60 Hz |
| Corriente máxima | 0,5 A |

- N° 4 tornillos para fijar la brida del quemador a la caldera M12x35
- Manual de instrucciones
- Lista de recambios

| | |
|------------------------------------|----------------------|
| Longitud cables permitida | |
| Termóstato | máx. 20 m a 100 pF/m |
| Presostato aire | máx. 1 m a 100 pF/m |
| CPI | máx. 1 m a 100 pF/m |
| Presostato gas | máx. 20 m a 100 pF/m |
| Detector de llama | max. 1 m |
| Desbloqueo a distancia | máx. 20 m a 100 pF/m |
| Par de apriete tornillos M4 | máx. 0,8 Nm |

3.12 Servomotor

El servomotor regula simultáneamente el registro del aire mediante la leva de perfil variable y la válvula de mariposa del gas. El servomotor gira a 130° en 42 segundos.



No modificar la regulación efectuada en fábrica de las 5 levas con que va dotado; verificar simplemente que las levas estén reguladas del siguiente modo:

Leva I: 130°

Limita la rotación máxima.

Con el quemador funcionando a la MÁX potencia, la válvula de mariposa del gas debe estar completamente abierta: 90°.

Leva II: 0°

Limita la rotación mínima.

Con el quemador parado, el registro de aire y la válvula de mariposa del gas deben estar cerrados: 0°.

Leva III: 30°

Regula la posición de encendido y de la potencia MÍN.

Leva V: solidaria con la leva III.

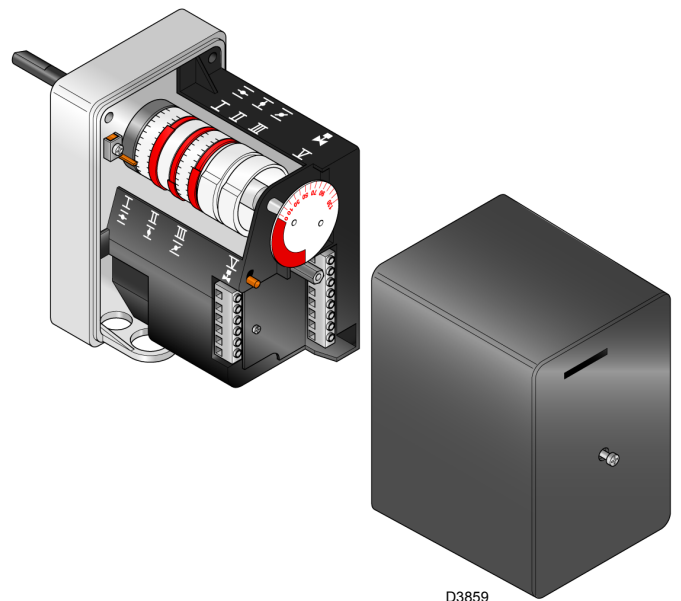



Fig. 7


4.1 Notas sobre la seguridad para la instalación

Después de realizar una cuidadosa limpieza en toda el área de la instalación del quemador y de proveer una correcta iluminación del ambiente, proceder con las operaciones de instalación.



PELIGRO

Todas las operaciones de instalación, mantenimiento y desmontaje deben ser realizadas en su totalidad con la red eléctrica desconectada.




ATENCIÓN

El quemador debe ser instalado por personal habilitado según todo lo indicado en el presente manual y en conformidad con las normas y disposiciones de ley vigentes.


4.2 Traslado

El embalaje del quemador incluye la plataforma de madera, por lo tanto es posible trasladar el quemador incluso cuando todavía está embalado, con carretilla transpalet o carretilla elevadora de horquillas.



ATENCIÓN

Las operaciones de traslado del quemador pueden ser muy peligrosas si no se realizan con la máxima atención: mantener alejados a los no involucrados en la actividad; controlar que los medios a disposición sean aptos y estén en buen estado. Debe comprobarse además, que la zona en la cual se trabaja esté libre de obstáculos y que exista una zona de escape suficiente, o sea una zona libre y segura a la cual poder desplazarse rápidamente en caso de que el quemador se cayera. Durante el traslado mantener la carga a no más de 20-25 cm del piso.




PRECAUCIÓN

Después de colocar el quemador cerca de la instalación, eliminar correctamente todos los residuos del embalaje diferenciando los diferentes tipos de materiales. Antes de proceder con operaciones de instalación, realizar una cuidadosa limpieza en toda el área destinada a la instalación del quemador.


4.3 Controles preliminares

Control del suministro



PRECAUCIÓN

Después de quitar todo el embalaje, asegurarse de que el contenido esté en buen estado. En caso de dudas no utilizar el quemador y dirigirse al proveedor.



Los elementos del embalaje (jaula de madera o caja de cartón, clavos, grapas, bolsas de plástico, etc.) no deben dejarse abandonados porque son potenciales fuentes de peligro y de contaminación, sino que se deben recoger y depositar en un lugar preparado para ese fin.

Control de las características del quemador

Controlar la placa de identificación del quemador, en la cual figuran:

- el modelo (véase **A** en la Fig. 8) y el tipo de quemador (**B**);
 - el año de fabricación criptografiado (**C**);
 - el número de matrícula (**D**);
 - los datos de la alimentación eléctrica y el grado de protección (**E**);
 - la potencia eléctrica absorbida (**F**);
 - los tipos de gas a usar y las correspondientes presiones de alimentación (**G**);
 - los datos de la potencia mínima y máxima posibles del quemador (**H**) (véase Campo de trabajo)
- Atención.** La potencia del quemador debe estar comprendida dentro del campo de trabajo de la caldera;
- la categoría del aparato/países de destino (**I**).



| | | | |
|---|----------|----------|------------------------------------|
| RBL | A | B | C |
| D | E | | F |
| GAS-KAASU ☒ | G | | H |
| GAZ-AEPIO | G | | H |
| I | | | RIELLO SpA I-37045 Legnago (VR) |
|  | | | CE 0085 |

Fig. 8

D7738



ATENCIÓN

La alteración, eliminación, la ausencia de la placa de identificación del quemador y todo cuanto no permita la correcta identificación del quemador y dificulte los trabajos instalación y mantenimiento.

4.4 Posición de funcionamiento

El quemador está preparado exclusivamente para el funcionamiento en las posiciones **1, 2, 3 y 4**.

Es conveniente escoger la instalación **1** puesto que es la única que permite el mantenimiento tal como descrito a continuación en este manual. Las instalaciones **2, 3 y 4** permiten el funcionamiento pero complican las operaciones de mantenimiento y de inspección del cabezal de combustión.

Cualquier otro posicionamiento debe considerarse comprometedor para el funcionamiento correcto del aparato. La instalación **5** está prohibida por motivos de seguridad.

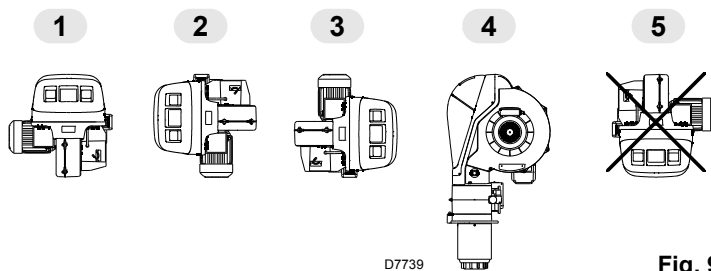


Fig. 9

4.5 Fijación del quemador a la caldera

Preparación de la caldera

Perforación de la placa caldera

Taladrar la placa de cierre de la cámara de combustión tal como se indica en la Fig. 10. Puede marcarse la posición de los orificios roscados utilizando la junta aislante que se suministra con el quemador.

| mm | A | B | C |
|----------|-----|-----------|------|
| RS 70/M | 185 | 275 - 325 | M 12 |
| RS 100/M | 185 | 275 - 325 | M 12 |
| RS 130/M | 185 | 275 - 325 | M 12 |

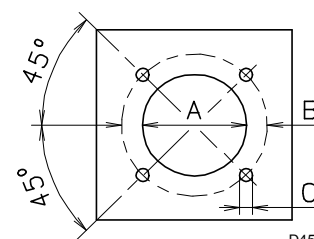


Fig. 10

Longitud de tubo llama

La longitud del tubo llama debe seleccionarse de acuerdo con las indicaciones del fabricante de la caldera y, en cualquier caso, debe ser mayor que el espesor de la puerta de la caldera completa, con el material refractario incluido.

Las longitudes L disponibles son las indicadas en la tabla de abajo.

| Tubo llama | corto | largo |
|------------|--------|--------|
| RS 70/M | 250 mm | 385 mm |
| RS 100/M | 250 mm | 385 mm |
| RS 130/M | 280 mm | 415 mm |

Para calderas con pasos de humos delanteros 15) o con cámara de inversión de llama, colocar una protección de material refractario 13) entre el refractario de la caldera 14) y el tubo de llama 12). Esta protección debe permitir el desplazamiento del tubo de llama. Véase Fig. 11.

En calderas con frente refrigerado por agua, no es necesario el revestimiento refractario 13)-14) salvo que lo indique expresamente el fabricante de la caldera.

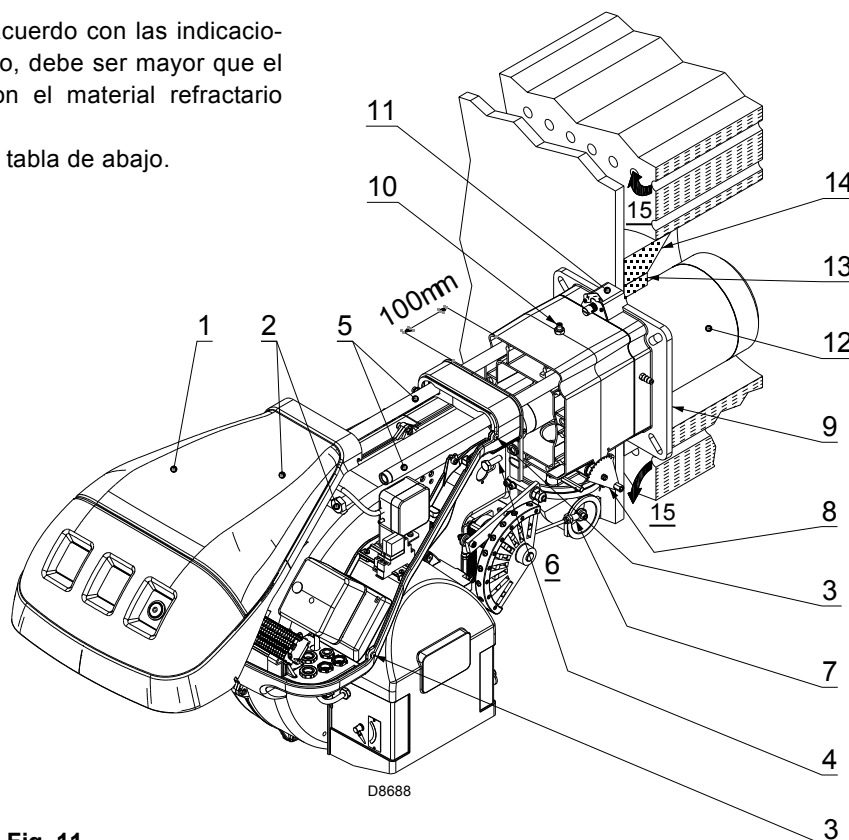


Fig. 11

Fijación del quemador a la caldera

Antes de fijar el quemador a la caldera, controlar desde la apertura del tubo llama, si la sonda y el electrodo están correctamente colocados como en la Fig. 12.

Si en el control anterior, la posición de la sonda o del electrodo no era la correcta, sacar el tornillo 1)(Fig. 13), extraer la parte interior 2)(Fig. 13) del cabezal y proceder a su calibración.

No hacer girar la sonda, sino dejarla como en la Fig. 12; ya que si se sitúa demasiado cerca del electrodo de encendido podría dañar el amplificador de la caja de control.

Luego separar el cabezal de combustión del resto del quemador, Fig. 11.

Para lograr esto proceder de la siguiente manera:

- aflojar los 4 tornillos 3) y sacar la tapa 1);
- desenganchar la articulación 7) del sector graduado 8);
- desenroscar los tornillos 2) de las dos guías 5);
- Desenroscar los dos tornillos 4) y desplazar el quemador por las guías 5) unos 100 mm;
- Desconectar los cables de la sonda y del electrodo y a continuación extraer por completo el quemador de las guías.

Una vez realizada esta eventual operación, fijar la brida 11)(Fig. 11) a la placa de la caldera, intercalando la protección aislante 9)(Fig. 11) suministrada.

Utilizar los 4 tornillos suministrados, con un par de torsión de $35 \div 40$ Nm, después de proteger la rosca con productos antigripado.

La junta quemador-caldera debe ser hermética. después del arranque (véase Cap. 5.3) controlar que no haya escapes de humos hacia el ambiente exterior.

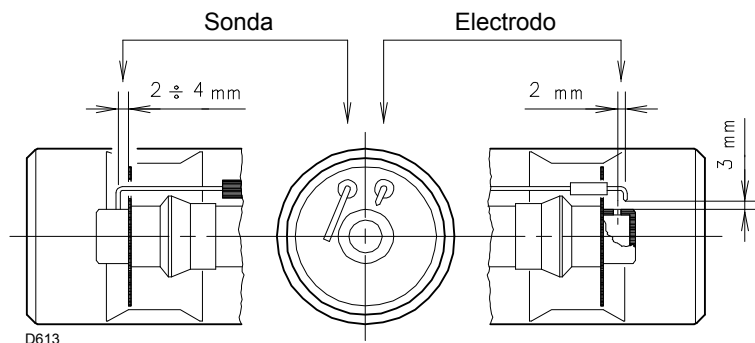


Fig. 12

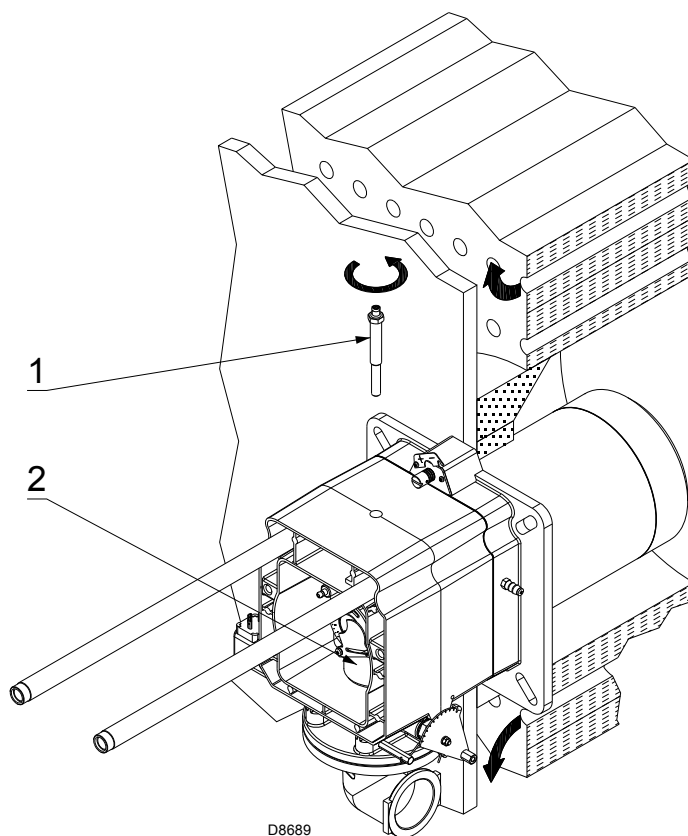


Fig. 13

4.6 Regulación del cabezal de combustión

En este punto de la instalación el cabezal de combustión se fija a la caldera como en la Fig. 13.

Es particularmente fácil su regulación, la cual depende únicamente de la potencia máxima del quemador.


En el cabezal se deben efectuar dos regulaciones:

- regulación del aire;
- regulación del gas.

Buscar en el diagrama de la Fig. 16 la muesca con la cual regular tanto el aire como el gas/aire central.

Regulación aire

Girar el tornillo 2) hasta que coincida la muesca encontrada con el plano delantero 1) de la brida.



Importante
Para facilitar la regulación, aflojar el tornillo 3) (Fig. 14), regular y después bloquear.

Regulación gas

Aflojar los 4 tornillos) y girar la tuerca 5) hasta que coincida la muesca hallada con el índice 3) (Fig. 14).

Bloquear los 3 tornillos 4).

Ejemplo

RS 70/M, potencia = 600 kW.

Del diagrama de la Fig. 16 se desprende que para esta potencia las regulaciones del gas y del aire se deben efectuar en la muesca 4.

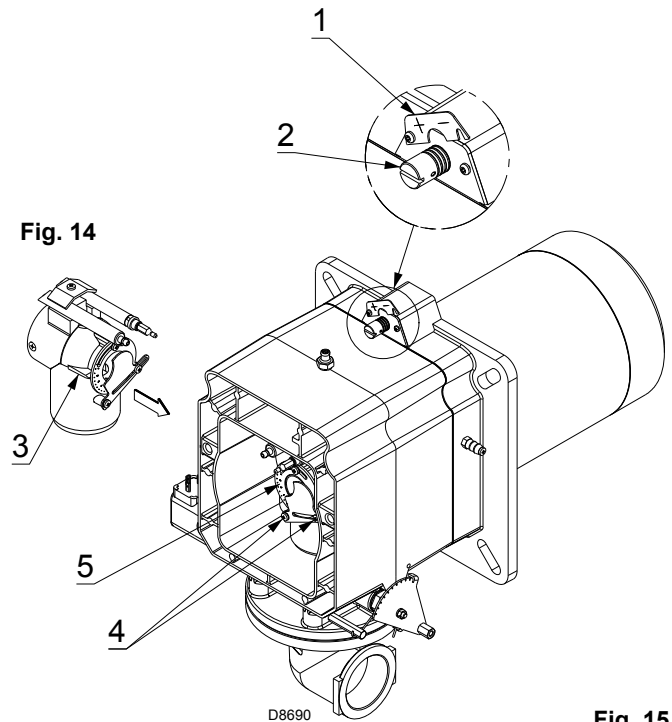


Fig. 15

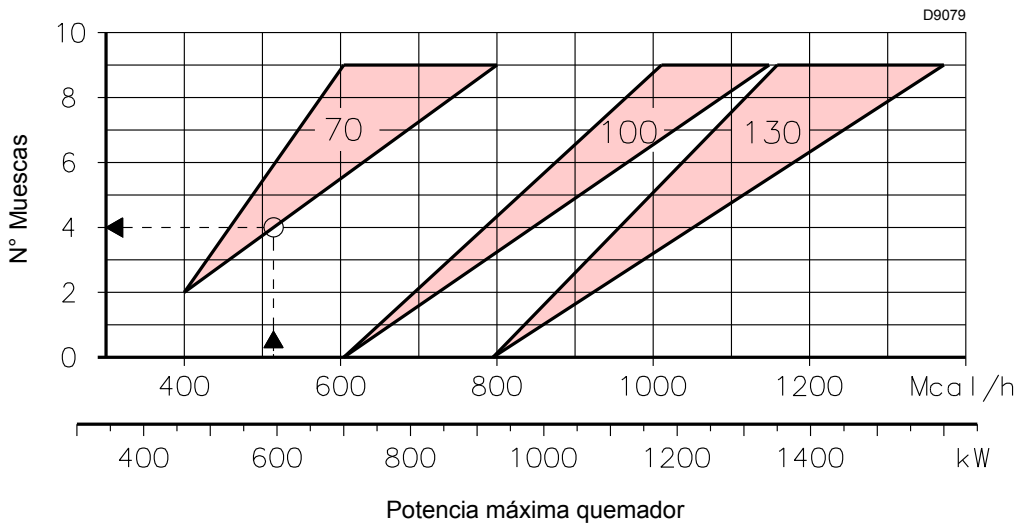


Fig. 16

NOTA

El gráfico muestra una regulación óptima para un tipo de calderas según la Fig. 4. Las regulaciones indicadas se podrán modificar durante la puesta en funcionamiento.

Finalizada la regulación del cabezal de combustión:

- volver a montar el quemador en las guías 3) a unos 100 mm del manguito 4) - quemador en la posición que muestra la Fig. 11;
- conectar el cable de la sonda y el cable del electrodo y luego deslizar el quemador hasta el manguito, quemador en la posición ilustrada en la Fig. 17;
- conectar la toma del presostato gas de máxima;
- volver a colocar los tornillos 2) en las guías 3);

- fijar el quemador al manguito utilizando los tornillos 1).
- volver a enganchar la rótula 7) en el sector graduado 6).

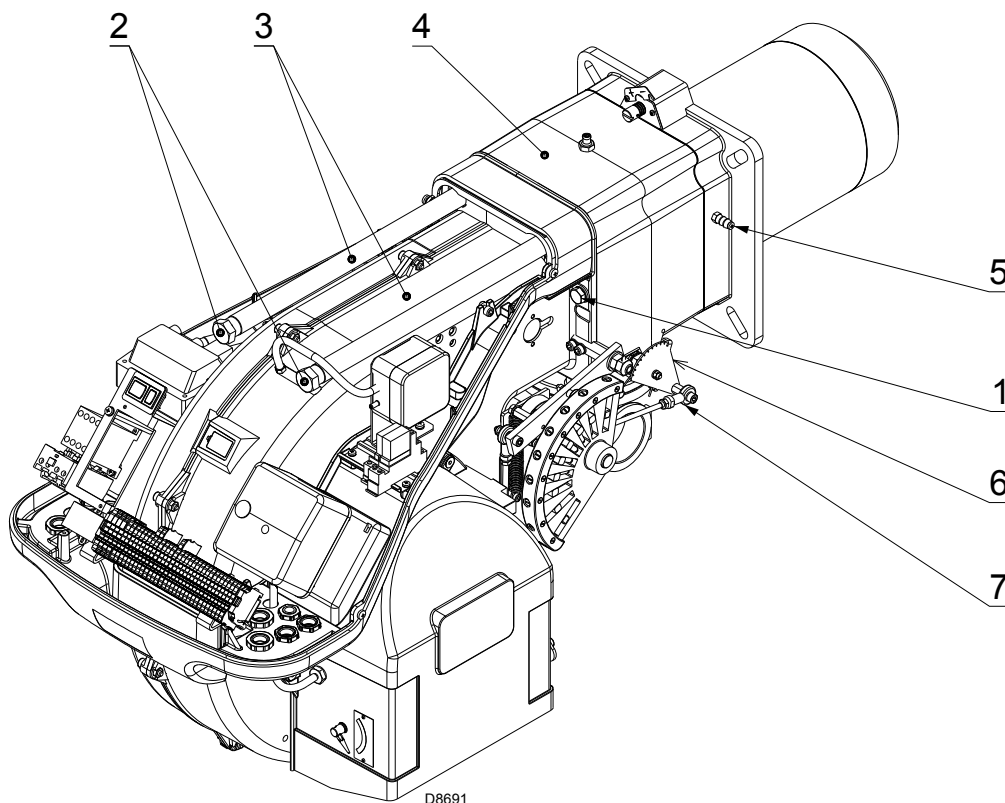
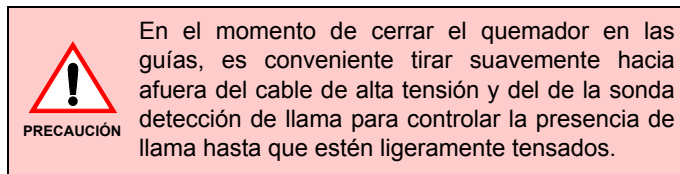


Fig. 17

4.7 Montaje de la rampa de gas

- La rampa de gas está homologada según la norma EN 676 y se suministra por separado del quemador.
- La rampa puede llegar por la derecha o por la izquierda, según convenga. Ver Fig. 18.
- La rampa de gas va acoplada a la conexión de gas 1)(Fig. 18), mediante la brida 2), la junta 3) y los tornillos 4), que se suministran con el quemador.
- Las electroválvulas del gas deben estar lo más cerca posible del quemador, para asegurar la llegada del gas al cabezal de combustión en el tiempo de seguridad de 3 s.
- Asegurarse de que la presión máxima que necesita el quemador esté comprendida dentro del campo de calibración del regulador de presión.

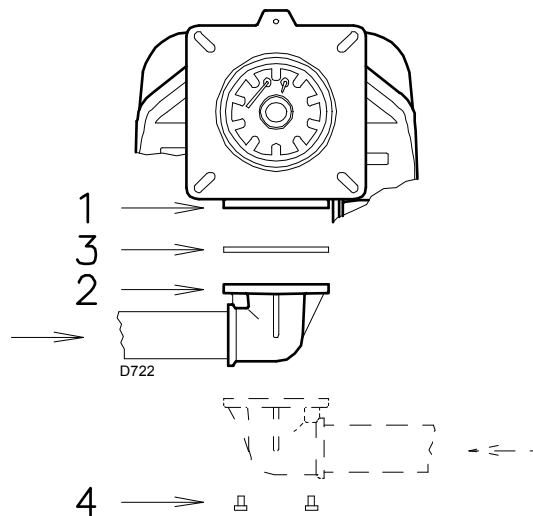


Fig. 18



Para la regulación de la rampa de gas, véase las instrucciones que acompañan a la misma.

ATENCIÓN

4.8 Línea alimentación de gas



Riesgo de explosión a causa de derrame de combustible en presencia de fuentes inflamables.

Precauciones: evitar golpes, roces, chispas, calor.

Verificar el cierre del grifo de interceptación del combustible, antes de efectuar cualquier tipo de intervención en el quemador.



La instalación de la línea de alimentación del combustible debe ser efectuada por personal habilitado, de acuerdo con las normas y las disposiciones de ley vigentes.

Leyenda (Fig. 19)

- 1 Conducto entrada gas
- 2 Válvula manual
- 3 Junta antivibratoria
- 4 Manómetro con válvula de pulsador
- 5 Filtro
- 6A Comprende:
 - filtro
 - válvula de funcionamiento
 - válvula de seguridad
 - regulador de presión
- 6C Comprende:
 - válvula de seguridad
 - válvula de funcionamiento
- 6D Comprende:
 - válvula de seguridad
 - válvula de funcionamiento
- 7 Presostato gas de mínima
- 8 Control de estanqueidad, suministrado como accesorio o integrado, según el código de rampa de gas. Según la norma EN 676 el control de estanqueidad es obligatorio para quemadores con potencia máxima superior a 1200 kW.
- 9 Junta, sólo para versiones "embridadas"
- 10 Regulador de presión
- 11 Adaptador rampa-quemador, suministrado por separado
- P2 Presión antes de las válvulas/regulador
- P3 Presión antes del filtro
- L Rampa de gas, suministrada por separado
- L1 A cargo del instalador

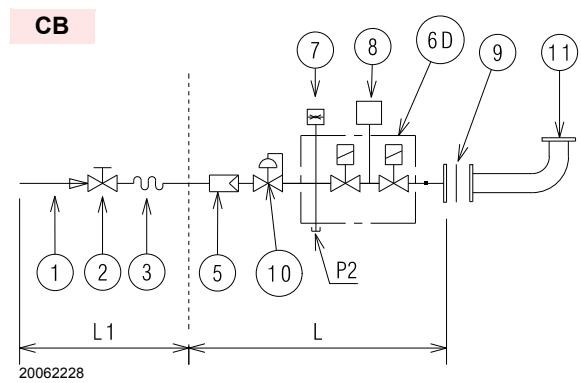
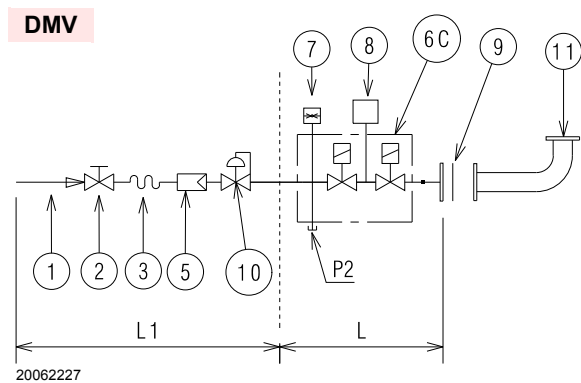
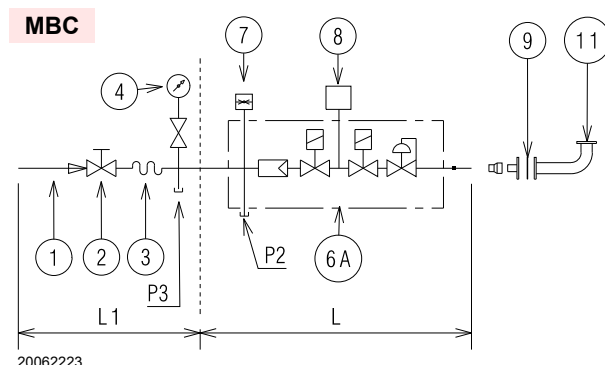
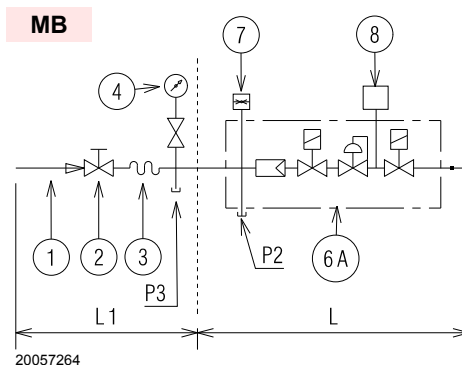


Fig. 19

4.9 Conexiones eléctricas

Notas sobre la seguridad para las conexiones eléctricas

- Las conexiones eléctricas se deben realizar sin alimentación eléctrica.
- Las conexiones eléctricas deben ser realizadas por personal calificado y según las normas vigentes en el país de destino. Tomar como referencia los esquemas eléctricos que figuran en el Apéndice A.
- **RIELLO** declina toda responsabilidad por modificaciones o conexiones diferentes a las que figuran en los esquemas eléctricos.
- Controlar que la alimentación eléctrica del quemador corresponda a la que figura en la placa de identificación y en el presente manual. Véase Fig. 8.
- No invertir el neutro con la fase en la línea de alimentación eléctrica. La inversión provocaría una parada en bloqueo por falta de encendido.
- Los quemadores RS 70-100-130/M han sido homologados para funcionar de modo intermitente. Esto significa que deben pararse "por Norma" al menos una vez cada 24 horas para permitir que la caja de control efectúe un control de su eficacia en el arranque. Normalmente la parada del quemador está asegurada por el termostato/presostato de la caldera.
Si no fuese así, debería colocarse en serie con el interruptor IN, un interruptor horario que parase el quemador al menos una vez cada 24 horas. Tomar como referencia los esquemas eléctricos que figuran en el Apéndice A.
- La seguridad eléctrica de aparato se alcanza solamente cuando el mismo está conectado correctamente a una instalación de puesta a tierra eficaz, realizada como está previsto por las normas vigentes. Es necesario controlar este requisito de seguridad fundamental. En caso de dudas, el personal habilitado deberá realizar un cuidadoso control de la instalación eléctrica. No utilizar tubos de gas como instalación de puesta a tierra de aparatos eléctricos.
- La instalación eléctrica debe ser apta para la potencia máxima absorbida del aparato, indicada en la placa y en el manual, asegurando en especial que la sección de los cables tenga la capacidad para la potencia absorbida del aparato.
- Para la alimentación general del aparato de la red eléctrica:
 - no usar adaptadores, tomas múltiples, alargadores;
 - prever un interruptor omnipolar con apertura entre los contactos de al menos 3 mm, como lo prevén las normativas de seguridad vigentes.
- No tocar el aparato con partes del cuerpo mojadas o húmedas y/o descalzo.
- No tirar de los cables eléctricos.



Si todavía está colocada, retirar la tapa y realizar las conexiones eléctricas según los esquemas del Apéndice A.

Utilizar cables flexibles según norma EN 60 335-1.

Todos los cables que se conecten al quemador deben pasar por los pasacables.

Véase Fig. 20.

El uso de los pasacables se puede realizar de formas diferentes; a modo de ejemplo, indicamos la forma siguiente:

- 1 - Alimentación trifásica
- 2 - Alimentación monofásica
- 3 - Válvulas de gas
- 4 - Presostato gas o dispositivo para el control de estanqueidad de las válvulas
- 5 - Permisos / seguridades
- 6 - A disposición

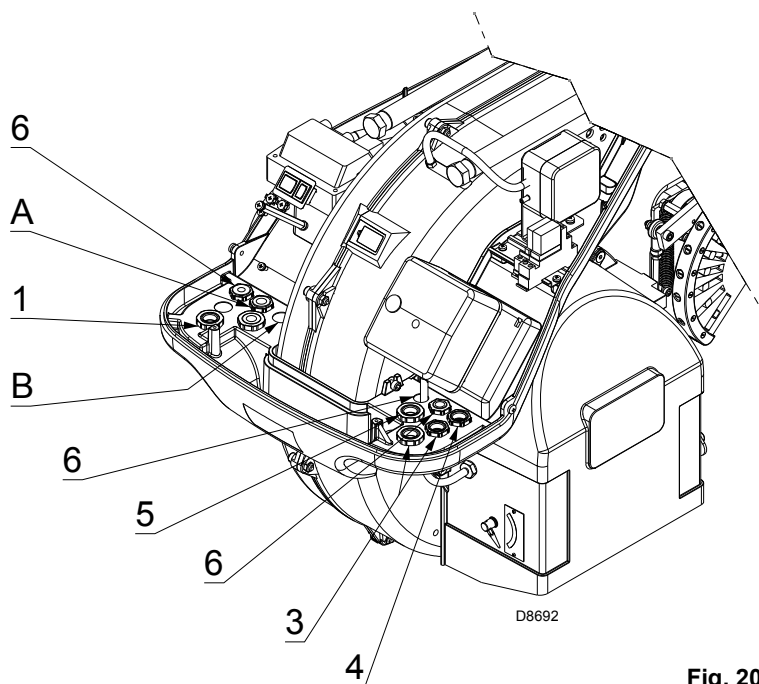


Fig. 20

4.10 Calibración del relé térmico

El relé térmico sirve para evitar daños en el motor por un fuerte aumento del consumo o debido a la ausencia de una fase.

Para la calibración, remitirse a la tabla reproducida en el esquema eléctrico n° 5 del Apéndice A.

Si el valor mínimo de la escala del relé térmico es superior al consumo en la placa del motor, la protección está igualmente asegurada.

Esto se verifica cuando la alimentación del motor es de 400V / 460V.

Para desbloquear, en caso de intervenir el relé térmico, presionar el pulsador 1) de la Fig. 21.

Tensión 3 ~ 400 / 230V - 50Hz

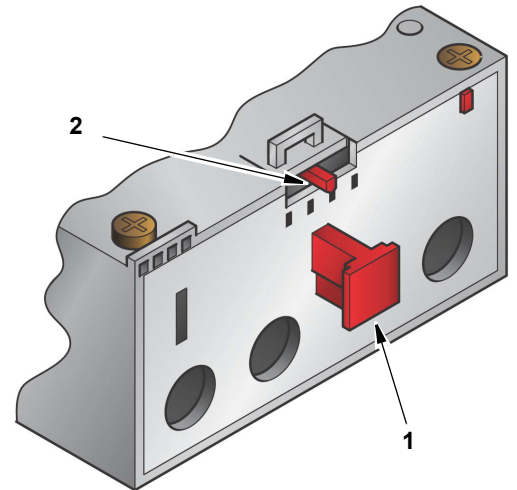
Los modelos RS 70-100-130/M salen de fábrica previstos para una alimentación eléctrica a **400 V**.

Si la alimentación es a **230 V**, cambiar las conexiones del motor (de estrella a triángulo) y la calibración del relé térmico.

Tensión 3 ~ 460 / 230V - 60Hz

Los modelos RS 70-100-130/M salen de fábrica previstos para una alimentación eléctrica a **380-460V**.

Si la alimentación es a **208-230V**, cambiar las conexiones del motor (de estrella a triángulo) y la calibración del relé térmico.



D8267

Fig. 21

5.1 Notas sobre la seguridad para la primera puesta en funcionamiento



La primera puesta en funcionamiento del quemador debe ser realizada por personal habilitado según todo lo indicado en el presente manual y en conformidad con las normas y disposiciones de ley vigentes.



Comprobar el correcto funcionamiento de los dispositivos de regulación, mando y seguridad.

5.2 Operaciones antes de la puesta en funcionamiento

- Asegurarse de que la empresa proveedora de gas haya realizado las operaciones de purgado de la línea de alimentación, eliminando el aire o los gases inertes presentes en las tuberías.
- Abrir lentamente las válvulas manuales antepuestas a la rampa del gas.
- Regular el presostato gas de mínima (Fig. 22) en el inicio de la escala.
- Regular el presostato gas de máxima (Fig. 23) al final de la escala.
- Regular el presostato aire (Fig. 24) en el inicio de la escala.

Presostato gas de mínima

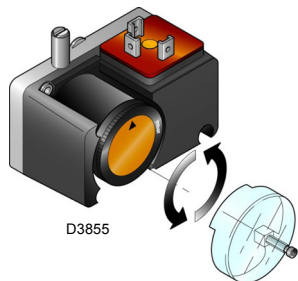


Fig. 22

Presostato gas de máxima

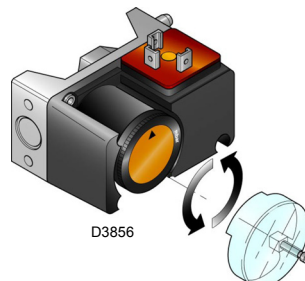


Fig. 23

Presostato aire



Fig. 24

- Controlar la presión de la alimentación de gas conectando un manómetro en la toma de presión 1)(Fig. 25) del presostato gas de mínima: debe ser inferior a la presión máxima permitida de la rampa de gas, que figura en la placa de características.



Una excesiva presión del gas puede dañar los componentes de la rampa de gas y causar peligro de explosión.

- Purgar el aire de la tubería de la rampa de gas conectando un tubo de plástico en la toma de presión 1)(Fig. 25) del presostato gas de mínima. Llevar hacia el exterior del edificio el tubo del purgado, hasta que se huela el gas.
- Conectar en paralelo con las dos electroválvulas de gas a dos lámparas o un tester para controlar el momento de la llegada de tensión. Esta operación no es necesaria si cada una de las electroválvulas va equipada de una luz piloto que señale la presencia de tensión eléctrica.



Antes de poner en marcha el quemador, es conveniente regular la rampa de gas de forma que el encendido se produzca en condiciones de máxima seguridad, es decir, con un pequeño caudal de gas.

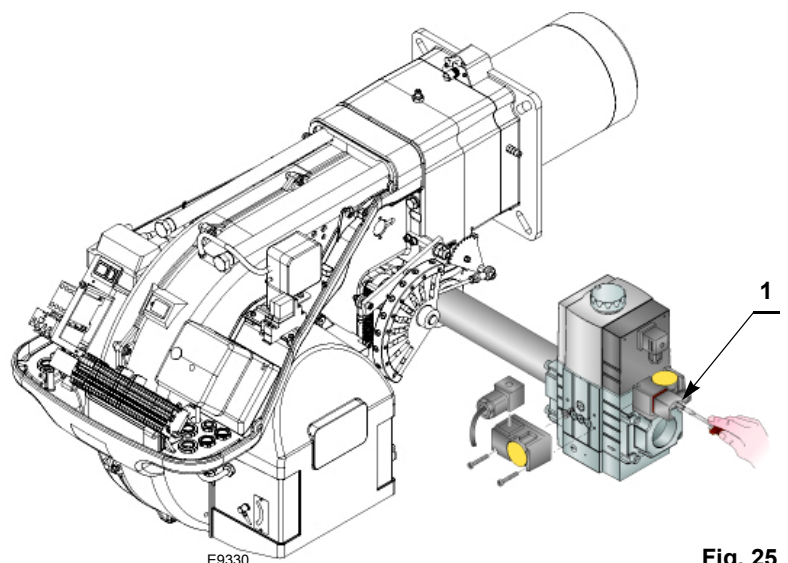


Fig. 25

5.3 Arranque del quemador

Alimentar con electricidad el quemador a través del seccionador del cuadro de la caldera.

Cerrar los termostatos/presostatos y poner el interruptor de la Fig. 27 en la posición "MAN".



Verificar que las lámparas o el tester conectados a las electroválvulas, o las luces piloto de las propias electroválvulas, indiquen ausencia de tensión. Si señalan que hay tensión, parar **inmediatamente** el quemador y comprobar las conexiones eléctricas.

Tan pronto se arranca el quemador, controlar el sentido de giro de la turbina del ventilador desde el visor llama.

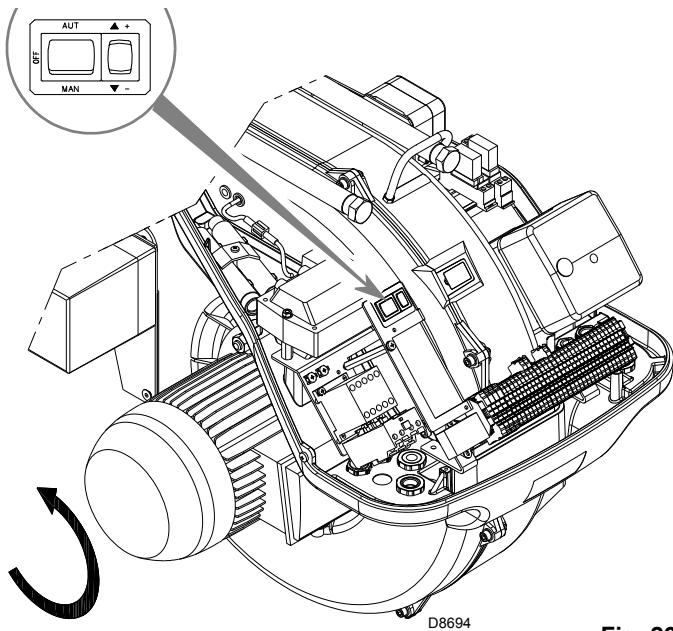


Fig. 26

5.4 Encendido del quemador

Después de haber efectuado las operaciones descritas en el apartado anterior, el quemador debe de encenderse. Si el motor arranca pero no aparece llama y la caja de control se bloquea, rearmarla y efectuar un nuevo intento de arranque. Si continúa sin encenderse, puede deberse a que el gas no llega al cabezal de combustión en el tiempo de seguridad de 3 s. En tal caso, aumentar el caudal de gas en el encendido. La llegada de gas al manguito puede observarse en el manómetro. Una vez efectuado el encendido, se procederá a la regulación completa del quemador.

5.5 Regulación del quemador

Para lograr una regulación óptima del quemador, es necesario efectuar un análisis de los gases de combustión en la base de la chimenea.

Hay que regular en secuencia:

- Potencia de encendido
- Potencia máxima
- Potencia mínima
- Potencias intermedias entre las dos
- Presostato aire
- Presostato gas de máxima
- Presostato gas de mínima

Potencia de encendido

Según norma EN 676.

Quemadores con potencia MÁX hasta 120 kW

El encendido puede efectuarse a la potencia máxima de funcionamiento. Ejemplo:

- potencia máx. de funcionamiento: 120 kW
- potencia máx. de encendido: 120 kW

Quemadores con potencia MÁX superior a 120 kW

El encendido debe efectuarse a una potencia reducida respecto a la potencia máxima de funcionamiento.

Si la potencia de encendido no supera los 120 kW, no es necesario hacer ningún cálculo. En cambio, si la potencia supera los 120 kW, la norma establece que su valor sea definido en función del tiempo de seguridad "ts" de la caja de control:

para "ts" = 3s la potencia de encendido debe ser igual o inferior a 1/3 de la potencia máxima de funcionamiento.

Ejemplo

Potencia MÁX de funcionamiento 450 kW.

La potencia de encendido debe ser igual o inferior a 150 kW con ts = 3s

Para medir la potencia de encendido:

- desconectar el conector macho-hembra 6)(Fig. 5) del cable de la sonda de ionización (el quemador se enciende y se bloquea pasado el tiempo de seguridad);
- efectuar 10 encendidos con bloqueos consecutivos;
- leer en el contador la cantidad de gas consumido: esta cantidad debe ser igual o inferior a la que nos da la fórmula, para ts = 3s:

$$V_g = \frac{Q_a \text{ (caudal máx. quemador) } \times n \times t_s}{3600}$$

V_g: volumen erogado en los encendidos realizados (Sm³)

Q_a: caudal de encendido (Sm³/h)

n: número de encendidos (10)

t_s: tiempo de seguridad (seg.)

Ejemplo para gas G 20 (9,45 kWh/Sm³):

potencia de encendido 150 kW

correspondientes a 15,87 Sm³/h.

Después de 10 encendidos con bloqueo, el caudal de gas medido en el contador debe ser igual o inferior a:

$$V_g = \frac{15,87 \times 10 \times 3}{3600} = 0,132 \text{ Sm}^3$$

Potencia máxima

La potencia MÁX se elige dentro del campo de trabajo que se indica en la pág. 7. En la descripción anterior, hemos dejado el quemador encendido, funcionando a la potencia MÍN.

Apretar ahora el pulsador 2)(Fig. 27) "aumento de potencia" y mantenerlo apretado hasta que el servomotor haya abierto el registro del aire y la válvula de mariposa del gas.

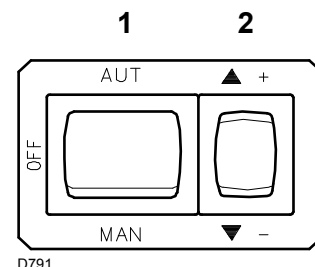


Fig. 27

Regulación del gas

Medir el caudal de gas en el contador.

A modo de orientación, puede obtenerse de la tabla de la pág. 38; es suficiente leer la presión del gas en el manómetro, ver Fig. 30 en la pág. 21, y seguir las indicaciones dadas en la pág. 38.

- Si es necesario reducirlo, disminuir la presión del gas a la salida y, si ya está al mínimo, cerrar un poco la electroválvula de regulación VR.
- Si es necesario aumentarla, incrementar la presión de gas a la salida del regulador.

Regulación del aire

Variar progresivamente el perfil final de la leva 4)(Fig. 28) mediante los tornillos 7).

- Para aumentar el caudal de aire, enroscar los tornillos.
- Para disminuir el caudal de aire, desenroscar los tornillos.

Potencia mínima

La potencia MÍN se elige dentro del campo de trabajo que se indica en la pág. 7.

Presionar el botón 2)(Fig. 27) “disminución de potencia” y mantenerlo apretado hasta que el servomotor haya cerrado el registro del aire y la válvula de mariposa del gas hasta 65° (ajuste de fábrica).

Regulación del gas

Medir el caudal de gas en el contador.

- Si es necesario disminuirlo, reducir un poco el ángulo de la leva III (Fig. 29) mediante cortos desplazamientos consecutivos, es decir, pasando del ángulo 65° a 63° - 61°....
- Si se desea aumentarlo, pulsar un poco el pulsador “aumento de potencia” 2)(Fig. 27) (abrir de 10-15° la válvula de mariposa del gas), aumentar el ángulo de la leva III (Fig. 29) mediante cortos desplazamientos consecutivos, es decir, pasando del ángulo de 65° a 67° - 69°....

Apretar después el botón “disminución de potencia” hasta situar el servomotor en la posición de mínima apertura y medir el caudal del gas.

NOTA

El servomotor sigue la regulación de la leva III sólo cuando se reduce el ángulo de la misma. Si es necesario aumentar el ángulo de la leva, primero se debe aumentar el ángulo del servomotor mediante la tecla “aumento de potencia”, luego aumentar el ángulo de la leva III y por último llevar el servomotor a la posición de potencia MÍN con la tecla “disminución de potencia”. Para la eventual regulación de la leva III, en particular para pequeños desplazamientos, es posible utilizar la llave 10).

Regulación del aire

Variar en progresión el perfil inicial de la leva 4) mediante los tornillos 5). Si es posible, no girar el primer tornillo, dado que es el que se utiliza para cerrar el registro del aire completamente.

Potencias intermedias**Regulación del gas**

No es necesaria ninguna regulación.

Regulación del aire

pulsar un poco el botón “aumento de potencia” 2)(Fig. 27) para que el servomotor gire aproximadamente 15°. Regular los tornillos hasta obtener una combustión óptima. Proceder del mismo modo con los demás tornillos. Prestar atención para que la variación del perfil de la leva sea progresiva.

Apagar el quemador mediante del interruptor 1)(Fig. 27), posición OFF, desbloquear la leva 4 del servomotor, presionando y desplazando hacia la derecha el pulsador 3), y comprobar varias veces, haciendo girar con la mano la leva 4) hacia adelante y hacia atrás, que el movimiento sea suave y sin atascos.

Fijar nuevamente la leva 4) al servomotor desplazando hacia la izquierda el pulsador 2).

En lo posible prestar atención para no desplazar los tornillos de los extremos de la leva, regulados anteriormente para la abertura del registro del aire a la potencia MÁX y MÍN.

Terminada la regulación, fijar la misma mediante los tornillos 6)(A).

NOTA

Una vez terminada la regulación de las potencias “MÁX - MÍN - INTERMEDIAS”, volver a controlar el encendido: debe producirse un ruido parecido al de funcionamiento sucesivo. Si se observan pulsaciones, reducir el caudal de encendido.

- 6 Servomotor
- 7 Servomotor 1) - leva 4): vinculados
- 8 Servomotor 1) - leva 4): desvinculados
- 9 Leva de perfil variable
- 10 Tornillos de regulación del perfil inicial
- 11 Tornillos de fijación regulación
- 12 Tornillos de regulación del perfil final
- 13 Sector graduado válvula de mariposa gas
- 14 Índice del sector graduado 8
- 15 Llave para la regulación de la leva III

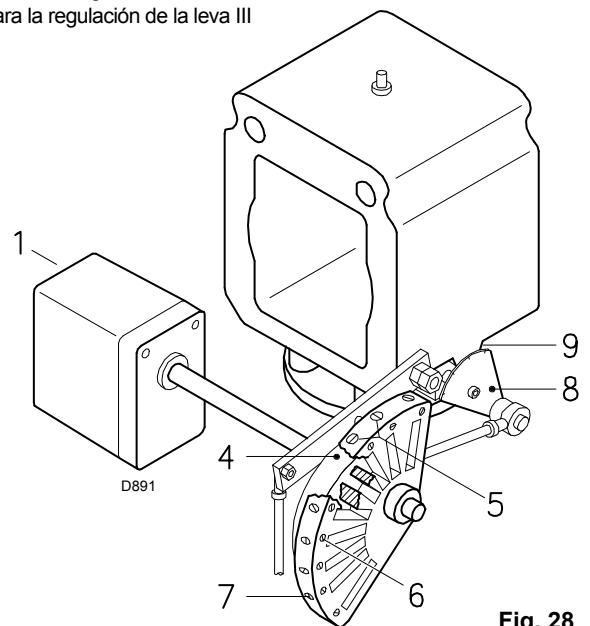


Fig. 28

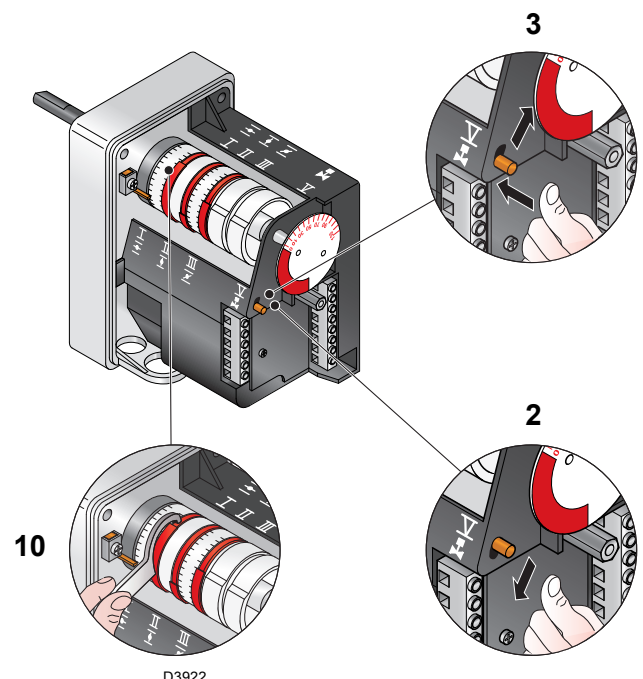


Fig. 29

Presostato aire

Regular el presostato aire, después de haber efectuado todas las demás regulaciones del quemador, con el presostato aire ajustado al inicio de la escala (Fig. 30).

Con el quemador funcionando a la potencia MÍN, introduzca en la chimenea un analizador de la combustión, cierre lentamente la boca de aspiración del ventilador (por ejemplo con un cartón) hasta que el valor de CO no supere los 100 ppm.

Después gire lentamente la maneta en el sentido de las agujas de reloj hasta que el quemador se bloquee.

A continuación, controle que la flecha indique hacia arriba en la escala graduada. Girar nuevamente el botón en el sentido de las agujas del reloj hasta hacer coincidir el valor indicado en la escala graduada con la flecha indicando hacia abajo, se recupera así la histéresis del presostato representada por el campo blanco sobre fondo azul comprendido entre las dos flechas.

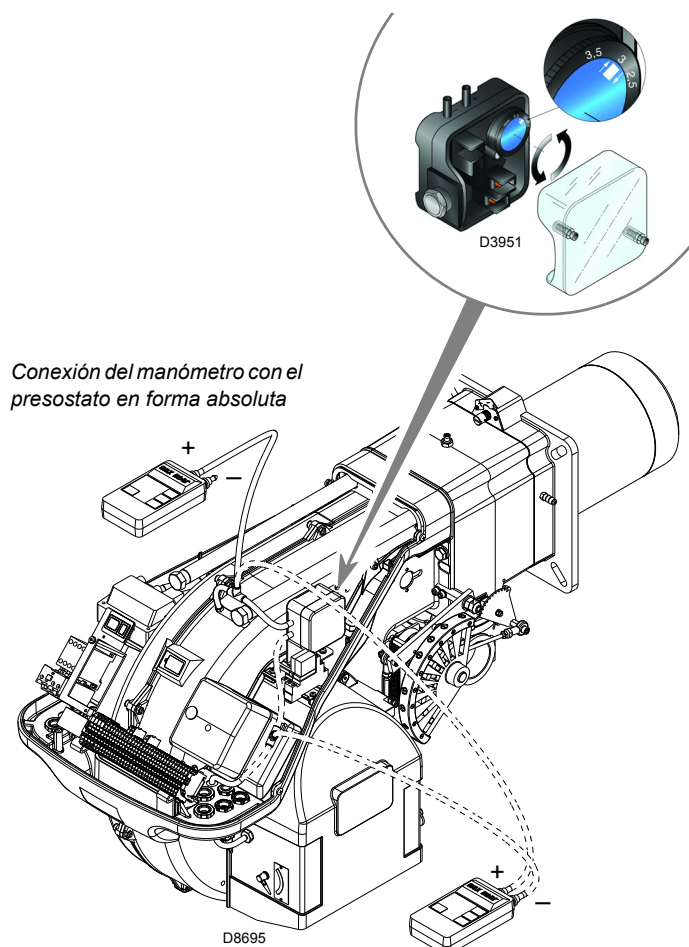
Controle ahora el correcto arranque del quemador.

Si el quemador se bloquea de nuevo, girar el botón un poco más, en sentido contrario a las agujas del reloj.

Durante estas operaciones puede ser útil utilizar un manómetro para medir la presión del aire.

La conexión del manómetro se muestra en la Fig. 30.

La configuración estándar es la del presostato aire conectado en forma absoluta. Nótese la presencia de una conexión en "T" no suministrada. En algunas aplicaciones con fuerte depresión la conexión del presostato no permite al mismo la conmutación. En dicho caso es necesario conectar el presostato en modo diferencial, aplicando un segundo tubo entre el presostato aire y la boca de aspiración del ventilador. En este caso también el manómetro se debe conectar en forma diferencial, como se muestra en la Fig. 30.



Conexión del manómetro con el presostato en forma absoluta

Conexión del manómetro con el presostato en forma diferencial

Fig. 30

Presostato gas de máxima

Realice la regulación del presostato gas de máxima después de haber efectuado todas las demás regulaciones del quemador, con el presostato regulado al final de la escala (Fig. 31).

Con el quemador funcionando a la potencia MÁX, disminuya la presión de regulación girando lentamente (en sentido contrario a las agujas del reloj) el botón que se facilita a tal efecto, hasta que se bloquee el quemador.

A continuación, girar dicho botón (en el sentido de las agujas del reloj) 2 mbar y repetir el arranque del quemador.

Si el quemador se para de nuevo, girar el botón (en el sentido de las agujas del reloj) 1 mbar.

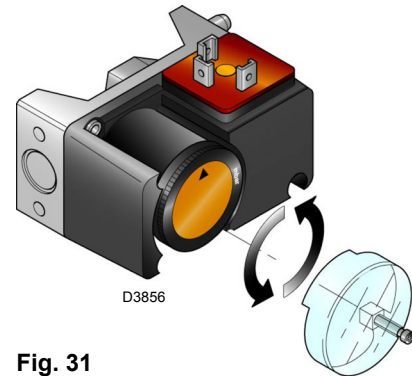


Fig. 31

Presostato gas de mínima

Regular el presostato gas de mínima después de haber efectuado todas las demás regulaciones del quemador con el presostato regulado en el inicio de la escala (Fig. 32).

Con el quemador funcionando a la potencia MÁX, aumentar la presión de regulación girando lentamente en el sentido de las agujas del reloj el botón que se facilita a tal efecto, hasta que se pare el quemador.

A continuación, girar dicho botón (en sentido contrario a las agujas del reloj) 2 mbar y repetir el arranque del quemador para verificar la regularidad de funcionamiento.

Si el quemador se para de nuevo, girar el botón (en sentido contrario a las agujas del reloj) 1 mbar.

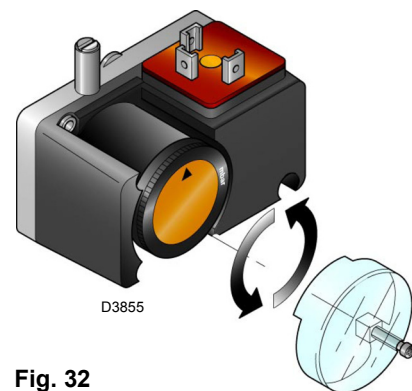


Fig. 32

5.6 Secuencia de funcionamiento del quemador

Arranque del quemador

- 0s: Cierre TL.
- 5s: Arranca el programa de la caja de control eléctrica. El servomotor arranca: gira 130° hacia la derecha, es decir, hasta la intervención del contacto en la leva (Fig. 7).
- 35s: El registro de aire llega a la posición de potencia MÁX. Arranque motor ventilador. Comienza la fase de pre-ventilación.
- 75s: El servomotor gira hacia la izquierda hasta el ángulo configurado en la leva III (Fig. 7) para la MÍN potencia.
- 95s: El registro de aire y la mariposa del gas se sitúan en la potencia MÍN (con leva III, Fig. 7 a 65°).
- 105s: Se genera chispa en el electrodo de encendido. Se abren las electroválvulas de seguridad VS y de regulación VR, apertura rápida. Se enciende la llama, con poca potencia, punto A. Sigue un progresivo aumento de la potencia, apertura lenta de la electroválvula VR, hasta la potencia MÍN, punto B.
- 108s: Cesa la chispa.
- 115s: Termina el ciclo de arranque.

ENCENDIDO NORMAL

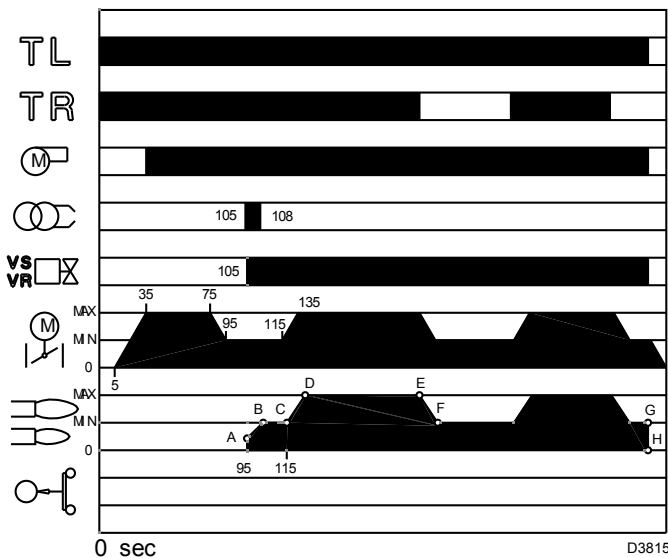


Fig. 33

Funcionamiento a régimen

Quemador sin el kit para funcionamiento modulante

Una vez terminado el ciclo de arranque, el mando del servomotor pasa al TR que controla la presión o la temperatura en la caldera, punto C.

(De todas formas, la caja de control eléctrica sigue controlando la presencia de la llama y la correcta posición de los presostatos de aire y gas de máxima).

- Si la temperatura o la presión es baja y en consecuencia el TR está cerrado, el quemador aumenta progresivamente la potencia hasta el valor MÁX (segmento C-D).
- Si luego la temperatura o la presión aumenta hasta la apertura del termostato TR, el quemador reduce progresivamente la potencia hasta el valor MÍN (segmento E-F). Y así sucesivamente.

- La parada del quemador se produce cuando la solicitud de calor es inferior a la generada por el quemador a la potencia MÍN segmento G-H. El TL se abre, el servomotor vuelve al ángulo 0°. El registro se cierra completamente para reducir las pérdidas de calor al mínimo.

Quemador con el kit para funcionamiento modulante

Ver el manual de Instrucciones que acompaña al regulador.

Falta de encendido

Si el quemador no se enciende bloquea en 3 s la alimentación eléctrica de la válvula gas.

Puede ser que el gas no llegue al cabezal de combustión dentro del tiempo de seguridad de 3 s.

En tal caso, aumentar el caudal de gas en el encendido.

La llegada del gas al manguito se evidencia en el manómetro de la Fig. 36.

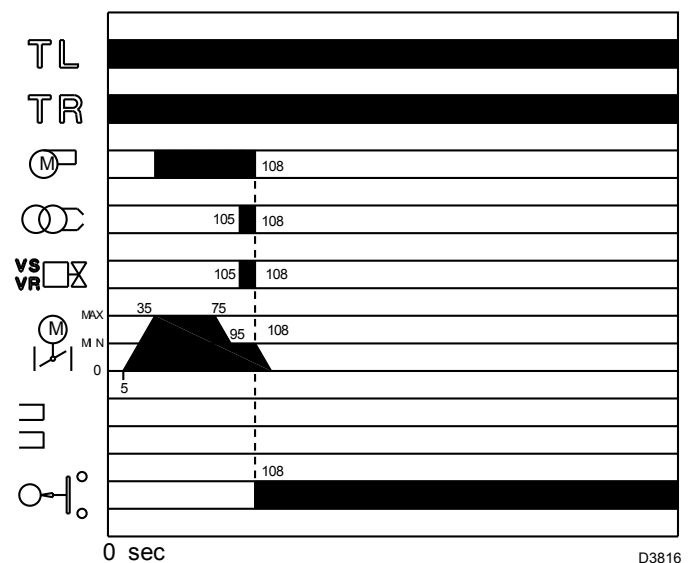


Fig. 34

5.7 Apagado del quemador en funcionamiento

Si la llama se apaga durante el funcionamiento, el quemador se bloquea en 1 segundo.

5.8 Parada del quemador

La parada del quemador puede realizarse:

- interviniendo con el seccionador de la línea de alimentación eléctrica situado en el cuadro de la caldera;
- retirando la tapa y accionando el interruptor "AUT/MAN" de Fig. 27.



ATENCIÓN

En caso de parada del quemador, para evitar daños en la instalación, no desbloquear el quemador más de dos veces seguidas. Si el quemador se bloquea por tercera vez, contactar con el servicio de asistencia. Si se produjeran otros bloqueos o anomalías en el quemador, las intervenciones deben ser realizadas únicamente por personal habilitado y autorizado, de acuerdo a lo indicado en este manual y en conformidad con las normas y disposiciones de ley vigentes.

5.9 Medición de la corriente de ionización

El quemador está dotado de un sistema de ionización para controlar la presencia de la llama. La corriente mínima para el funcionamiento de la caja de control es de 6 μ A.

El quemador genera una corriente netamente superior, no precisando normalmente ningún control.

Si, de todas formas, se quisiera medir la corriente de ionización hay que desconectar la clavija-toma (2)(Fig. 35) colocada en el cable de la sonda de ionización e introducir un microamperímetro (1)(Fig. 35) para corriente continua de 100 μ A final de la escala.

¡Atención a la polaridad!

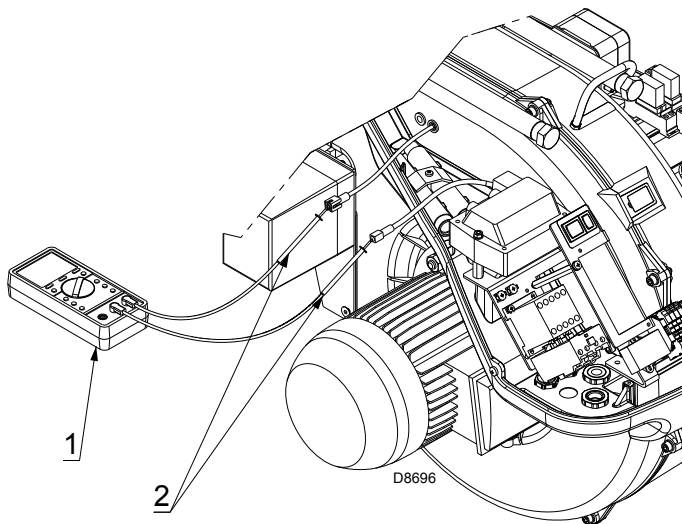


Fig. 35

5.10 Control de la presión del aire y del gas en el cabezal de combustión

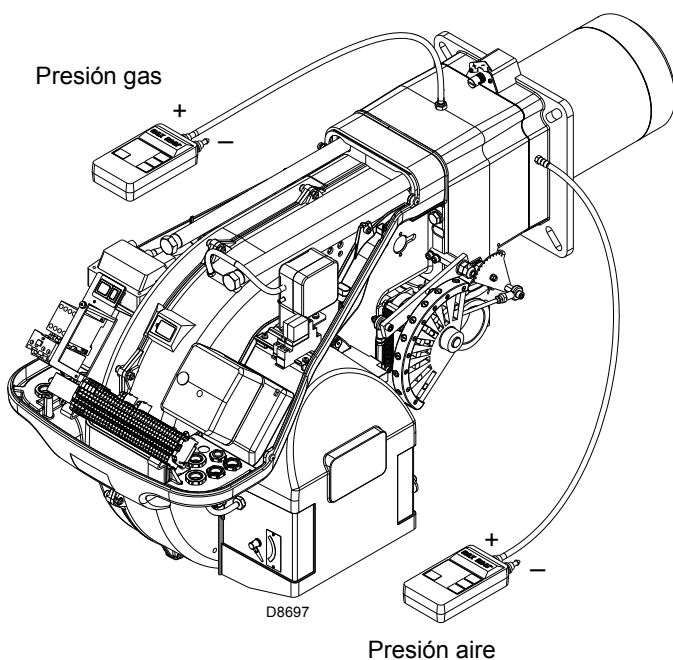


Fig. 36

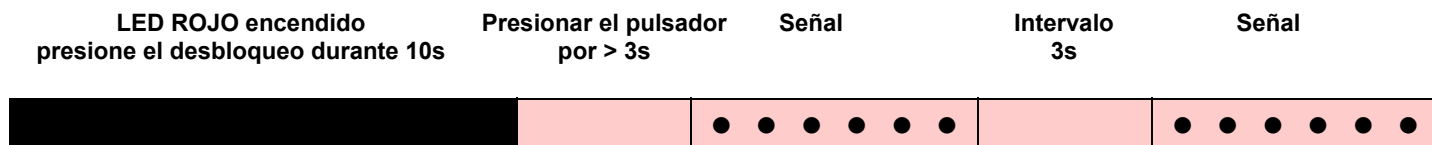
5.11 Controles finales (con el quemador funcionando)

- Abrir el termostato/presostato TL:
- Abrir el termostato/presostato TS:
el quemador debe pararse
- Girar el botón del presostato gas de máxima hasta la posición de final de escala mínimo.
- Girar el botón del presostato aire hasta la posición de final de escala máximo.
el quemador debe bloquearse
- Apagar el quemador y cortar la tensión.
- Desconectar el conector del presostato gas de mínima.
el quemador no debe arrancar
- Desconectar el cable de la sonda de ionización.
el quemador debe bloquearse por falta de encendido
- Comprobar que los bloqueos mecánicos de los dispositivos de regulación estén bien apretados.

La caja de control tiene su propia función diagnóstica mediante la cual es posible detectar fácilmente las posibles causas de mal funcionamiento (señalización: **LED ROJO**).

Para utilizar tal función, hay que esperar al menos 10 segundos desde el instante de bloqueo de la caja de control y presionar el pulsador de desbloqueo durante un tiempo mínimo de 3 segundos.

Después de haber soltado el botón, el LED ROJO comenzará a parpadear, como ilustra la siguiente imagen.



Los impulsos del LED aparecen con intervalos de aproximadamente 3 segundos.

La cantidad de impulsos dará la información sobre las posibles averías según la siguiente tabla.

| SEÑAL | ANOMALÍA | CAUSA PROBABLE | SOLUCIÓN |
|-------------------------------------|--|---|--|
| 2 parpadeos ● ● | Superado el pre-ventilación y el tiempo de seguridad, el quemador se bloquea sin aparecer la llama | 1 - La electroválvula de funcionamiento deja pasar poco gas 2 - Una de las dos electroválvulas no se abre 3 - Presión gas demasiado baja 4 - Electrodo de encendido mal regulado 5 - Electrodo a masa para aislante roto 6 - Cable de alta tensión defectuoso 7 - Cable de alta tensión deformado por la alta temperatura 8 - Transformador de encendido defectuoso 9 - Conexión eléctrico válvulas o transformador de encendido incorrecto 10 - Caja de control defectuosa 11 - Una válvula antes de la rampa de gas, cerrada 12 - Aire en las tuberías 13 - Válvulas de gas no conectadas o con bobina interrumpida | Aumentarlo Sustituirlas Aumentarla en el regulador Regularlo, véase Fig. 12 Sustituirlo Sustituirlo Sustituirlo y protegerlo Sustituirlo Rehacer las conexiones Sustituirla Abrirla Purgarlo Verificar el conexionado o sustituir bobina |
| 3 parpadeos ● ● ● | El quemador no arranca y aparece el bloqueo | 14 - Presostato aire en posición de funcionamiento | Regularlo o sustituirlo |
| | El quemador arranca y luego se bloquea | El presostato aire no conmuta por presión aire insuficiente: 15 - Presostato aire mal regulado 16 - Tubo toma presión del presostato obstruido 17 - Cabezal mal regulado 18 - Alta presión en cámara combustión | Regularlo o sustituirlo Limpiarlo Regularlo Conectar presostato aire a la aspir. ventil |
| | Bloqueo durante la pre-ventilación | 19 - Contactor mando motor defectuoso (sólo versión trifásica) 20 - Motor eléctrico defectuoso 21 - Bloqueo motor (sólo versión trifásica) | Sustituirlo Sustituirlo Sustituirlo |
| 4 parpadeos ● ● ● ● | El quemador arranca y luego se bloquea | 22 - Simulación de llama | Sustituir la caja de control |
| | Bloqueo al pararse el quemador | 23 - Permanencia de la llama en el cabezal de combustión o simulación de llama | Eliminar permanencia de llama o sustituir la caja de control |
| 6 parpadeos ● ● ● ● ● ● | El quemador arranca y luego se bloquea | 24 - Servomotor defectuoso o mal regulado | Sustituirlo o regularlo |
| 7 parpadeos ● ● ● ● ● ● ● | El quemador se bloquea al aparecer la llama | 25 - La electroválvula de funcionamiento deja pasar poco gas 26 - Sonda de ionización mal regulada 27 - Ionización insuficiente (inferior a 5 µA) 28 - Sonda a masa 29 - Insuficiente puesta a tierra del quemador 30 - Fase y neutro invertidos 31 - Avería del circuito de detección llama | Aumentarlo Regularla, véase Fig. 12 Controlar posición sonda Separarla o sustituir cable Revisar la puesta a tierra Invertir Sustituir caja de control |
| | Bloqueo del quemador en el paso entre potencia mínima y máxima y viceversa | 32 - Demasiado aire o poco gas | Regular el aire y el gas |
| | En funcionamiento, el quemador se bloquea | 33 - Sonda o cable ionización a masa | Sustituir la(s) pieza(s) deteriorada(s) |
| 10 parpadeos ● ● ● ● ● ● ● ● ● ● | El quemador no arranca y aparece el bloqueo | 34 - Conexiones eléctricas incorrectas | Comprobarlas |

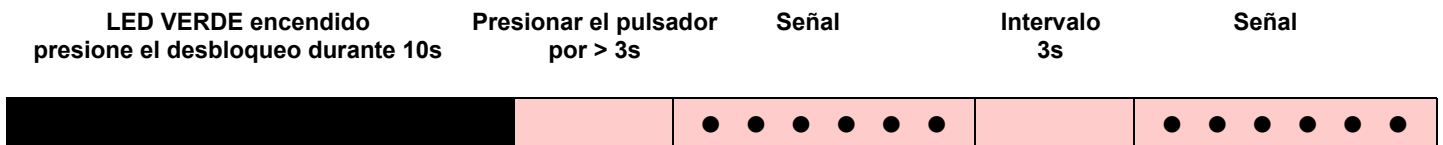
| SEÑAL | ANOMALÍA | CAUSA PROBABLE | SOLUCIÓN |
|-----------------|--|--|--|
| | El quemador se bloquea | 35 - Caja de control defectuosa 36 - Presencia de perturbaciones electromagnéticas . . . 37 - Presencia de perturbaciones electromagnéticas . . . | Sustituirla Filtrarlas o eliminarlas Utilizar el kit protección contra las interferencias radio |
| Ningún parpadeo | El quemador no arranca | 38 - Falta tensión eléctrica 39 - Un telemando de límite o de seguridad abierto 40 - Fusible de línea fundido 41 - Caja de control defectuosa 42 - Falta de gas 43 - Presión gas en red insuficiente 44 - El presostato gas de mínima no cierra 45 - Servomotor no va a la posición de mín. encendido . . | Cerrar interruptores; comprobar conexiones Regularlo o sustituirlo Sustituirlo Sustituirla Abrir válvulas manuales entre contador y ramba Contacte con la COMPAÑÍA DE GAS Regularlo o sustituirlo Sustituirlo |
| | El quemador repite el ciclo de arranque sin bloquearse | 46 - La presión de gas en la red está cercana al valor . . . La caída de presión repentina que sigue a la apertura de la válvula provoca la apertura temporal del propio presostato, inmediatamente la válvula se cierra y se detiene el quemador. La presión vuelve a aumentar, el presostato se cierra y hace que el ciclo de arranque vuelva a comenzar Y así sucesivamente. | Reducir la presión de intervención del presostato gas de mínima Sustituir el cartucho del filtro gas |
| | Encendidos con pulsaciones | 47 - Cabezal mal regulado 48 - Electrodo de encendido mal regulado 49 - Registro ventilador mal regulado; demasiado aire . . . 50 - Potencia de encendido demasiado elevada | Regularlo; ver Fig. 15 Regularlo, véase Fig. 12 Regularlo Reducirla |
| | El quemador no alcanza la potencia máxima | 51 - Telemando TR no cierra 52 - Caja de control defectuosa 53 - Servomotor defectuoso | Regularlo o sustituirlo Sustituirla Sustituirlo |
| | El quemador se detiene con el registro vent. abierto | 54 - Servomotor defectuoso | Sustituirlo |

6.1 Funcionamiento normal / tiempo de detección llama

La caja de control tiene una función ulterior mediante la que es posible asegurarse del correcto funcionamiento del quemador (señal: **LED VERDE** permanentemente encendido).

Para utilizar tal función, hay que esperar al menos 10 segundos desde el instante de encendido del quemador y presionar el pulsador de la caja de control durante un tiempo mínimo de 3 segundos.

Después de haber soltado el botón, el LED VERDE comenzará a parpadear, como ilustra la siguiente imagen.



Los impulsos del LED aparecen con intervalos de aproximadamente 3 segundos.

El número de impulsos determinará el TIEMPO DE DETECCIÓN de la sonda desde la apertura de las válvulas gas, según la siguiente tabla.

| SEÑAL | TIEMPO DE DETECCIÓN LLAMA |
|----------------------------|---------------------------|
| 1 parpadeo ● | 0,4 s |
| 2 parpadeos ● ● | 0,8 s |
| 6 parpadeos ● ● ● ● ● ● | 2,8 s |

A cada arranque del quemador, se actualiza este dato.

Una vez realizada la lectura, apretando brevemente el pulsador de la caja de control, el quemador repite el ciclo de arranque.

ATENCIÓN

Si resulta un tiempo > 2 s se tiene el encendido retrasado.

Controle la regulación del freno hidráulico en la válvula gas y la regulación registro de aire y cabezal de combustión.

7.1 Notas sobre la seguridad para el mantenimiento

El mantenimiento periódico es fundamental para el buen funcionamiento, la seguridad, el rendimiento y la duración del quemador.

El mismo permite reducir los consumos, las emisiones contaminantes y mantener el producto confiable a través del tiempo.



Las intervenciones de mantenimiento y la calibración del quemador deben ser realizadas por personal habilitado y autorizado según todo lo indicado en el presente manual y en conformidad con las normas y disposiciones de ley vigentes.

Antes de realizar cualquier operación de mantenimiento, limpieza o control:



cortar la alimentación eléctrica del quemador con el interruptor general de la instalación;



cerrar la válvula de interceptación del combustible;

7.2 Programa de mantenimiento

Frecuencia del mantenimiento

La instalación de combustión de gas debe ser controladas **por lo menos una vez al año** por un encargado de la empresa fabricante o por otro técnico especializado.

Control y limpieza

Combustión

Efectuar el análisis de los gases de combustión que salen de la caldera. Las diferencias significativas respecto al último análisis indicarán los puntos donde deberán centrarse las operaciones de mantenimiento.

Fugas de gas

Comprobar que no haya fugas de gas en el conducto contador-quemador.

Filtro de gas

Sustituir el cartucho filtrante cuando esté sucio.

Visor llama

Limpiar el cristal del visor de la llama, (Fig. 37).

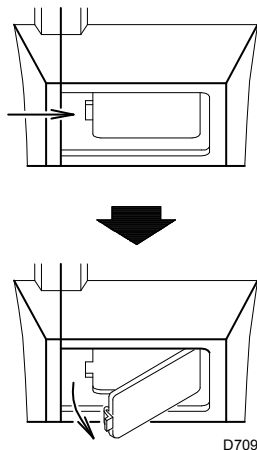


Fig. 37

Cabezal de combustión

Abrir el quemador y verificar que todas las partes del cabezal de combustión estén:

- completas;
- no deformadas por la alta temperatura;
- sin impurezas provenientes del ambiente;
- sin corrosión de los materiales componentes;
- correctamente posicionadas.

Asegurarse de que los orificios de salida del gas para la fase de encendido en el distribuidor del cabezal de combustión, no presenten impurezas o depósitos de herrumbre.

En caso de dudas, desmontar el codo 5)(Fig. 38).

Servomotor

Desbloquear la leva 4)(Fig. 28) del servomotor, presionando y desplazando el pulsador 3)(Fig. 29), hacia la derecha y controlar manualmente que su rotación, hacia adelante y atrás, se efectúe con facilidad. Vincular nuevamente la leva desplazando hacia la izquierda el pulsador 2)(Fig. 28).

Quemador

Verificar que no haya un desgaste anormal o tornillos flojos en los mecanismos que controlan el registro del aire y la válvula de mariposa del gas. Igualmente, los tornillos que fijan los cables eléctricos en la regleta del quemador deben estar bien apretados.

Limpiar exteriormente el quemador, en particular las rótulas y la leva 4)(Fig. 28).

Combustión

Regular el quemador si los valores de la combustión obtenidos al inicio de la intervención no cumplen las normas en vigor o no corresponden a una buena combustión.

Anotar en una ficha de control los nuevos valores de la combustión; serán útiles para controles sucesivos.

7.3 Apertura del quemador

- Cortar la alimentación eléctrica del quemador.
- Aflojar los tornillos 1) y sacar la tapa 2).
- Soltar la rótula 7) del sector graduado 8).
- Montar los dos alargadores en las guías 4).
- Quitar los tornillos 3) y hacer retroceder el quemador unos 100 mm sobre las guías 4). Desconectar los cables de la sonda y del electrodo y desplazar todo el quemador.

En este punto es posible extraer el distribuidor de gas 5), después de haber desenroscado el tornillo 6).

7.4 Cierre del quemador

- Empujar el quemador hasta aproximadamente 100 mm del manguito.
- Volver a conectar los cables y hacer desplazar el quemador hasta el tope.
- Volver a colocar los tornillos 3) y tirar suavemente hacia afuera los cables de sonda y electrodo, hasta tensarlos ligeramente.
- Volver a enganchar la rótula 7) en el sector graduado 8).
- Desmontar los dos alargadores de las guías 4).

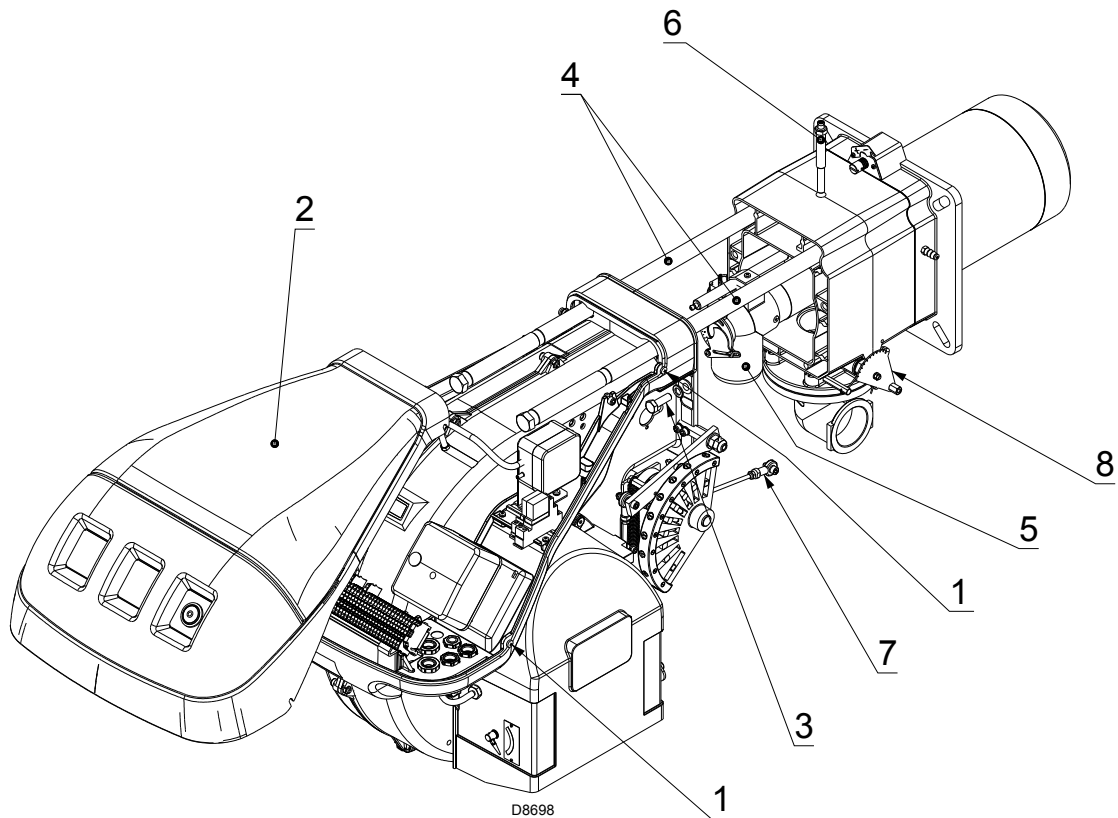
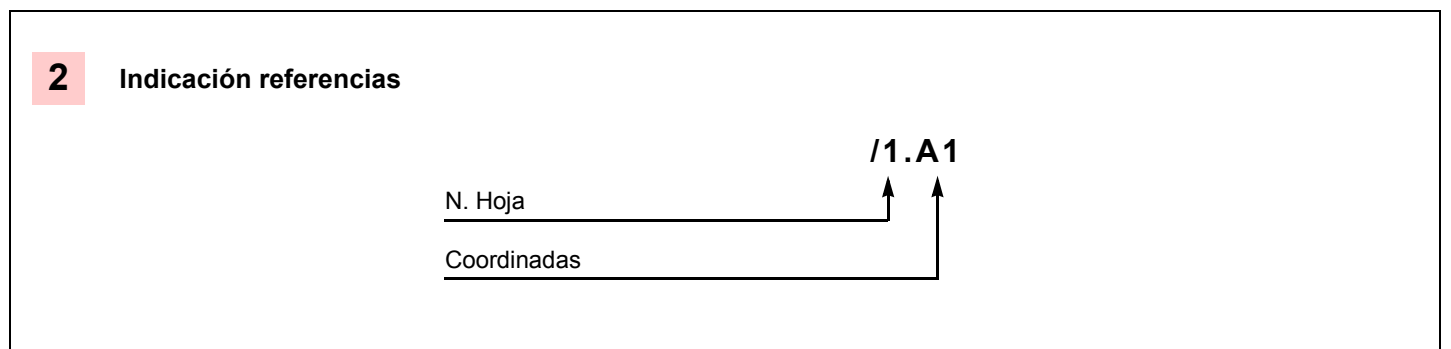


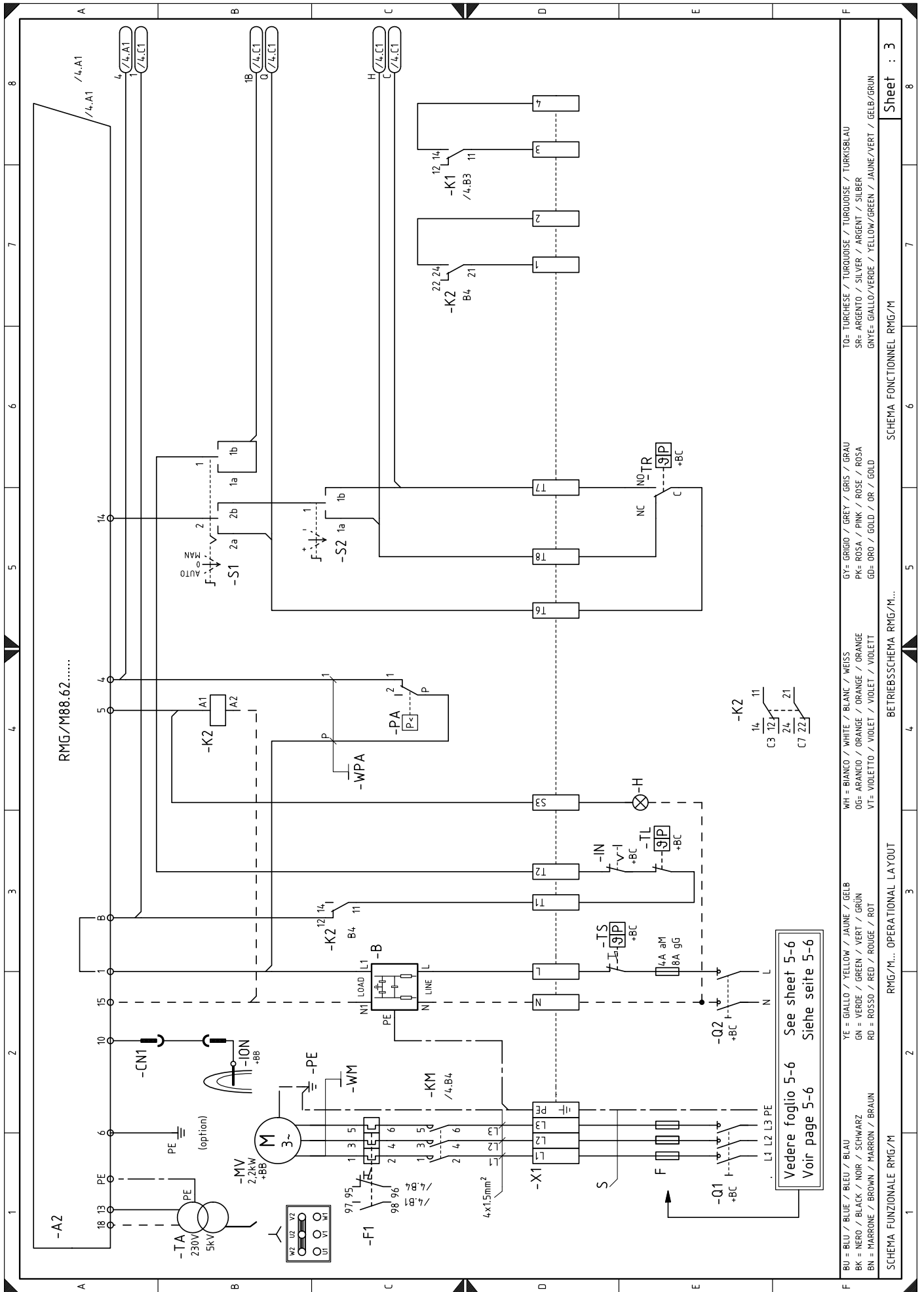
Fig. 38

| | |
|----------|--|
| 1 | Índice esquemas |
| 2 | Indicación referencias |
| 3 | Esquema funcional RMG/M |
| 4 | Esquema funcional RMG/M |
| 5 | Conexiones eléctricas a cargo del instalador (50 Hz) |
| 6 | Conexiones eléctricas a cargo del instalador (60 Hz) |
| 7 | Esquema funcional RWF40... |



Leyenda esquemas eléctricos

| | | | |
|--------------|---|--------------|--|
| A | - Caja de control | K2 | - Relé salida contactos pulidos bloqueo quemador |
| B | - Filtro antiinterferencias | KM | - Contactor motor |
| B1 | - Regulador de potencia RWF40 | MV | - Motor ventilador |
| BA | - Entrada con corriente DC 4...20 mA | PA | - Presostato aire |
| BA1 | - Entrada con corriente DC 4...20 mA para modificación de setpoint remoto | PE | - Tierra quemador |
| BP | - Sonda de presión | PGMin | - Presostato gas de mínima |
| BP1 | - Sonda de presión | PGM | - Presostato gas de máxima |
| BR | - Potenciómetro setpoint remoto | Q1 | - Interruptor seccionador trifásico |
| BT1 | - Sonda termopar | Q2 | - Interruptor seccionador monofásico |
| BT2 | - Sonda Pt100 de 2 hilos | RS | - Pulsador de desbloqueo remoto |
| BT3 | - Sonda Pt100 de 3 hilos | S1 | - Selector apagado / automático / manual |
| BT4 | - Sonda Pt100 de 3 hilos | S2 | - Selector aumento / disminución potencia |
| BTEXT | - Sonda externa para la compensación climática del setpoint | SM | - Servomotor |
| BV | - Entrada con tensión DC 0...10 V | TA | - Transformador de encendido |
| BV1 | - Entrada con tensión DC 0...10 V para modificar setpoint a distancia | TL | - Termostato/presostato de límite |
| CN1 | - Conector para sonda de ionización | TR | - Termostato/presostato de regulación |
| F1 | - Relé térmico motor ventilador | TS | - Termostato/presostato de seguridad |
| H | - Señalización de bloqueo a distancia | X1 | - Regleta de conexión alimentación principal |
| IN | - Interruptor eléctrico de parada manual quemador | XPGM | - Conector presostato gas de máxima |
| ION | - Sonda de ionización | XP1 | - Toma para kit |
| K1 | - Relé salida contactos pulidos quemador encendido | XRWF | - Regleta de conexiones RWF40 |
| | | Y | - Válvula de regulación del gas + válvula de seguridad del gas |
| | | YVPS | - Dispositivo de control de estanqueidad válvulas gas |



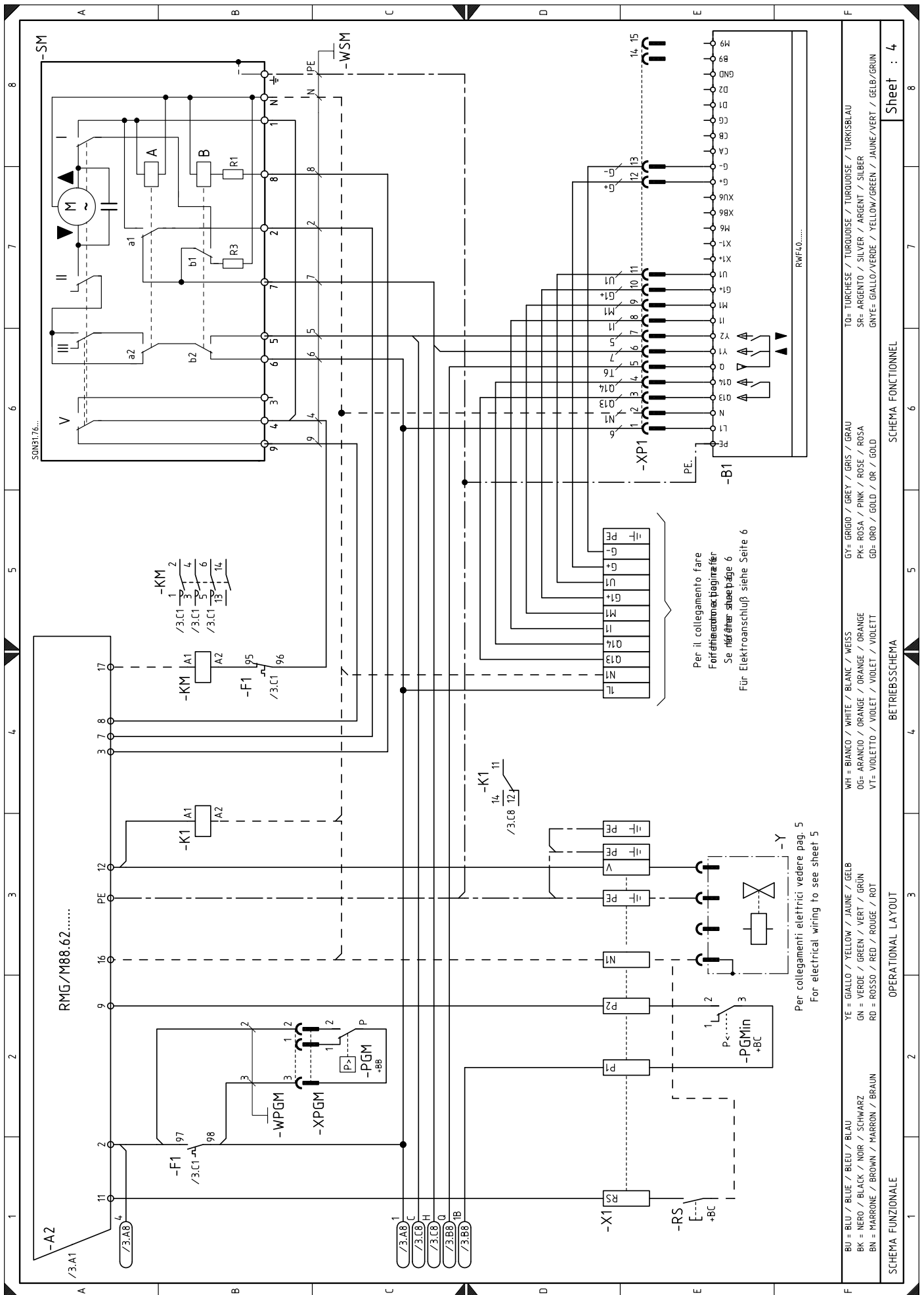
Vedere foglio 5-6
Voir page 5-6
Siehe Seite 5-6

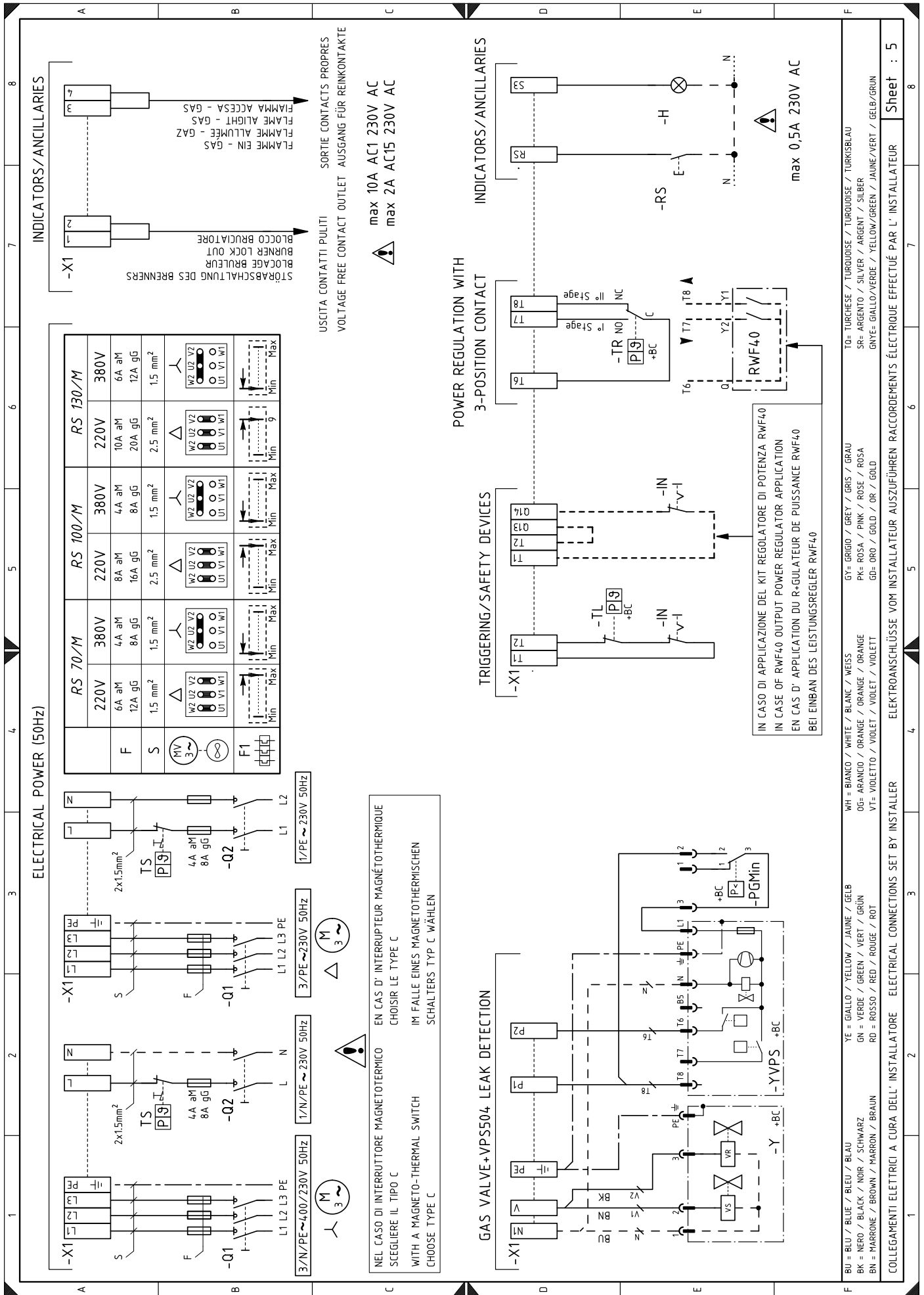
- BU = BLU / BLUE / BLEU / BLAU
- BK = NERO / BLACK / NOIR / SCHWARZ
- BN = MARRONE / BROWN / MARRON / BRAUN
- YE = GIALLO / YELLOW / JAUNE / GELB
- GN = VERDE / GREEN / VERT / GRÜN
- RD = ROSSO / RED / ROUGE / ROT
- WH = BIANCO / WHITE / BLANC / WEISS
- OG = ARANCIO / ORANGE / ORANGE / ORANGE
- VT = VIOLETT / VIOLET / VIOLET / VIOLETT
- GY = GRIGIO / GREY / GRIS / GRAU
- PK = ROSA / PINK / ROSE / ROSA
- GD = ORO / GOLD / OR / GOLD
- TO = TURCHESE / TURQUOISE / TURQUOISE / TURKISBLAU
- SR = ARGENTO / SILVER / ARGENT / SILBER
- GNYE = GIALLO/VERDE / YELLOW/GREEN / JAUNE/VERT / GELB/GRÜN

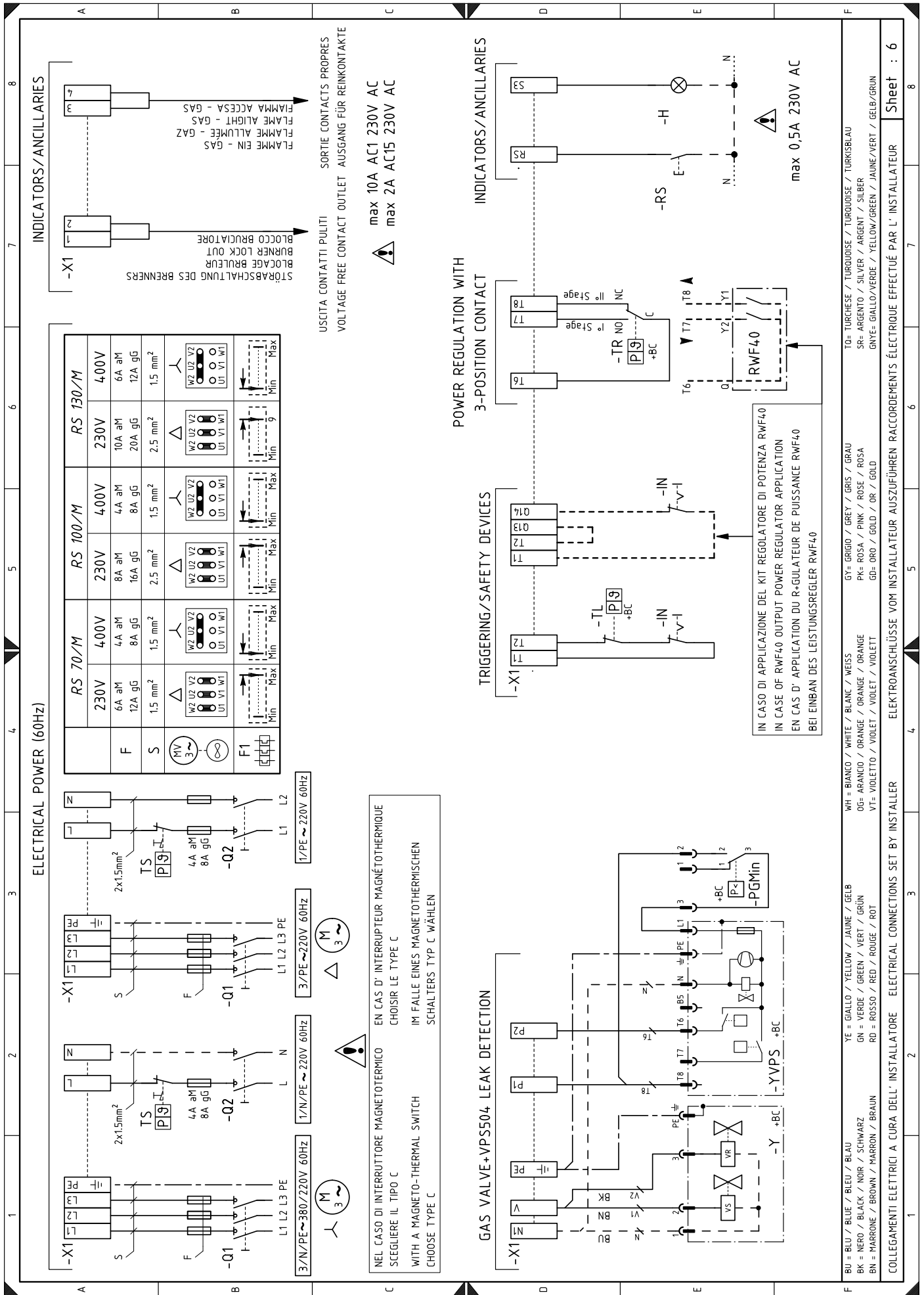
SCHEMA FUNZIONALE RMG/M... OPERATIONAL LAYOUT

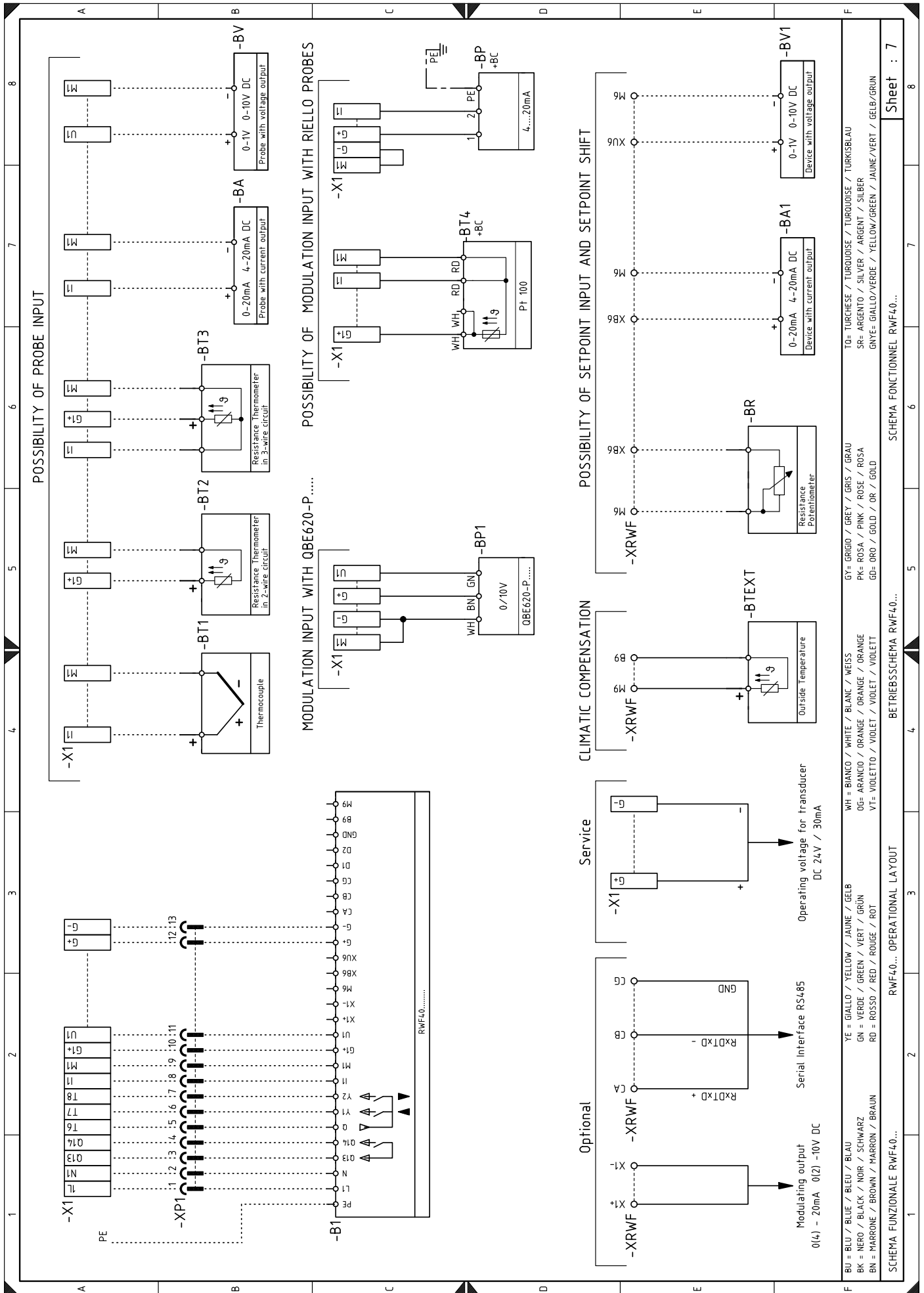
SCHEMA FONCTIONNEL RMG/M...

Sheet : 3









Kit regulador de potencia para funcionamiento modulante

Con el funcionamiento modulante el quemador adecua constantemente la potencia a la solicitud de calor asegurando gran estabilidad del parámetro controlado: temperatura o presión.

Hay que pedir dos componentes:

- el regulador de potencia, que se instala en el quemador;
- la sonda que se instala en el generador de calor.

| Parámetro a controlar | | Sonda | | Regulador de potencia | |
|-----------------------|---------------------------|-------------------------------|--------------------|-----------------------|---------|
| | Campo de regulación | Tipo | Código | Tipo | Código |
| Temperatura | - 100...+ 500°C | PT 100 | 3010110 | RWF40 | 3010414 |
| Presión | 0...2,5 bar 0...16 bar | Sonda con salida 4...20 mA | 3010213 3010214 | | |

Kit regulador de potencia con señal 4-20 mA, 0-10V

Hay que pedir dos componentes:

- el convertidor de señal analógico;
- el potenciómetro.

| Quemador | Potenciómetro | | Convertidor de señal analógico | |
|------------------------|---------------|---------|--------------------------------|---------|
| | Tipo | Código | Tipo | Código |
| RS 70-100/M - RS 130/M | ASZ... | 3010416 | E5202 | 3010415 |

Kit potenciómetro para indicación posición de carga

| Quemador | Código Kit |
|------------------------|------------|
| RS 70-100/M - RS 130/M | 3010416 |

Kit interfaz adaptador RMG a PC

| Quemador | Código Kit |
|------------------------|------------|
| RS 70-100/M - RS 130/M | 3002719 |

Caja insonorizador

| Quemador | Código Kit | Tipo | Reducción media ruido |
|------------------------|------------|------|-----------------------|
| RS 70-100/M - RS 130/M | 3010404 | C4/5 | 10 [dB(A)] |

Kit cabezal largo

| Quemador | Código Kit | Longitud cabezal estándar | Longitud cabezal a obtener con el kit |
|----------|------------|---------------------------|---------------------------------------|
| RS 70/M | 3010117 | 250 mm | 385 mm |
| RS 100/M | 3010118 | 250 mm | 385 mm |
| RS 130/M | 3010119 | 280 mm | 415 mm |

Kit para funcionamiento con GPL

| Quemador | Cabezal de combustión | Código Kit | Potencia que puede obtenerse con el Kit |
|----------|-----------------------|------------|---|
| RS 70/M | TC | 20008175 | 200/470 ÷ 930 kW |
| | TL | 20008176 | |
| RS 100/M | TC | 20008177 | 300/700 ÷ 1340 kW |
| | TL | 20008178 | |
| RS 130/M | TC | 20008179 | 300/920 ÷ 1600 kW |
| | TL | 20008180 | |

Kit para funcionamiento a TOWN GAS - no homologados CE

| Quemador | Cabezal de combustión | Código Kit |
|----------|-----------------------|------------|
| RS 70/M | TC | 3010286 |
| | TL | |
| RS 100/M | TC | 3010287 |
| | TL | |
| RS 130/M | TC | 3010288 |
| | TL | |

Kit distanciador

| Quemador | Código Kit | Espesor |
|------------------------|------------|---------|
| RS 70-100/M - RS 130/M | 3010129 | 135 mm |

Kit ventilación continua

| Quemador | Código Kit |
|------------------------|------------|
| RS 70-100/M - RS 130/M | 3010094 |

Kit reducción vibraciones (para calderas de inversión de llama)

| Quemador | Cabezal de combustión | Código Kit |
|----------|-----------------------|------------|
| RS 70/M | TC | 3010201 |
| | TL | |
| RS 100/M | TC | 3010202 |
| | TL | |
| RS 130/M | TC | 3010373 |
| | TL | 3010374 |

Kit protección contra las interferencias radio

En caso de instalar el quemador en ambientes especiales expuestos a interferencias radio (emisión de señales de más de 10 V/m) debido a la presencia de INVERTER o en aplicaciones donde las conexiones del termostato superan los 20 metros de longitud, se encuentra disponible un kit de protección como interfaz entre la caja de control y el quemador.

| Quemador | Código kit |
|------------------------|------------|
| RS 70-100/M - RS 130/M | 3010386 |

Rampas de gas según norma EN 676

Consultar el manual.

La tabla indica las pérdidas de carga mínimas de la línea de alimentación de gas en función de la potencia máxima del quemador.

Los valores indicados en las tablas se refieren a:

- Gas natural G 20 PCI 9,45 kWh/Sm³ (8,2 Mcal/Sm³)
- Gas natural G 25 PCI 8,13 kWh/Sm³ (7,0 Mcal/Sm³)

Columna 1

Pérdida de carga cabezal de combustión.

Presión de gas medida en la toma 1)(Fig. 39), con:

- Cámara de combustión a 0 mbar;
- Quemador funcionando a potencia máxima;
- Cabezal de combustión regulado como se indica en el gráfico de la Fig. 16.

Columna 2

Pérdida de carga en válvula de mariposa del gas 2)(Fig. 39) con apertura máxima: 90°.

NOTA

Para conocer la potencia aproximada en la que está funcionando al máximo el quemador:

- Restar a la presión del gas en la toma 1)(Fig. 39) la presión de la cámara de combustión.
- Buscar en la tabla correspondiente al quemador en consideración, columna 1, el valor de presión más cercano al valor deseado.
- Leer a la izquierda la potencia correspondiente.

Ejemplo con gas natural G 20 - RS 100/M

- Funcionamiento a la MÁX potencia
- Tuerca del gas 2)(Fig. 15) regulada como se indica en el gráfico (Fig. 16)
- Presión de gas en la toma 1)(Fig. 39) = 8 mbar
- Presión en la cámara de combustión = 2,5 mbar
- 8 - 2,5 = 5,5 mbar

A una presión de 5,5 mbar, columna 1, corresponde en la tabla A una potencia de 900 kW. Este valor sirve como primera aproximación; el real se determinará a través del contador.

NOTA

En cambio, para conocer la presión necesaria de gas en la toma 1)(Fig. 39), una vez fijada la potencia MÁX a la que se desea que funcione el quemador:

- hallar la potencia más cercana al valor deseado, en la tabla relativa al quemador que se considere.
- Leer a la derecha, en la columna 1, la presión en la toma 1)(Fig. 39).
- Sumar a este valor la sobrepresión estimada de la cámara de combustión.

Ejemplo con gas natural G 20 - RS 100/M

- Potencia MÁX deseada: 900 kW
- Tuerca del gas 2)(Fig. 15) regulada como se indica en el gráfico (Fig. 16)
- Presión del gas con una potencia de 900 kW = 5,5 mbar
- Presión en la cámara de combustión = 2,5 mbar
- 5,5 + 2,5 = 8 mbar

presión necesaria en la toma 1)(Fig. 39).

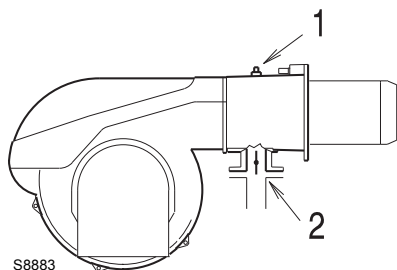


Fig. 39

| Mod. | kW | 1 Δp (mbar) | | 2 Δp (mbar) | |
|---------|------|----------------|------|----------------|------|
| | | G 20 | G 25 | G 20 | G 25 |
| RS 70/M | 470 | 4,2 | 5,7 | 0,4 | 0,5 |
| | 500 | 4,6 | 6,3 | 0,5 | 0,5 |
| | 550 | 5,3 | 7,2 | 0,6 | 0,7 |
| | 600 | 6,0 | 8,2 | 0,7 | 0,8 |
| | 650 | 6,7 | 9,1 | 0,8 | 0,9 |
| | 700 | 7,4 | 10,1 | 0,9 | 1,1 |
| | 750 | 8,5 | 11,8 | 1,0 | 1,2 |
| | 800 | 9,6 | 13,4 | 1,2 | 1,4 |
| | 850 | 10,8 | 15,1 | 1,3 | 1,6 |
| | 900 | 12,1 | 16,9 | 1,5 | 1,8 |
| 930 | 12,9 | 17,9 | 1,6 | 1,9 | |

| | | | | | |
|----------|------|------|------|-----|-----|
| RS 100/M | 700 | 3,1 | 4,6 | 0,7 | 1,0 |
| | 750 | 3,7 | 5,5 | 0,8 | 1,1 |
| | 800 | 4,3 | 6,4 | 0,9 | 1,2 |
| | 850 | 4,9 | 7,3 | 1,0 | 1,4 |
| | 900 | 5,5 | 8,2 | 1,1 | 1,6 |
| | 950 | 6,2 | 9,0 | 1,2 | 1,8 |
| | 1000 | 6,8 | 9,9 | 1,3 | 1,9 |
| | 1050 | 7,3 | 10,7 | 1,5 | 2,1 |
| | 1100 | 7,9 | 11,6 | 1,6 | 2,4 |
| | 1150 | 8,4 | 12,4 | 1,8 | 2,6 |
| | 1200 | 9,1 | 13,5 | 1,9 | 2,8 |
| | 1250 | 9,9 | 14,8 | 2,1 | 3,0 |
| | 1300 | 10,8 | 16,1 | 2,3 | 3,3 |
| | 1340 | 11,4 | 17,1 | 2,4 | 3,5 |

| | | | | | |
|----------|------|------|------|-----|-----|
| RS 130/M | 920 | 4,5 | 7,0 | 1,3 | 2,0 |
| | 950 | 4,7 | 7,4 | 1,4 | 2,1 |
| | 1000 | 5,1 | 7,9 | 1,5 | 2,3 |
| | 1050 | 5,5 | 8,5 | 1,7 | 2,5 |
| | 1100 | 5,9 | 9,1 | 1,8 | 2,8 |
| | 1150 | 6,2 | 9,6 | 2,0 | 3,1 |
| | 1200 | 6,6 | 10,2 | 2,2 | 3,3 |
| | 1250 | 7,0 | 10,8 | 2,4 | 3,6 |
| | 1300 | 7,4 | 11,3 | 2,6 | 3,9 |
| | 1350 | 7,8 | 11,9 | 2,8 | 4,2 |
| | 1400 | 8,2 | 12,8 | 3,0 | 4,5 |
| | 1450 | 8,6 | 13,8 | 3,2 | 4,9 |
| | 1500 | 9,0 | 14,7 | 3,4 | 5,2 |
| | 1550 | 10,2 | 15,6 | 3,6 | 5,6 |
| | 1600 | 11,4 | 16,6 | 3,9 | 5,9 |
| | 1605 | 11,5 | 16,7 | 3,9 | 6,0 |

El campo de trabajo del quemador reproducido en el manual es válido para una temperatura ambiente de 20 °C y una altitud de 0 m s.n.m. (presión barométrica de 1.013 mbar aproximadamente).

Puede suceder que el quemador deba funcionar con aire comburente a una temperatura superior y/o altitudes mayores.

El calentamiento del aire y el aumento de la altitud producen el mismo efecto: la expansión del volumen de aire, o sea que su densidad se reduce.

El caudal del ventilador del quemador permanece prácticamente igual pero se reduce el contenido de oxígeno por m³ de aire y el impulso (la altura barométrica) del ventilador.

Es importante entonces saber si la potencia máxima solicitada al quemador con una determinada presión en la cámara de combustión permanece dentro del campo de trabajo del quemador, incluso en caso de cambiar las condiciones de temperatura y altitud.

Para verificarlo se procede del siguiente modo:

- 1 -Buscar el factor de corrección F correspondiente a la temperatura del aire y a la altitud de la instalación en la tabla del lado.
- 2 -Dividir la potencia Q solicitada al quemador por F para obtener la potencia equivalente Qe:

$$Q_e = Q : F \text{ (kW)}$$

- 3 -Marcar en el campo de trabajo del quemador el punto de trabajo, identificado por:

Qe = potencia equivalente

H1 = presión en la cámara de combustión

punto A que debe quedar dentro del campo de trabajo (Fig. 40).

- 4 -Trazar una vertical desde el punto A, Fig. 40, y encontrar la máxima presión H2 del campo de trabajo.

- 5 -Multiplicar H2 por F para obtener la máxima presión disminuida H3 del campo de trabajo

$$H_3 = H_2 \times F \text{ (mbar)}$$

Si H3 es mayor que H1, como en la Fig. 40, el quemador puede erogar el caudal requerido.

Si H3 es menor que H1 será necesario reducir la potencia del quemador. La reducción de la potencia está acompañada por una reducción de la presión en la cámara de combustión:

Qr = potencia reducida

H1r = presión reducida

$$H_{1r} = H_1 \times \left(\frac{Q_r}{Q}\right)^2$$

Ejemplo, reducción de potencia del 5%:

$$Q_r = Q \times 0,95$$

$$H_{1r} = H_1 \times (0,95)^2$$

Con los nuevos valores de Qr y H1r repetir los pasos 2 - 5.

Atención:

el cabezal de combustión se regula según la potencia equivalente Qe.

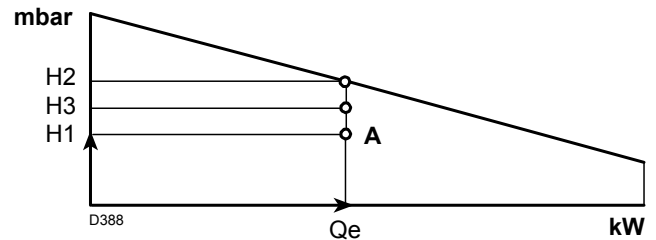


Fig. 40

| Altitud m s.n.m. | Presión barométrica media mbar | F | | | | | | | |
|---------------------|---|-------------------------|-------|-------|-------|-------|-------|-------|-------|
| | | Temperatura del aire °C | | | | | | | |
| | | 0 | 5 | 10 | 15 | 20 | 25 | 30 | 40 |
| 0 | 1013 | 1,087 | 1,068 | 1,049 | 1,031 | 1,013 | 0,996 | 0,980 | 0,948 |
| 100 | 1000 | 1,073 | 1,054 | 1,035 | 1,017 | 1,000 | 0,983 | 0,967 | 0,936 |
| 200 | 989 | 1,061 | 1,042 | 1,024 | 1,006 | 0,989 | 0,972 | 0,956 | 0,926 |
| 300 | 978 | 1,050 | 1,031 | 1,013 | 0,995 | 0,978 | 0,962 | 0,946 | 0,916 |
| 400 | 966 | 1,037 | 1,018 | 1,000 | 0,983 | 0,966 | 0,950 | 0,934 | 0,904 |
| 500 | 955 | 1,025 | 1,007 | 0,989 | 0,972 | 0,955 | 0,939 | 0,923 | 0,894 |
| 600 | 944 | 1,013 | 0,995 | 0,977 | 0,960 | 0,944 | 0,928 | 0,913 | 0,884 |
| 700 | 932 | 1,000 | 0,982 | 0,965 | 0,948 | 0,932 | 0,916 | 0,901 | 0,872 |
| 800 | 921 | 0,988 | 0,971 | 0,954 | 0,937 | 0,921 | 0,906 | 0,891 | 0,862 |
| 900 | 910 | 0,977 | 0,959 | 0,942 | 0,926 | 0,910 | 0,895 | 0,880 | 0,852 |
| 1000 | 898 | 0,964 | 0,946 | 0,930 | 0,914 | 0,898 | 0,883 | 0,868 | 0,841 |
| 1200 | 878 | 0,942 | 0,925 | 0,909 | 0,893 | 0,878 | 0,863 | 0,849 | 0,822 |
| 1400 | 856 | 0,919 | 0,902 | 0,886 | 0,871 | 0,856 | 0,842 | 0,828 | 0,801 |
| 1600 | 836 | 0,897 | 0,881 | 0,866 | 0,851 | 0,836 | 0,822 | 0,808 | 0,783 |
| 1800 | 815 | 0,875 | 0,859 | 0,844 | 0,829 | 0,815 | 0,801 | 0,788 | 0,763 |
| 2000 | 794 | 0,852 | 0,837 | 0,822 | 0,808 | 0,794 | 0,781 | 0,768 | 0,743 |
| 2400 | 755 | 0,810 | 0,796 | 0,782 | 0,768 | 0,755 | 0,742 | 0,730 | 0,707 |
| 2800 | 714 | 0,766 | 0,753 | 0,739 | 0,726 | 0,714 | 0,702 | 0,690 | 0,668 |
| 3200 | 675 | 0,724 | 0,711 | 0,699 | 0,687 | 0,675 | 0,664 | 0,653 | 0,632 |
| 3600 | 635 | 0,682 | 0,669 | 0,657 | 0,646 | 0,635 | 0,624 | 0,614 | 0,594 |
| 4000 | 616 | 0,661 | 0,649 | 0,638 | 0,627 | 0,616 | 0,606 | 0,596 | 0,577 |

RIELLO

RIELLO S.p.A.
I-37045 Legnago (VR)
Tel.: +39.0442.630111
[http:// www.riello.it](http://www.riello.it)
[http:// www.riello.com](http://www.riello.com)