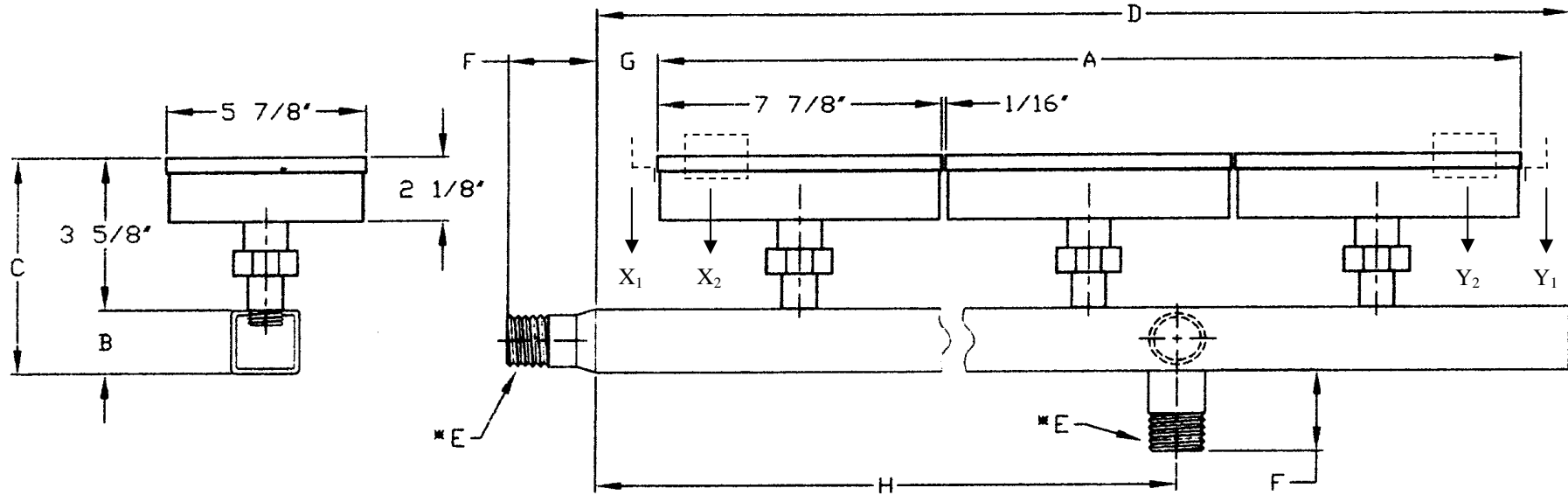


RED-RAY TYPE "AR-86H" WITH STAINLESS STEEL CONNECTORS



BURNER DIMENSIONS IN INCHES

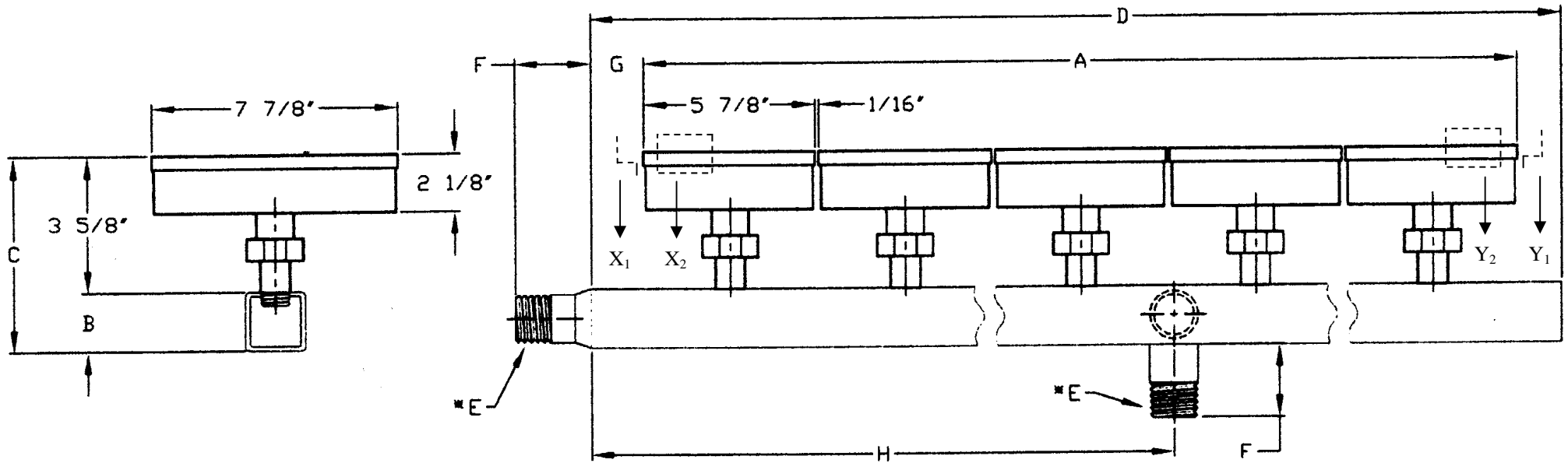
| NUMBER OF SECTIONS | 1 | 2 | 3 | 4 | 5 | 6 | 7 | 8 | 9 | 10 | 11 | 12 | 13 | 14 | 15 | 16 | 17 | 18 |
|---------------------------|------------------|---------------------|-------------------|---------------------|-------------------|--------------------|-------------------|--------------------|-------------------|--------------------|-------------------|--------------------|--------------------|---------------------|-------|----------------------|--------------------|----------------------|
| A | 7 ^{7/8} | 15 ^{13/16} | 23 ^{3/4} | 31 ^{11/16} | 39 ^{5/8} | 47 ^{9/16} | 55 ^{1/2} | 63 ^{7/16} | 71 ^{3/8} | 79 ^{5/16} | 87 ^{1/4} | 95 ^{3/16} | 103 ^{1/8} | 111 ^{1/16} | 119 | 126 ^{15/16} | 134 ^{7/8} | 142 ^{13/16} |
| B₁ | 1 1/2 | 1 1/2 | 1 1/2 | 1 1/2 | 1 1/2 | 1 1/2 | 1 1/2 | 1 1/2 | 2 | 2 | 2 | 2 | 2 | 2 | 2 | 2 1/2 | 2 1/2 | 2 1/2 |
| B₂ | 2 | 2 | 2 | 2 | 2 | 2 | 2 | 2 | 2 1/2 | 2 1/2 | 2 1/2 | 2 1/2 | 2 1/2 | 2 1/2 | 2 1/2 | 3 | 3 | 3 |
| C₁ | 5 1/8 | 5 1/8 | 5 1/8 | 5 1/8 | 5 1/8 | 5 1/8 | 5 1/8 | 5 1/8 | 5 5/8 | 5 5/8 | 5 5/8 | 5 5/8 | 5 5/8 | 5 5/8 | 5 5/8 | 6 1/8 | 6 1/8 | 6 1/8 |
| C₂ | 5 5/8 | 5 5/8 | 5 5/8 | 5 5/8 | 5 5/8 | 5 5/8 | 5 5/8 | 5 5/8 | 6 1/8 | 6 1/8 | 6 1/8 | 6 1/8 | 6 1/8 | 6 1/8 | 6 1/8 | 6 5/8 | 6 5/8 | 6 5/8 |
| D | | | | | | | | | | | | | | | | | | |
| E | 3/4 | 3/4 | 1 | 1 | 1 | 1 | 1 1/4 | 1 1/4 | 1 1/2 | 1 1/2 | 1 1/2 | 1 1/2 | 1 1/2 | 1 1/2 | 1 1/2 | 2 | 2 | 2 |
| F | 4 | 4 | 4 | 4 | 4 | 4 | 4 | 4 | 4 | 4 | 4 | 4 | 4 | 4 | 4 | 4 | 4 | 4 |
| G" | | | | | | | | | | | | | | | | | | |
| H | | | | | | | | | | | | | | | | | | |
| SHIPPING WT. (LBS) | 12 | 26 | 36 | 46 | 57 | 67 | 83 | 94 | 113 | 125 | 137 | 149 | 161 | 173 | 185 | 216 | 229 | 242 |

B₁ AND C₁ ARE DIMENSIONS FOR ROUND PIPE MANIFOLD; B₂ AND C₂ ARE FOR SQUARE TUBE MANIFOLD
 *INLET MAY BE PLACED AT END, BOTTOM, OR SIDE OF SQUARE TUBING MANIFOLD; AT END ONLY OF ROUND PIPE MANIFOLD

: DIMENSIONS OF BURNERS LONGER THAN 143" AVAILABLE UPON REQUEST
 " TO CUSTOMER'S SPECIFICATIONS WHEN MANIFOLD "D" IS LONGER THAN BURNER "A"
 SPECIFY IGNITER LOCATION (X₁ OR X₂) _____; SPECIFY MONITOR LOCATION (Y₁ OR Y₂) _____

Selas Heat Technology Company
 11012 Aurora Hudson Road
 Streetsboro, OH 44241
 Toll Free: 800-883-9218
 Phone: 216-662-8800
 Fax: 216-663-8954

RED-RAY TYPE "AR-86V" WITH STAINLESS STEEL CONNECTORS



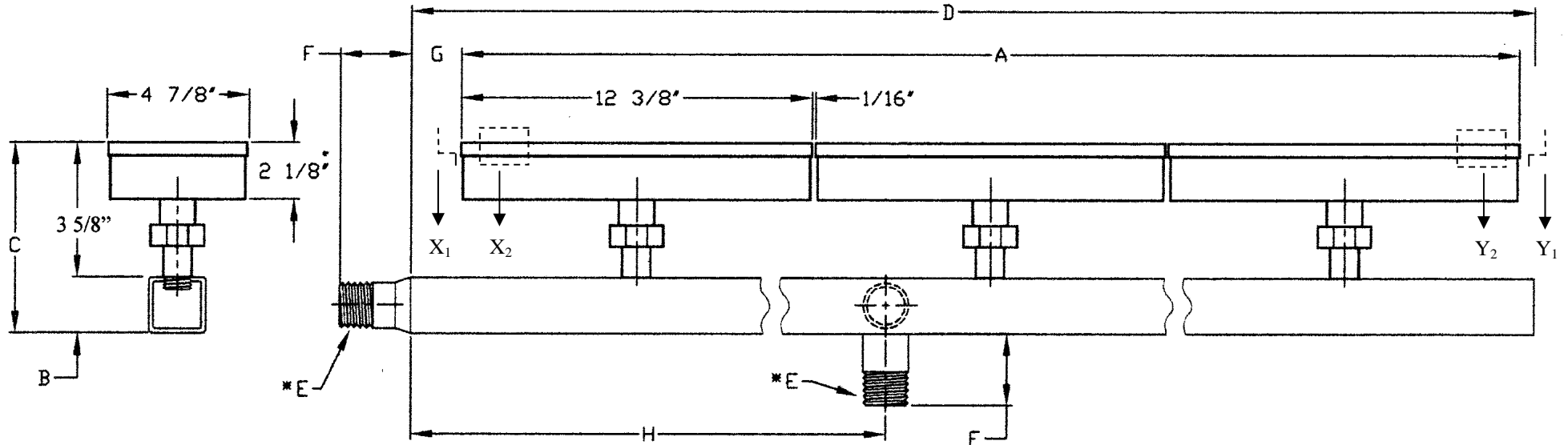
BURNER DIMENSIONS IN INCHES

| NUMBER OF SECTIONS | 1 | 2 | 3 | 4 | 5 | 6 | 7 | 8 | 9 | 10 | 11 | 12 | 13 | 14 | 15 | 16 | 17 | 18 |
|---------------------------|------------------|---------------------|-------------------|---------------------|-------------------|--------------------|-------------------|--------------------|-------------------|--------------------|-------------------|--------------------|-------------------|--------------------|-------|---------------------|--------------------|----------------------|
| A | 5 ^{7/8} | 11 ^{13/16} | 17 ^{3/4} | 23 ^{11/16} | 29 ^{5/8} | 35 ^{9/16} | 41 ^{1/2} | 47 ^{7/16} | 53 ^{3/8} | 59 ^{5/16} | 65 ^{1/4} | 71 ^{3/16} | 77 ^{1/8} | 83 ^{1/16} | 89 | 94 ^{15/16} | 100 ^{7/8} | 106 ^{13/16} |
| B₁ | 1 1/2 | 1 1/2 | 1 1/2 | 1 1/2 | 1 1/2 | 1 1/2 | 1 1/2 | 1 1/2 | 2 | 2 | 2 | 2 | 2 | 2 | 2 | 2 1/2 | 2 1/2 | 2 1/2 |
| B₂ | 2 | 2 | 2 | 2 | 2 | 2 | 2 | 2 | 2 1/2 | 2 1/2 | 2 1/2 | 2 1/2 | 2 1/2 | 2 1/2 | 2 1/2 | 3 | 3 | 3 |
| C₁ | 5 1/8 | 5 1/8 | 5 1/8 | 5 1/8 | 5 1/8 | 5 1/8 | 5 1/8 | 5 1/8 | 5 5/8 | 5 5/8 | 5 5/8 | 5 5/8 | 5 5/8 | 5 5/8 | 5 5/8 | 6 1/8 | 6 1/8 | 6 1/8 |
| C₂ | 5 5/8 | 5 5/8 | 5 5/8 | 5 5/8 | 5 5/8 | 5 5/8 | 5 5/8 | 5 5/8 | 6 1/8 | 6 1/8 | 6 1/8 | 6 1/8 | 6 1/8 | 6 1/8 | 6 1/8 | 6 5/8 | 6 5/8 | 6 5/8 |
| D | | | | | | | | | | | | | | | | | | |
| E | 3/4 | 3/4 | 1 | 1 | 1 | 1 | 1 1/4 | 1 1/4 | 1 1/2 | 1 1/2 | 1 1/2 | 1 1/2 | 1 1/2 | 1 1/2 | 1 1/2 | 2 | 2 | 2 |
| F | 4 | 4 | 4 | 4 | 4 | 4 | 4 | 4 | 4 | 4 | 4 | 4 | 4 | 4 | 4 | 4 | 4 | 4 |
| G" | | | | | | | | | | | | | | | | | | |
| H | | | | | | | | | | | | | | | | | | |
| SHIPPING WT. (LBS) | 12 | 24 | 33 | 42 | 50 | 59 | 73 | 82 | 98 | 108 | 118 | 128 | 138 | 148 | 158 | 183 | 194 | 205 |

B₁ AND C₁ ARE DIMENSIONS FOR ROUND PIPE MANIFOLD; B₂ AND C₂ ARE FOR SQUARE TUBE MAINFOLD
 *INLET MAY BE PLACED AT END, BOTTOM, OR SIDE OF SQUARE TUBING MANIFOLD; AT END ONLY OF ROUND PIPE MANIFOLD
 : DIMENSIONS OF BURNERS LONGER THAN 107" AVAILABLE UPON REQUEST
 " TO CUSTOMER'S SPECIFICATIONS WHEN MANIFOLD "D" IS LONGER THAN BURNER "A"
 SPECIFY IGNITER LOCATION (X₁ OR X₂) _____; SPECIFY MONITOR LOCATION (Y₁ OR Y₂) _____

Selas Heat Technology Company
 11012 Aurora Hudson Road
 Streetsboro, OH 44241
 Toll Free: 800-883-9218
 Phone: 216-662-8800
 Fax: 216-663-8954

RED-RAY TYPE "AR-125H"



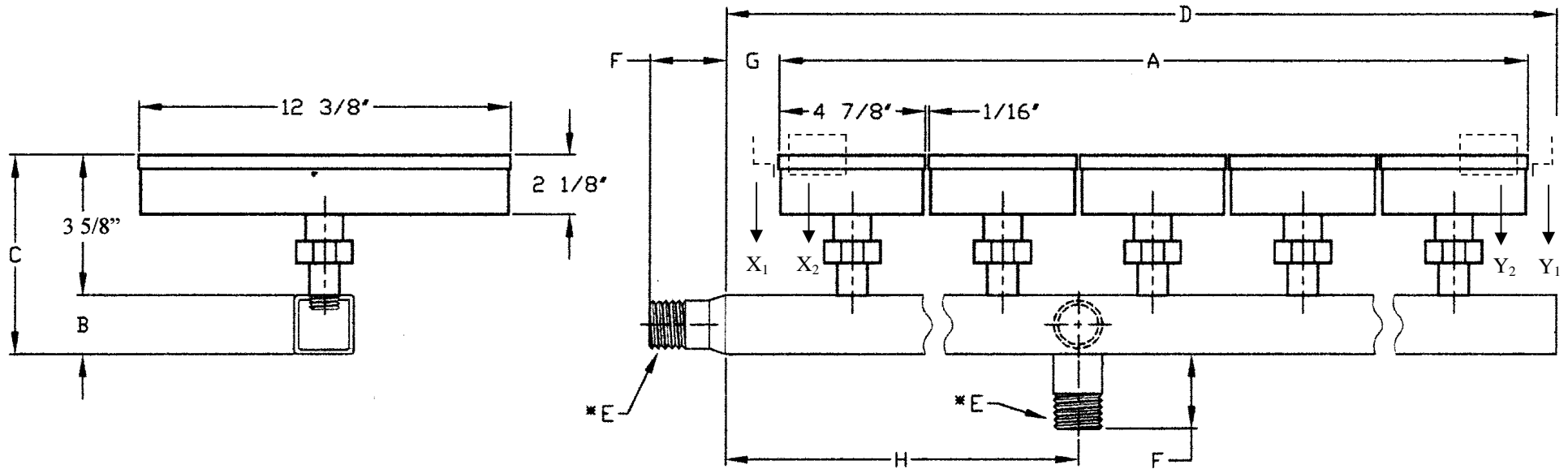
BURNER DIMENSIONS IN INCHES

| NUMBER OF SECTIONS | 1 | 2 | 3 | 4 | 5 | 6 | 7 | 8 | 9 | 10 | 11 | 12 | 13 | 14 | 15 | 16 | 17 | 18 |
|---------------------------|-------------------|---------------------|-------------------|---------------------|-------------------|--------------------|------------------|--------------------|--------------------|---------------------|--------------------|---------------------|--------------------|---------------------|--------------------|----------------------|--------------------|----------------------|
| A | 12 ^{3/8} | 24 ^{13/16} | 37 ^{1/4} | 49 ^{11/16} | 62 ^{1/8} | 74 ^{9/16} | 87 | 99 ^{7/16} | 111 ^{7/8} | 124 ^{5/16} | 136 ^{3/4} | 149 ^{3/16} | 161 ^{5/8} | 174 ^{1/16} | 186 ^{1/2} | 198 ^{15/16} | 211 ^{3/8} | 223 ^{13/16} |
| B₁ | 1 ^{1/2} | 1 ^{1/2} | 1 ^{1/2} | 1 ^{1/2} | 1 ^{1/2} | 2 | 2 | 2 | 2 | 2 | 2 | 2 | 2 ^{1/2} | 2 ^{1/2} | 2 ^{1/2} | 2 ^{1/2} | 2 ^{1/2} | 2 ^{1/2} |
| B₂ | 2 | 2 | 2 | 2 | 2 | 2 ^{1/2} | 2 ^{1/2} | 2 ^{1/2} | 2 ^{1/2} | 2 ^{1/2} | 2 ^{1/2} | 2 ^{1/2} | 3 | 3 | 3 | 3 | 3 | 3 |
| C₁ | 5 ^{1/8} | 5 ^{1/8} | 5 ^{1/8} | 5 ^{1/8} | 5 ^{1/8} | 5 ^{5/8} | 5 ^{5/8} | 5 ^{5/8} | 5 ^{5/8} | 5 ^{5/8} | 5 ^{5/8} | 5 ^{5/8} | 6 ^{1/8} | 6 ^{1/8} | 6 ^{1/8} | 6 ^{1/8} | 6 ^{1/8} | 6 ^{1/8} |
| C₂ | 5 ^{5/8} | 5 ^{5/8} | 5 ^{5/8} | 5 ^{5/8} | 5 ^{5/8} | 6 ^{1/8} | 6 ^{1/8} | 6 ^{1/8} | 6 ^{1/8} | 6 ^{1/8} | 6 ^{1/8} | 6 ^{1/8} | 6 ^{5/8} | 6 ^{5/8} | 6 ^{5/8} | 6 ^{5/8} | 6 ^{5/8} | 6 ^{5/8} |
| D | | | | | | | | | | | | | | | | | | |
| E | 3/4 | 1 | 1 | 1 ^{1/4} | 1 ^{1/4} | 1 ^{1/2} | 1 ^{1/2} | 1 ^{1/2} | 1 ^{1/2} | 1 ^{1/2} | 1 ^{1/2} | 1 ^{1/2} | 2 | 2 | 2 | 2 | 2 | 2 |
| F | 4 | 4 | 4 | 4 | 4 | 4 | 4 | 4 | 4 | 4 | 4 | 4 | 4 | 4 | 4 | 4 | 4 | 4 |
| G" | | | | | | | | | | | | | | | | | | |
| H | | | | | | | | | | | | | | | | | | |
| SHIPPING WT. (LBS) | 15 | 40 | 55 | 70 | 87 | 100 | 124 | 141 | 158 | 175 | 192 | 209 | 236 | 254 | 271 | 289 | 307 | 324 |

B₁ AND C₁ ARE DIMENSIONS FOR ROUND PIPE MANIFOLD; B₂ AND C₂ ARE FOR SQUARE TUBE MAINFOLD
 *INLET MAY BE PLACED AT END, BOTTOM, OR SIDE OF SQUARE TUBING MANIFOLD; AT END ONLY OF ROUND PIPE MANIFOLD
 : DIMENSIONS OF BURNERS LONGER THAN 224" AVAILABLE UPON REQUEST
 " TO CUSTOMER'S SPECIFICATIONS WHEN MANIFOLD "D" IS LONGER THAN BURNER "A"
 SPECIFY IGNITER LOCATION (X₁ OR X₂) _____; SPECIFY MONITOR LOCATION (Y₁ OR Y₂) _____

Selas Heat Technology Company
 11012 Aurora Hudson Road
 Streetsboro, OH 44241
 Toll Free: 800-883-9218
 Phone: 216-662-8800
 Fax: 216-663-8954

RED-RAY TYPE "AR-125V"



BURNER DIMENSIONS IN INCHES

| NUMBER OF SECTIONS | 1 | 2 | 3 | 4 | 5 | 6 | 7 | 8 | 9 | 10 | 11 | 12 | 13 | 14 | 15 | 16 | 17 | 18 |
|---------------------------|------------------|--------------------|-------------------|---------------------|-------------------|--------------------|-------------------|--------------------|-------------------|--------------------|-------------------|--------------------|-------------------|--------------------|-------|---------------------|-------------------|---------------------|
| A | 4 ^{7/8} | 9 ^{13/16} | 14 ^{3/4} | 19 ^{11/16} | 24 ^{5/8} | 29 ^{9/16} | 34 ^{1/2} | 39 ^{7/16} | 44 ^{3/8} | 49 ^{5/16} | 54 ^{1/4} | 59 ^{3/16} | 64 ^{1/8} | 69 ^{1/16} | 74 | 78 ^{15/16} | 83 ^{7/8} | 88 ^{13/16} |
| B₁ | 1 1/2 | 1 1/2 | 1 1/2 | 1 1/2 | 1 1/2 | 2 | 2 | 2 | 2 | 2 | 2 | 2 | 2 1/2 | 2 1/2 | 2 1/2 | 2 1/2 | 2 1/2 | 2 1/2 |
| B₂ | 2 | 2 | 2 | 2 | 2 | 2 1/2 | 2 1/2 | 2 1/2 | 2 1/2 | 2 1/2 | 2 1/2 | 2 1/2 | 3 | 3 | 3 | 3 | 3 | 3 |
| C₁ | 5 1/8 | 5 1/8 | 5 1/8 | 5 1/8 | 5 1/8 | 5 5/8 | 5 5/8 | 5 5/8 | 5 5/8 | 5 5/8 | 5 5/8 | 5 5/8 | 6 1/8 | 6 1/8 | 6 1/8 | 6 1/8 | 6 1/8 | 6 1/8 |
| C₂ | 5 5/8 | 5 5/8 | 5 5/8 | 5 5/8 | 5 5/8 | 6 1/8 | 6 1/8 | 6 1/8 | 6 1/8 | 6 1/8 | 6 1/8 | 6 1/8 | 6 5/8 | 6 5/8 | 6 5/8 | 6 5/8 | 6 5/8 | 6 5/8 |
| D | | | | | | | | | | | | | | | | | | |
| E | 3/4 | 1 | 1 | 1 1/4 | 1 1/4 | 1 1/2 | 1 1/2 | 1 1/2 | 1 1/2 | 1 1/2 | 1 1/2 | 1 1/2 | 2 | 2 | 2 | 2 | 2 | 2 |
| F | 4 | 4 | 4 | 4 | 4 | 4 | 4 | 4 | 4 | 4 | 4 | 4 | 4 | 4 | 4 | 4 | 4 | 4 |
| G" | | | | | | | | | | | | | | | | | | |
| H | | | | | | | | | | | | | | | | | | |
| SHIPPING WT. (LBS) | 15 | 30 | 40 | 51 | 61 | 74 | 85 | 96 | 106 | 117 | 128 | 139 | 157 | 168 | 180 | 191 | 203 | 214 |

B₁ AND C₁ ARE DIMENSIONS FOR ROUND PIPE MANIFOLD; B₂ AND C₂ ARE FOR SQUARE TUBE MAINFOLD
 *INLET MAY BE PLACED AT END, BOTTOM, OR SIDE OF SQUARE TUBING MANIFOLD; AT END ONLY OF ROUND PIPE MANIFOLD

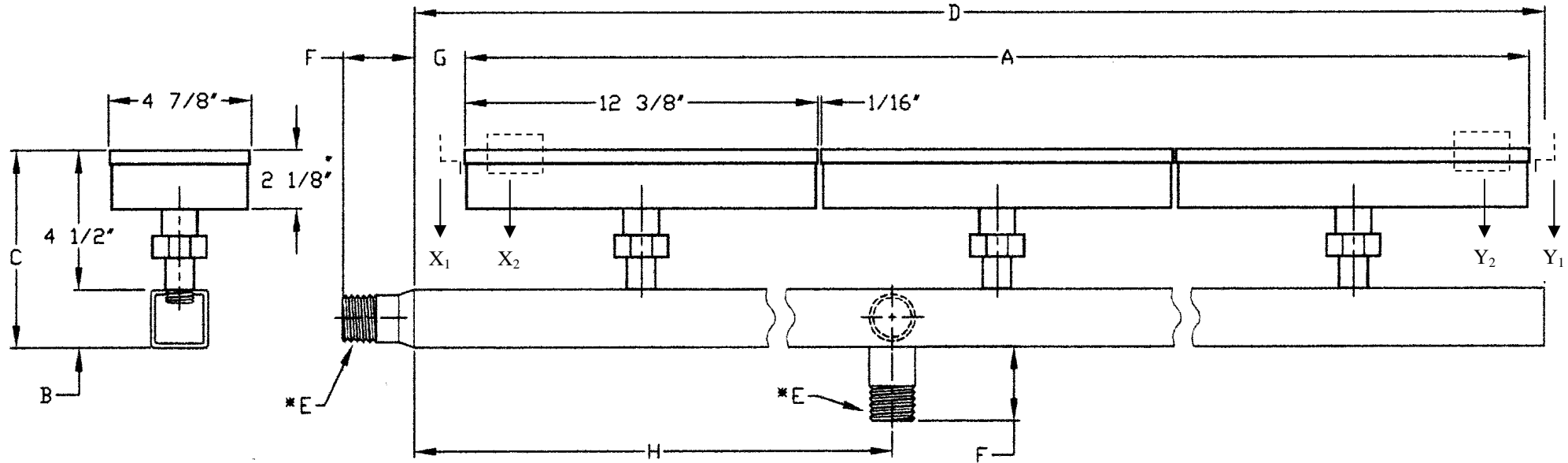
: DIMENSIONS OF BURNERS LONGER THAN 91" AVAILABLE UPON REQUEST

" TO CUSTOMER'S SPECIFICATIONS WHEN MANIFOLD "D" IS LONGER THAN BURNER "A"

SPECIFY IGNITER LOCATION (X₁ OR X₂) _____; SPECIFY MONITOR LOCATION (Y₁ OR Y₂) _____

Selas Heat Technology Company
 11012 Aurora Hudson Road
 Streetsboro, OH 44241
 Toll Free: 800-883-9218
 Phone: 216-662-8800
 Fax: 216-663-8954

RED-RAY TYPE "ARL-125H AND ARR-125H"



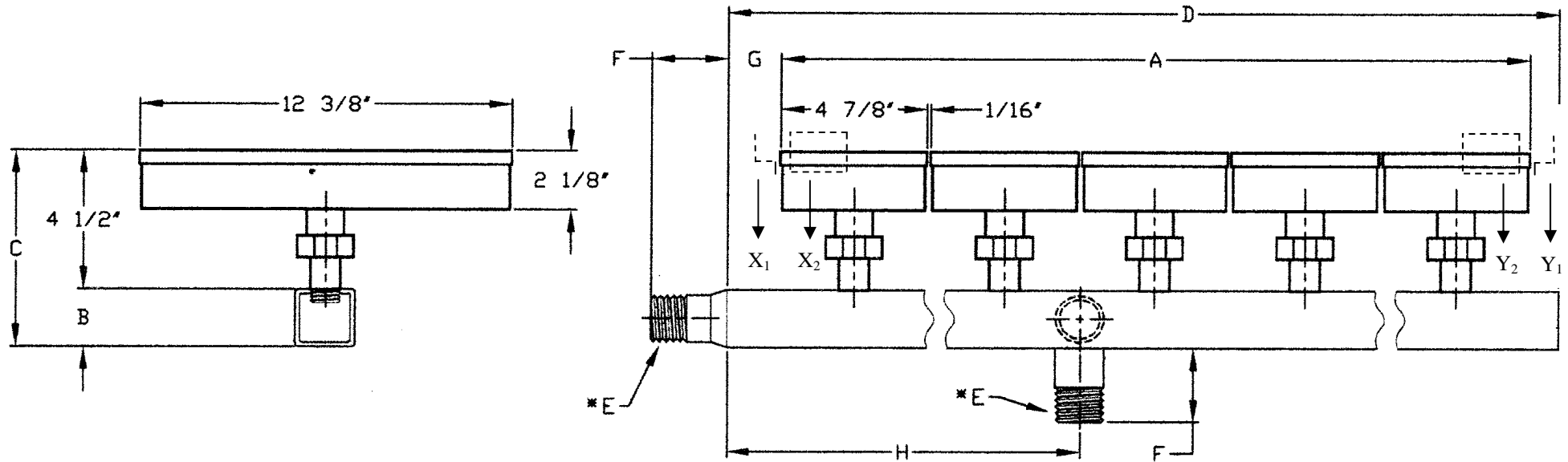
BURNER DIMENSIONS IN INCHES

| NUMBER OF SECTIONS | 1 | 2 | 3 | 4 | 5 | 6 | 7 | 8 | 9 | 10 | 11 | 12 | 13 | 14 | 15 | 16 | 17 | 18 |
|---------------------------|-------------------|---------------------|-------------------|---------------------|-------------------|--------------------|-------|--------------------|--------------------|---------------------|--------------------|---------------------|--------------------|---------------------|--------------------|----------------------|--------------------|----------------------|
| A | 12 ^{3/8} | 24 ^{13/16} | 37 ^{1/4} | 49 ^{11/16} | 62 ^{1/8} | 74 ^{9/16} | 87 | 99 ^{7/16} | 111 ^{7/8} | 124 ^{5/16} | 136 ^{3/4} | 149 ^{3/16} | 161 ^{5/8} | 174 ^{1/16} | 186 ^{1/2} | 198 ^{15/16} | 211 ^{3/8} | 223 ^{13/16} |
| B₁ | 1 1/2 | 1 1/2 | 1 1/2 | 1 1/2 | 1 1/2 | 2 | 2 | 2 | 2 | 2 | 2 | 2 | 2 1/2 | 2 1/2 | 2 1/2 | 2 1/2 | 2 1/2 | 2 1/2 |
| B₂ | 2 | 2 | 2 | 2 | 2 | 2 1/2 | 2 1/2 | 2 1/2 | 2 1/2 | 2 1/2 | 2 1/2 | 2 1/2 | 3 | 3 | 3 | 3 | 3 | 3 |
| C₁ | 6 | 6 | 6 | 6 | 6 | 6 1/2 | 6 1/2 | 6 1/2 | 6 1/2 | 6 1/2 | 6 1/2 | 6 1/2 | 7 | 7 | 7 | 7 | 7 | 7 |
| C₂ | 6 1/2 | 6 1/2 | 6 1/2 | 6 1/2 | 6 1/2 | 7 | 7 | 7 | 7 | 7 | 7 | 7 | 7 1/2 | 7 1/2 | 7 1/2 | 7 1/2 | 7 1/2 | 7 1/2 |
| D | | | | | | | | | | | | | | | | | | |
| E | 3/4 | 1 | 1 | 1 1/4 | 1 1/4 | 1 1/2 | 1 1/2 | 1 1/2 | 1 1/2 | 1 1/2 | 1 1/2 | 1 1/2 | 2 | 2 | 2 | 2 | 2 | 2 |
| F | 4 | 4 | 4 | 4 | 4 | 4 | 4 | 4 | 4 | 4 | 4 | 4 | 4 | 4 | 4 | 4 | 4 | 4 |
| G" | | | | | | | | | | | | | | | | | | |
| H | | | | | | | | | | | | | | | | | | |
| SHIPPING WT. (LBS) | 15 | 40 | 55 | 70 | 87 | 100 | 124 | 141 | 158 | 175 | 192 | 209 | 236 | 254 | 271 | 289 | 307 | 324 |

B₁ AND C₁ ARE DIMENSIONS FOR ROUND PIPE MANIFOLD; B₂ AND C₂ ARE FOR SQUARE TUBE MAINFOLD
 *INLET MAY BE PLACED AT END, BOTTOM, OR SIDE OF SQUARE TUBING MANIFOLD; AT END ONLY OF ROUND PIPE MANIFOLD
 : DIMENSIONS OF BURNERS LONGER THAN 224" AVAILABLE UPON REQUEST
 " TO CUSTOMER'S SPECIFICATIONS WHEN MANIFOLD "D" IS LONGER THAN BURNER "A"
 SPECIFY IGNITER LOCATION (X₁ OR X₂) _____; SPECIFY MONITOR LOCATION (Y₁ OR Y₂) _____

Selas Heat Technology Company
 11012 Aurora Hudson Road
 Streetsboro, OH 44241
 Toll Free: 800-883-9218
 Phone: 216-662-8800
 Fax: 216-663-8954

RED-RAY TYPE "ARL-125V AND ARR-125V"



BURNER DIMENSIONS IN INCHES

| NUMBER OF SECTIONS | 1 | 2 | 3 | 4 | 5 | 6 | 7 | 8 | 9 | 10 | 11 | 12 | 13 | 14 | 15 | 16 | 17 | 18 |
|---------------------------|------------------|--------------------|-------------------|---------------------|-------------------|--------------------|-------------------|--------------------|-------------------|--------------------|-------------------|--------------------|-------------------|--------------------|------------------|---------------------|-------------------|---------------------|
| A | 4 ^{7/8} | 9 ^{13/16} | 14 ^{3/4} | 19 ^{11/16} | 24 ^{5/8} | 29 ^{9/16} | 34 ^{1/2} | 39 ^{7/16} | 44 ^{3/8} | 49 ^{5/16} | 54 ^{1/4} | 59 ^{3/16} | 64 ^{1/8} | 69 ^{1/16} | 74 | 78 ^{15/16} | 83 ^{7/8} | 88 ^{13/16} |
| B₁ | 1 ^{1/2} | 1 ^{1/2} | 1 ^{1/2} | 1 ^{1/2} | 1 ^{1/2} | 2 | 2 | 2 | 2 | 2 | 2 | 2 | 2 ^{1/2} | 2 ^{1/2} | 2 ^{1/2} | 2 ^{1/2} | 2 ^{1/2} | 2 ^{1/2} |
| B₂ | 2 | 2 | 2 | 2 | 2 | 2 ^{1/2} | 2 ^{1/2} | 2 ^{1/2} | 2 ^{1/2} | 2 ^{1/2} | 2 ^{1/2} | 2 ^{1/2} | 3 | 3 | 3 | 3 | 3 | 3 |
| C₁ | 6 | 6 | 6 | 6 | 6 | 6 ^{1/2} | 6 ^{1/2} | 6 ^{1/2} | 6 ^{1/2} | 6 ^{1/2} | 6 ^{1/2} | 6 ^{1/2} | 7 | 7 | 7 | 7 | 7 | 7 |
| C₂ | 6 ^{1/2} | 6 ^{1/2} | 6 ^{1/2} | 6 ^{1/2} | 6 ^{1/2} | 7 | 7 | 7 | 7 | 7 | 7 | 7 | 7 ^{1/2} | 7 ^{1/2} | 7 ^{1/2} | 7 ^{1/2} | 7 ^{1/2} | 7 ^{1/2} |
| D | | | | | | | | | | | | | | | | | | |
| E | 3/4 | 1 | 1 | 1 ^{1/4} | 1 ^{1/4} | 1 ^{1/2} | 1 ^{1/2} | 1 ^{1/2} | 1 ^{1/2} | 1 ^{1/2} | 1 ^{1/2} | 1 ^{1/2} | 2 | 2 | 2 | 2 | 2 | 2 |
| F | 4 | 4 | 4 | 4 | 4 | 4 | 4 | 4 | 4 | 4 | 4 | 4 | 4 | 4 | 4 | 4 | 4 | 4 |
| G" | | | | | | | | | | | | | | | | | | |
| H | | | | | | | | | | | | | | | | | | |
| SHIPPING WT. (LBS) | 15 | 30 | 40 | 51 | 61 | 74 | 85 | 96 | 106 | 117 | 128 | 139 | 157 | 168 | 180 | 191 | 203 | 214 |

B₁ AND C₁ ARE DIMENSIONS FOR ROUND PIPE MANIFOLD; B₂ AND C₂ ARE FOR SQUARE TUBE MAINFOLD
 *INLET MAY BE PLACED AT END, BOTTOM, OR SIDE OF SQUARE TUBING MANIFOLD; AT END ONLY OF ROUND PIPE MANIFOLD

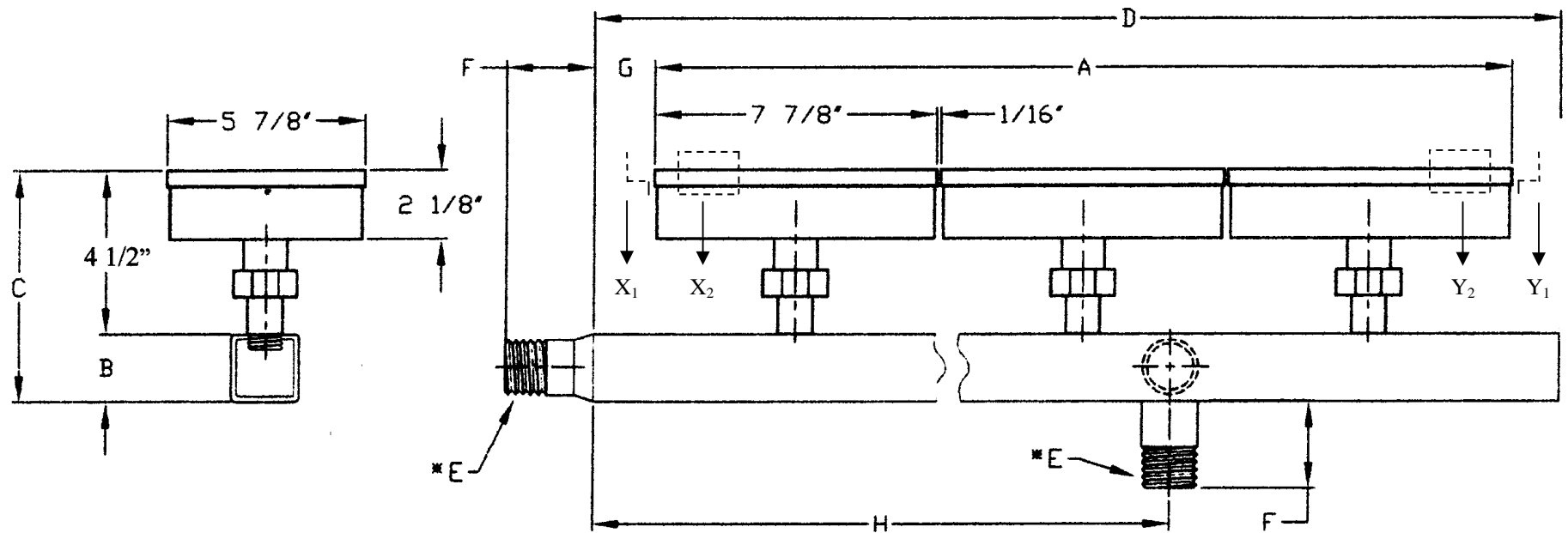
: DIMENSIONS OF BURNERS LONGER THAN 91" AVAILABLE UPON REQUEST

" TO CUSTOMER'S SPECIFICATIONS WHEN MANIFOLD "D" IS LONGER THAN BURNER "A"

SPECIFY IGNITER LOCATION (X₁ OR X₂) _____; SPECIFY MONITOR LOCATION (Y₁ OR Y₂) _____

Selas Heat Technology Company
 11012 Aurora Hudson Road
 Streetsboro, OH 44241
 Toll Free: 800-883-9218
 Phone: 216-662-8800
 Fax: 216-663-8954

RED-RAY TYPE "ARR-86H" WITH STAINLESS STEEL CONNECTORS



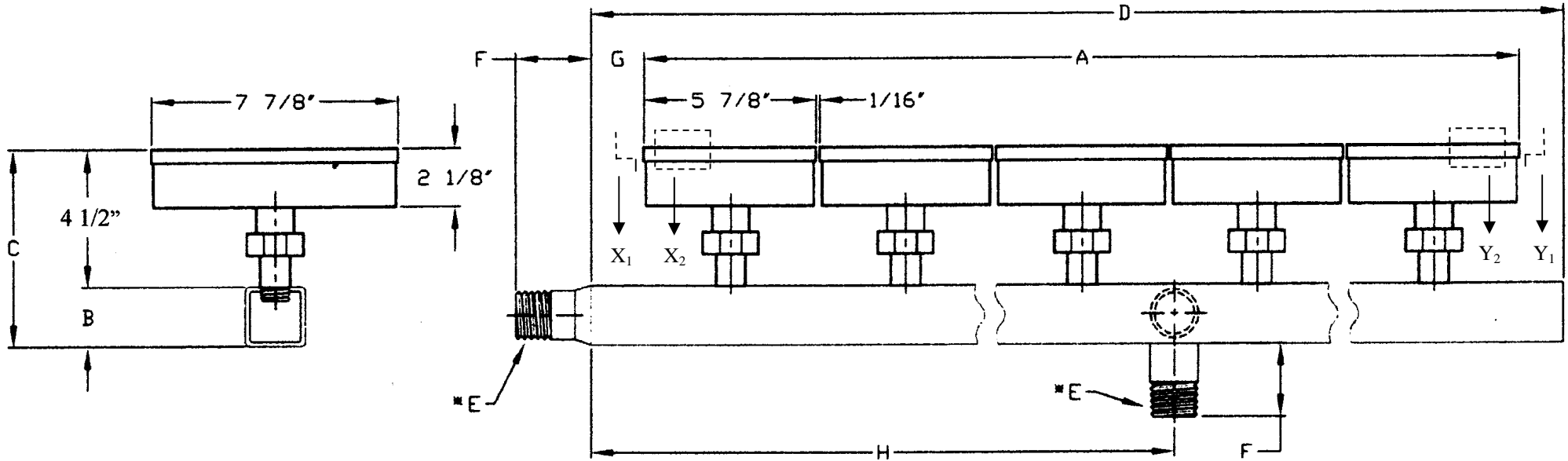
BURNER DIMENSIONS IN INCHES

| NUMBER OF SECTIONS | 1 | 2 | 3 | 4 | 5 | 6 | 7 | 8 | 9 | 10 | 11 | 12 | 13 | 14 | 15 | 16 | 17 | 18 |
|---------------------------|------------------|---------------------|-------------------|---------------------|-------------------|--------------------|-------------------|--------------------|-------------------|--------------------|-------------------|--------------------|--------------------|---------------------|-------|----------------------|--------------------|----------------------|
| A | 7 ^{7/8} | 15 ^{13/16} | 23 ^{3/4} | 31 ^{11/16} | 39 ^{5/8} | 47 ^{9/16} | 55 ^{1/2} | 63 ^{7/16} | 71 ^{3/8} | 79 ^{5/16} | 87 ^{1/4} | 95 ^{3/16} | 103 ^{1/8} | 111 ^{1/16} | 119 | 126 ^{15/16} | 134 ^{7/8} | 142 ^{13/16} |
| B₁ | 1 1/2 | 1 1/2 | 1 1/2 | 1 1/2 | 1 1/2 | 1 1/2 | 1 1/2 | 1 1/2 | 2 | 2 | 2 | 2 | 2 | 2 | 2 | 2 1/2 | 2 1/2 | 2 1/2 |
| B₂ | 2 | 2 | 2 | 2 | 2 | 2 | 2 | 2 | 2 1/2 | 2 1/2 | 2 1/2 | 2 1/2 | 2 1/2 | 2 1/2 | 2 1/2 | 3 | 3 | 3 |
| C₁ | 6 | 6 | 6 | 6 | 6 | 6 | 6 | 6 | 6 1/2 | 6 1/2 | 6 1/2 | 6 1/2 | 6 1/2 | 6 1/2 | 6 1/2 | 7 | 7 | 7 |
| C₂ | 6 1/2 | 6 1/2 | 6 1/2 | 6 1/2 | 6 1/2 | 6 1/2 | 6 1/2 | 6 1/2 | 7 | 7 | 7 | 7 | 7 | 7 | 7 | 7 1/2 | 7 1/2 | 7 1/2 |
| D | | | | | | | | | | | | | | | | | | |
| E | 3/4 | 3/4 | 1 | 1 | 1 | 1 | 1 1/4 | 1 1/4 | 1 1/2 | 1 1/2 | 1 1/2 | 1 1/2 | 1 1/2 | 1 1/2 | 1 1/2 | 2 | 2 | 2 |
| F | 4 | 4 | 4 | 4 | 4 | 4 | 4 | 4 | 4 | 4 | 4 | 4 | 4 | 4 | 4 | 4 | 4 | 4 |
| G" | | | | | | | | | | | | | | | | | | |
| H | | | | | | | | | | | | | | | | | | |
| SHIPPING WT. (LBS) | 12 | 26 | 36 | 46 | 57 | 67 | 83 | 94 | 113 | 125 | 137 | 149 | 161 | 173 | 185 | 216 | 229 | 242 |

B₁ AND C₁ ARE DIMENSIONS FOR ROUND PIPE MANIFOLD; B₂ AND C₂ ARE FOR SQUARE TUBE MAINFOLD
 *INLET MAY BE PLACED AT END, BOTTOM, OR SIDE OF SQUARE TUBING MANIFOLD; AT END ONLY OF ROUND PIPE MANIFOLD
 : DIMENSIONS OF BURNERS LONGER THAN 143" AVAILABLE UPON REQUEST
 " TO CUSTOMER'S SPECIFICATIONS WHEN MANIFOLD "D" IS LONGER THAN BURNER "A"
 SPECIFY IGNITER LOCATION (X₁ OR X₂) _____; SPECIFY MONITOR LOCATION (Y₁ OR Y₂) _____

Selas Heat Technology Company
 11012 Aurora Hudson Road
 Streetsboro, OH 44241
 Toll Free: 800-883-9218
 Phone: 216-662-8800
 Fax: 216-663-8954

RED-RAY TYPE "ARR-86V" WITH STAINLESS STEEL CONNECTORS



BURNER DIMENSIONS IN INCHES

| NUMBER OF SECTIONS | 1 | 2 | 3 | 4 | 5 | 6 | 7 | 8 | 9 | 10 | 11 | 12 | 13 | 14 | 15 | 16 | 17 | 18 |
|---------------------------|------------------|---------------------|-------------------|---------------------|-------------------|--------------------|-------------------|--------------------|-------------------|--------------------|-------------------|--------------------|-------------------|--------------------|-------|---------------------|--------------------|----------------------|
| A | 5 ^{7/8} | 11 ^{13/16} | 17 ^{3/4} | 23 ^{11/16} | 29 ^{5/8} | 35 ^{9/16} | 41 ^{1/2} | 47 ^{7/16} | 53 ^{3/8} | 59 ^{5/16} | 65 ^{1/4} | 71 ^{3/16} | 77 ^{1/8} | 83 ^{1/16} | 89 | 94 ^{15/16} | 100 ^{7/8} | 106 ^{13/16} |
| B₁ | 1 1/2 | 1 1/2 | 1 1/2 | 1 1/2 | 1 1/2 | 1 1/2 | 1 1/2 | 1 1/2 | 2 | 2 | 2 | 2 | 2 | 2 | 2 | 2 1/2 | 2 1/2 | 2 1/2 |
| B₂ | 2 | 2 | 2 | 2 | 2 | 2 | 2 | 2 | 2 1/2 | 2 1/2 | 2 1/2 | 2 1/2 | 2 1/2 | 2 1/2 | 2 1/2 | 3 | 3 | 3 |
| C₁ | 6 | 6 | 6 | 6 | 6 | 6 | 6 | 6 | 6 1/2 | 6 1/2 | 6 1/2 | 6 1/2 | 6 1/2 | 6 1/2 | 6 1/2 | 7 | 7 | 7 |
| C₂ | 6 1/2 | 6 1/2 | 6 1/2 | 6 1/2 | 6 1/2 | 6 1/2 | 6 1/2 | 6 1/2 | 7 | 7 | 7 | 7 | 7 | 7 | 7 | 7 1/2 | 7 1/2 | 7 1/2 |
| D | | | | | | | | | | | | | | | | | | |
| E | 3/4 | 3/4 | 1 | 1 | 1 | 1 | 1 1/4 | 1 1/4 | 1 1/2 | 1 1/2 | 1 1/2 | 1 1/2 | 1 1/2 | 1 1/2 | 1 1/2 | 2 | 2 | 2 |
| F | 4 | 4 | 4 | 4 | 4 | 4 | 4 | 4 | 4 | 4 | 4 | 4 | 4 | 4 | 4 | 4 | 4 | 4 |
| G" | | | | | | | | | | | | | | | | | | |
| H | | | | | | | | | | | | | | | | | | |
| SHIPPING WT. (LBS) | 12 | 24 | 33 | 42 | 50 | 59 | 73 | 82 | 98 | 108 | 118 | 128 | 138 | 148 | 158 | 183 | 194 | 205 |

B₁ AND C₁ ARE DIMENSIONS FOR ROUND PIPE MANIFOLD; B₂ AND C₂ ARE FOR SQUARE TUBE MAINFOLD
 *INLET MAY BE PLACED AT END, BOTTOM, OR SIDE OF SQUARE TUBING MANIFOLD; AT END ONLY OF ROUND PIPE MANIFOLD

: DIMENSIONS OF BURNERS LONGER THAN 107" AVAILABLE UPON REQUEST
 " TO CUSTOMER'S SPECIFICATIONS WHEN MANIFOLD "D" IS LONGER THAN BURNER "A"
 SPECIFY IGNITER LOCATION (X₁ OR X₂) _____; SPECIFY MONITOR LOCATION (Y₁ OR Y₂) _____

Selas Heat Technology Company
 11012 Aurora Hudson Road
 Streetsboro, OH 44241
 Toll Free: 800-883-9218
 Phone: 216-662-8800
 Fax: 216-663-8954