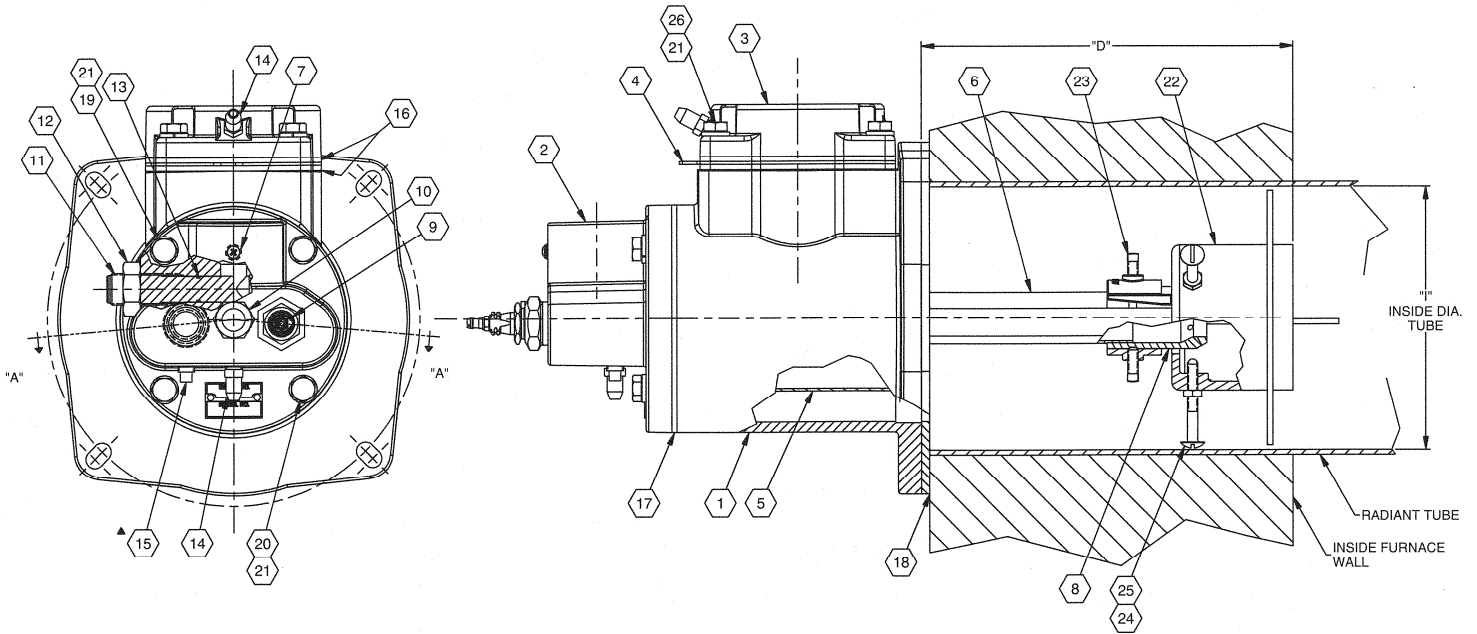




# PARTS LIST

## RFG RADiFlame RADIANT TUBE GAS BURNERS

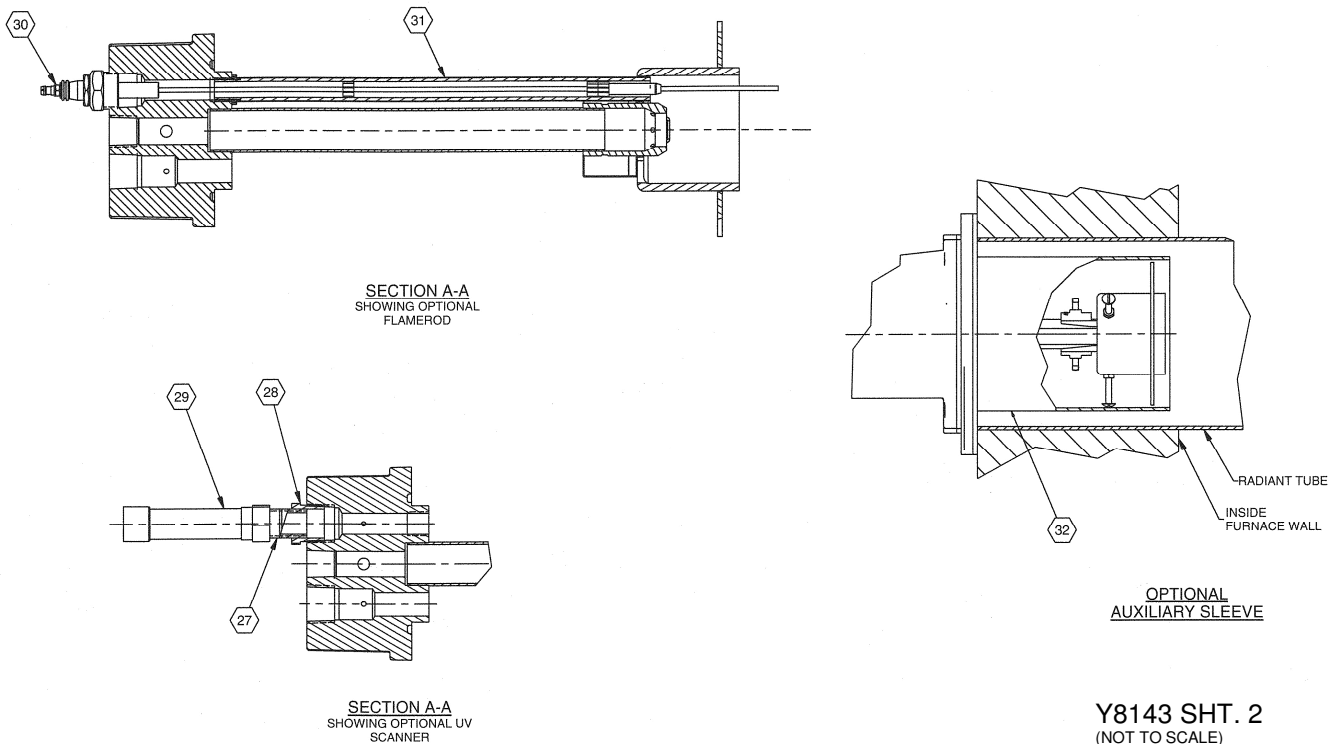


Y8143 SHT. 1  
(NOT TO SCALE)

Key

No	Description	RFG120	RFG220	RFG125	RFG225
1	Body, Burner Air	404864	404864	404864	404864
2	Backplate, Burner	406663	406663	406663	406663
3	Flange, Air	402761x001	402761x001	402761x002	402761x002
4	Orifice Plate, Fixed Spin	406664	406665	406666	406667
5	Tube, Air Restricting	403798	403798	403798	403798
6	Tube, Gas Extension ("D" Dimensions Required)	403796x	403796x	403796x	403796x
7	Screw, Grounding	7445x004	7445x004	7445x004	7445x004
8	Nozzle, Burner Gas	404555	404555	404555	404555
9	Spark Igniter Assembly, Burner ("D" Dimensions Required)	406669x	406669x	406669x	406669x
9a	Spark Igniter, Burner ("D" Dimensions Required)	406144x	406144x	406144x	406144x
10	Port, Observation	12823	12823	12823	12823
11	Screw, Gas Orifice Adjustment	403797	403797	403797	403797
12	Nut, Hex Jam	7355	7355	7355	7355
13	Packing, O-Ring	7324x014	7324x014	7324x014	7324x014
14	Test Point, 1/8 NPT Pressure	300631	300631	300631	300631
15	Plug, Square Head 1/8 NPT Pipe	7056	7056	7056	7056
16	Gasket, Hot Air Outlet Mounting Flange	402755	402755	402755	402755
17	Gasket, Burner Backplate Mounting	402752	402752	402752	402752
18	Gasket, Burner Mounting	402753	402753	402753	402753

Key No	Description	RFG120	RFG220	RFG125	RFG225
19	Screw, Hex Head Cap	7236x026	7236x026	7236x026	7236x026
20	Screw, Hex Head Cap	7236x010	7236x010	7236x010	7236x010
21	Washer, Standard Medium Spring Lock	7105	7105	7105	7105
22	Nozzle Assembly, Ignition ("D" Dimensions Required)	404556x	404556x	404880x	404880x
23	Screw, Square Head Cup Point Set	6964x005	6964x005	6964x005	6964x005
24	Nut, Hex Jam (STSTL 18-8)	7305	7305	7305	7305
25	Screw, Truss Head Machine (STSTL 18-8)	7304x	7304x	7304x	7304x
26	Screw, Hex Head Cap	7236x012	7236x012	7236x012	7236x012



OPTIONAL					
27	Nipple, Shoulder	436	436	436	436
28	Bushing, Reducing	339	339	339	339
29	Scanner, UV (Honeywell)	20579	20579	20579	20579
	Scanner, UV (Kromschroder)	84315205	84315205	84315205	84315205
30	Flame Rod Assembly ("D" Dimensions Required)	404605x	404605x	404605x	404605x
31	Tube, Flame Rod Cooling Air ("D" Dimensions Required)	404871x	404871x	404871x	404871x
32	Sleeve Assembly, Auxiliary ("D" Dimensions Required)	404872x	404872x	404872x	404872x

**NOTES**

- DIMENSIONS "D" & "I" MUST BE SPECIFIED WHEN ORDERING REPLACEMENT PARTS
- ▲ - PLUG ONLY REQUIRED LESS FLAMEROD AND SCANNER OPTION
- \* - OPTIONAL ITEMS

NOTE: Parts listed to be available for 5 years. Items shown in red, to be maintained as spares for 10 years.

