

TS-R Series

TS-R... RWF5 Load Controller Enclosures



Description

TS-R... series RWF5 enclosures provides accurate PID loop control for specific applications such as modulating burner/boiler control application, water level, heat recovery, makeup air units, etc. The RWF55 provides a RS485 Modbus RTU communication port allowing the RWF55 control to communicate with a Building Management System (BMS) or function as an integral part of a PLC or BMS based lead/lag boiler room management system.

Each TS-R... enclosure contains a pre-mounted RWF5 in an enclosure and is prewired to field terminals. The field terminals allow for quick wiring to field devices such as a SKB/C/D actuators, pressure transmitters, differential pressure transmitters, etc.

Flexible communication interface options to the building management system (BMS) provide streamlined data collection, monitoring and control.

Standard Features

- RWF50 or RWF55 enclosures
- Field connection terminals
- Analog input/outputs connections
 - Three analog inputs per RWF55
 - One analog input per RWF50
 - One analog output per RWF5
- One dry contact for application start stop per RWF5
- One dry contact for application alarm per RWF55
- One PID loop controller per RWF5
- Various alarm function options for each RWF55
- Degree F or Degree C display for temperature applications
- Load control compatible with SCC Master Panel Lead Lag system when no LMV is present

Application

TS-R... RWF5 kits are used as load controller or PID controller for a system requiring external control.

Components

All TS-R... enclosure include the following components:

- RWF50 or RWF55 load controllers
- Branch circuit protection
- Interconnect terminals for field wiring

The following optional features are available:

- Operation and alarm indicator lights
- 24VAC transformer for SKB/C/D actuators
- Enclosure disconnect
- Cooling fan
- Manual or automatic reset Warrick relays for low water cut off
- Modbus RTU RS485 BMS communication with an RWF55
- BMS communications other than Modbus RTU RS485

Product Part Numbers

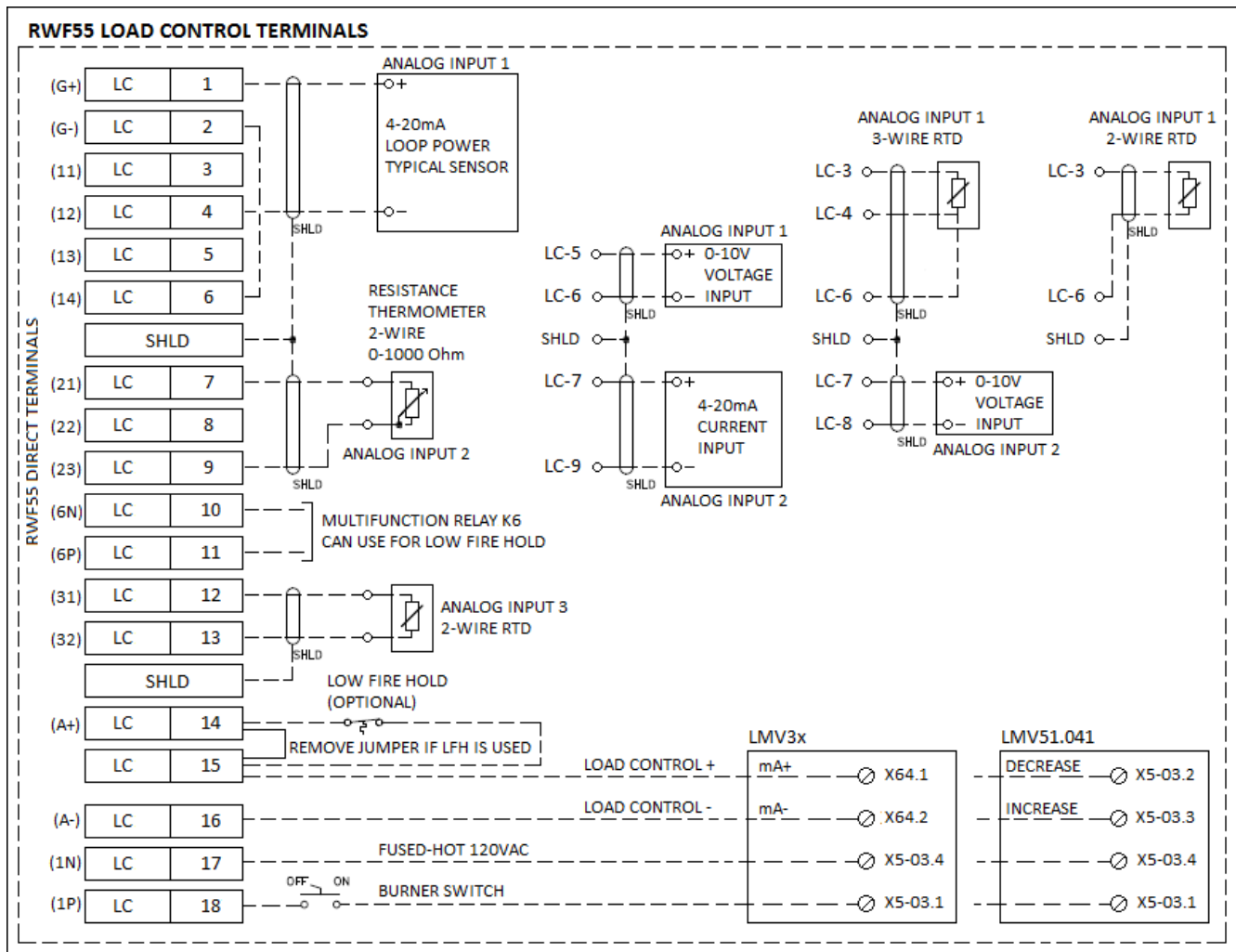
	TS	-	R	5	L	B	X	-	1	X	B	-	1	Y	X	1
Touchscreen																
RWF Panel																
RWF Selection																
5 = RWF55.50A9																
3 = RWF50.30A9																
Load Control																
X = No load control																
L = Load control - 1 unit																
T = Load control - 1 unit third party FSG (RWF55 only)																
2 = Load control - 2 units																
3 = Load control - 3 units																
Water Level Control																
X = No water level control																
W = Water level control																
B = Water level control and backup control																
E = Water level control - 2 elements (RWF55 only)																
Makeup Air Unit Control																
X = No makeup air unit control																
M = Makeup air unit control - 1 unit																
2 = Makeup air unit control - 2 units																
S = Makeup air unit control - 2 units with selector switch																
SKB/C/D Power Transformer																
X = No power transformer																
1 = 1 power transformer (up to 2 RWF's)																
2 = 2 power transformers (3 RWF's)																
Operation and Alarms Indicator Lights																
X = No indicator lights or alarm																
Y = Indicator lights and alarm included (Not available for Load Control)																
Building Management Interface (BMS)																
S = Standard, Modbus RTU RS485 (RWF55 only)																
B = BACnet / IP, Modbus TCP/IP, or Ethernet / IP (RWF55 only)																
M = BACnet MS/TP, Modbus RTU, or Metasys N2 (RWF55 only)																
L = LonWorks (RWF55 only)																
N = Profinet (RWF55 only)																
P = Profibus (RWF55 only)																
X = No BMS Communication (RWF50... only)																
Panel NEMA Selection																
1 = NEMA 1 (Standard)																
2 = NEMA 12, includes cover over RWF																
4 = NEMA 4, includes cover over RWF																
Main 120 VAC Disconnect Switch																
X = No disconnect																
Y = Disconnect included																
Cooling Fan																
X = No cooling fan																
Y = Cooling fan included																
Warrick Manual/Auto Reset Relay																
X = No Warrick relay																
1 = One manual reset Warrick relay																
2 = One auto reset Warrick relay																
3 = One auto and one manual reset Warrick relays																

Specifications

		RWF50... Enclosure	RWF55... Enclosure
Physical Characteristics	Main power	110-240 VAC	110-240 VAC
	Frequency	60-50 Hz	60-50 Hz
	RWF Power	120VAC	120VAC
	Power Consumption RWF with 40 VA Transformer	≤ 56VA	≤ 60VA
	Power Consumption RWF without 40 VA Transformer	16VA	20VA
	Dry Contacts	1 Amps	2 Amps
Operating Environment	Operating Temperature	-4 to 122 °F [-20 to 50 °C]	-4 to 122 °F [-20 to 50 °C]
	Humidity	Max. 90%, No condensation	Max. 90%, No condensation
	NEMA Rating (Standard)	NEMA 1	NEMA 1
	NEMA Rating (Optional)	NEMA 12/4X	NEMA 12/4X

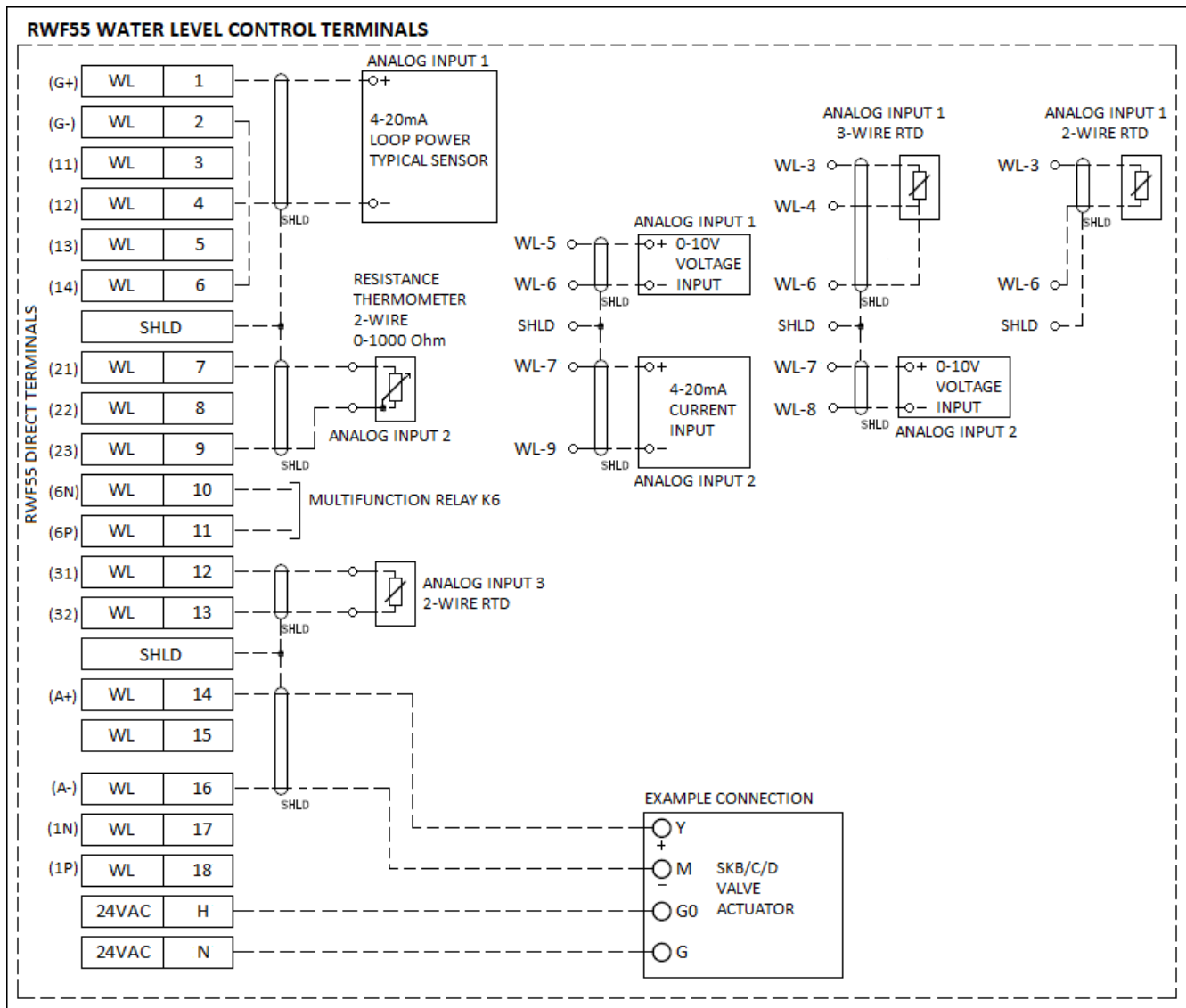
Connections

RWF55 for load control:



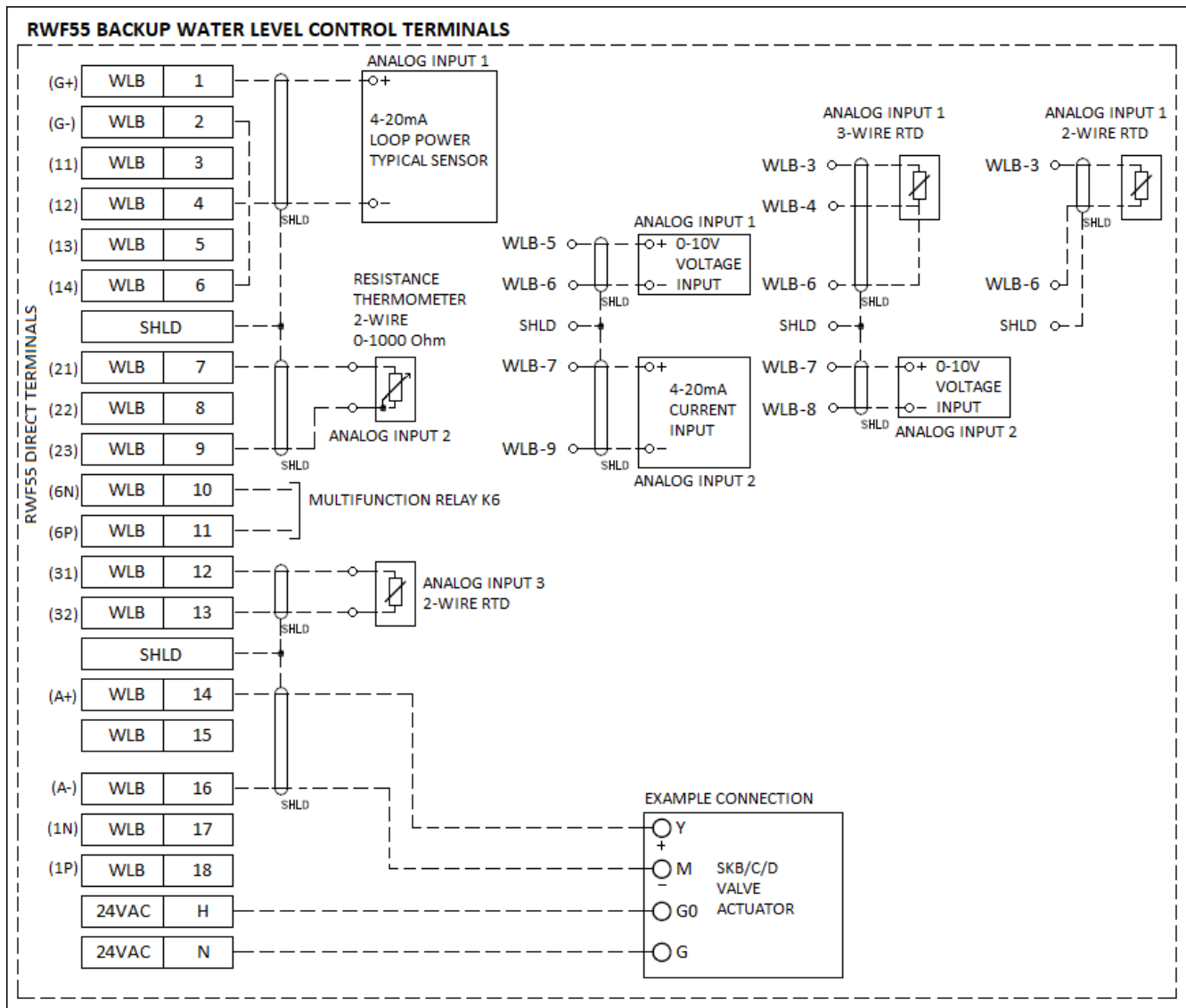
Connections (continued)

RWF55 for water level control:



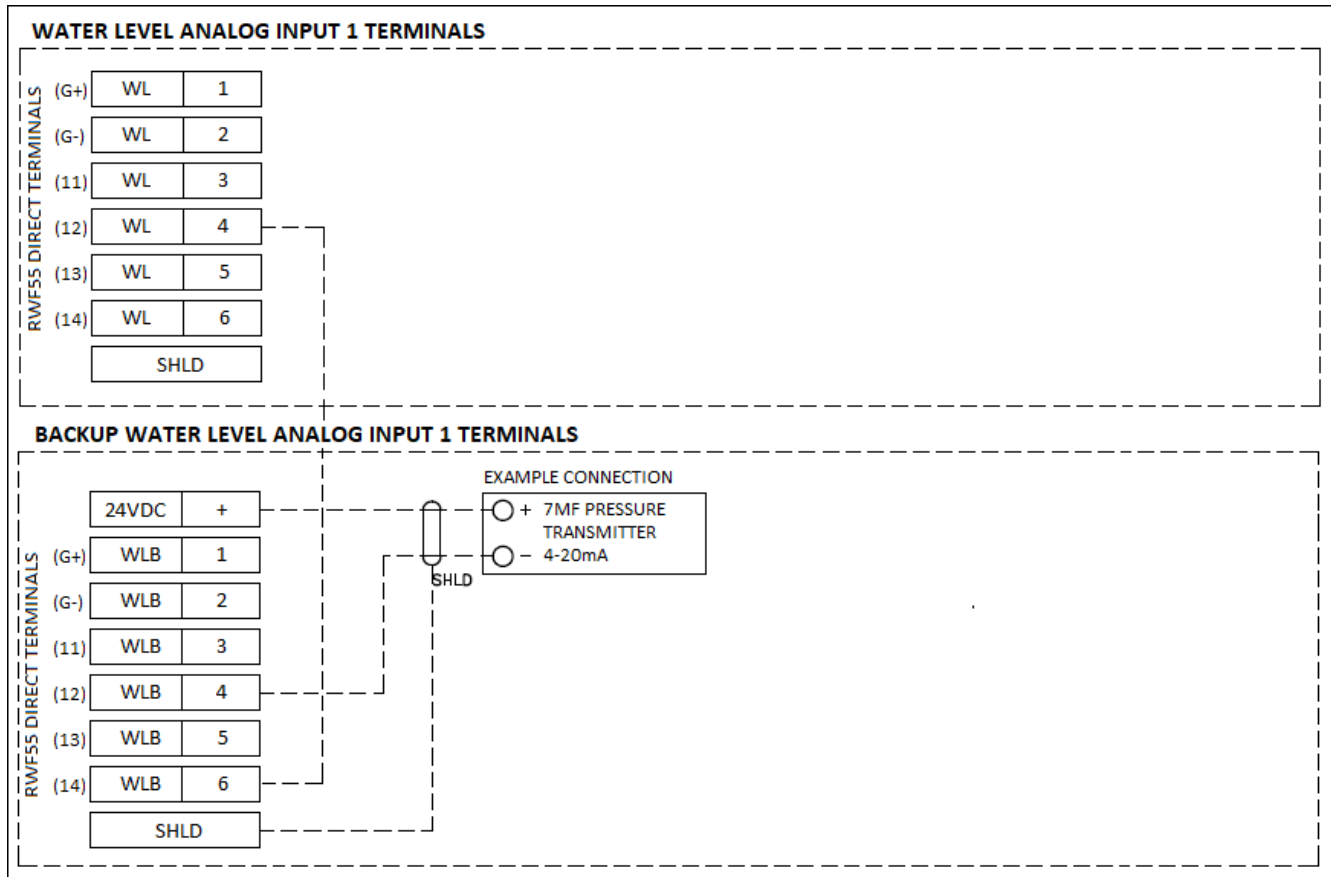
Connections (continued)

RWF55 for backup water level control:



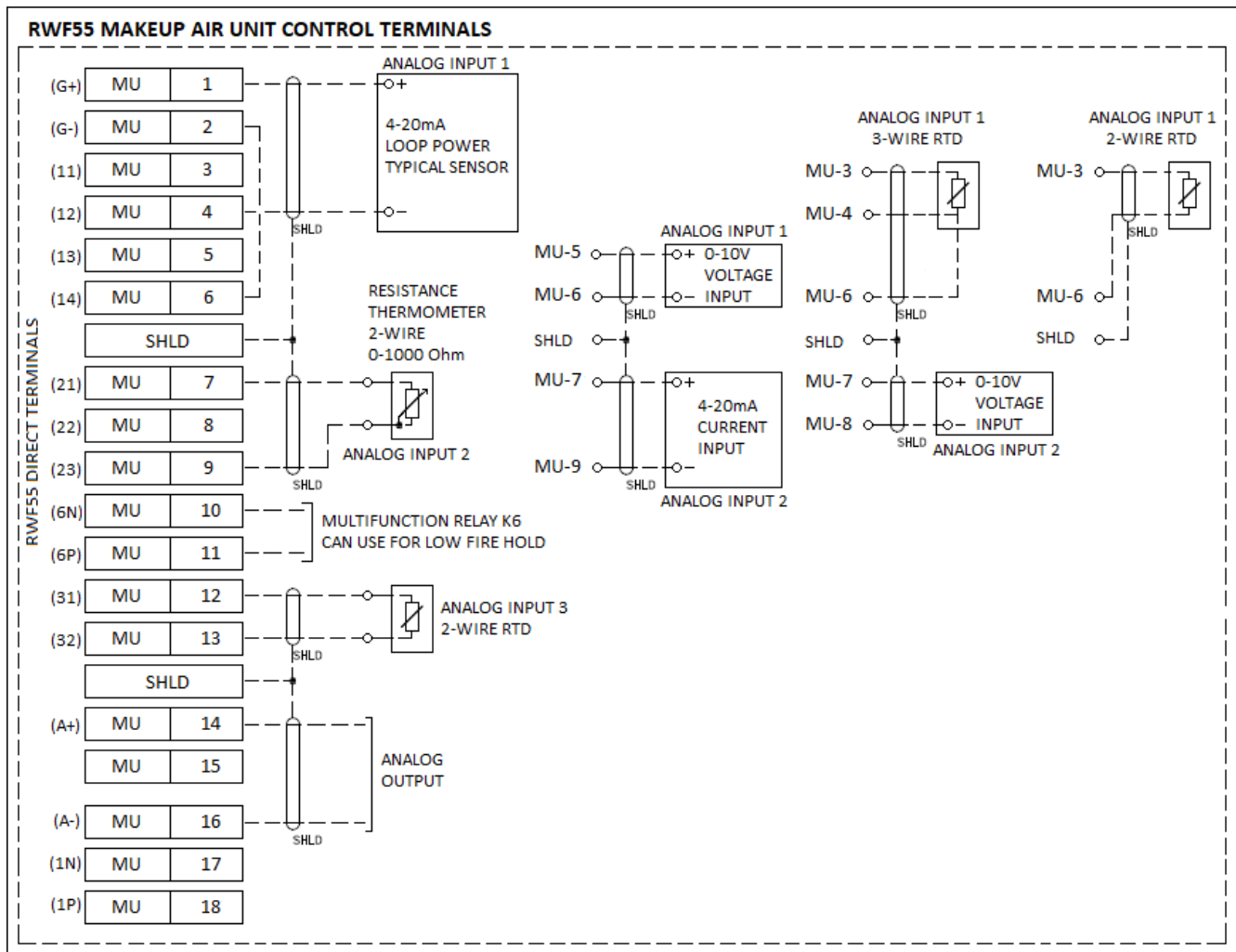
Connections (continued)

RWF55 differential pressure transmitter connections for water level and backup water level control:



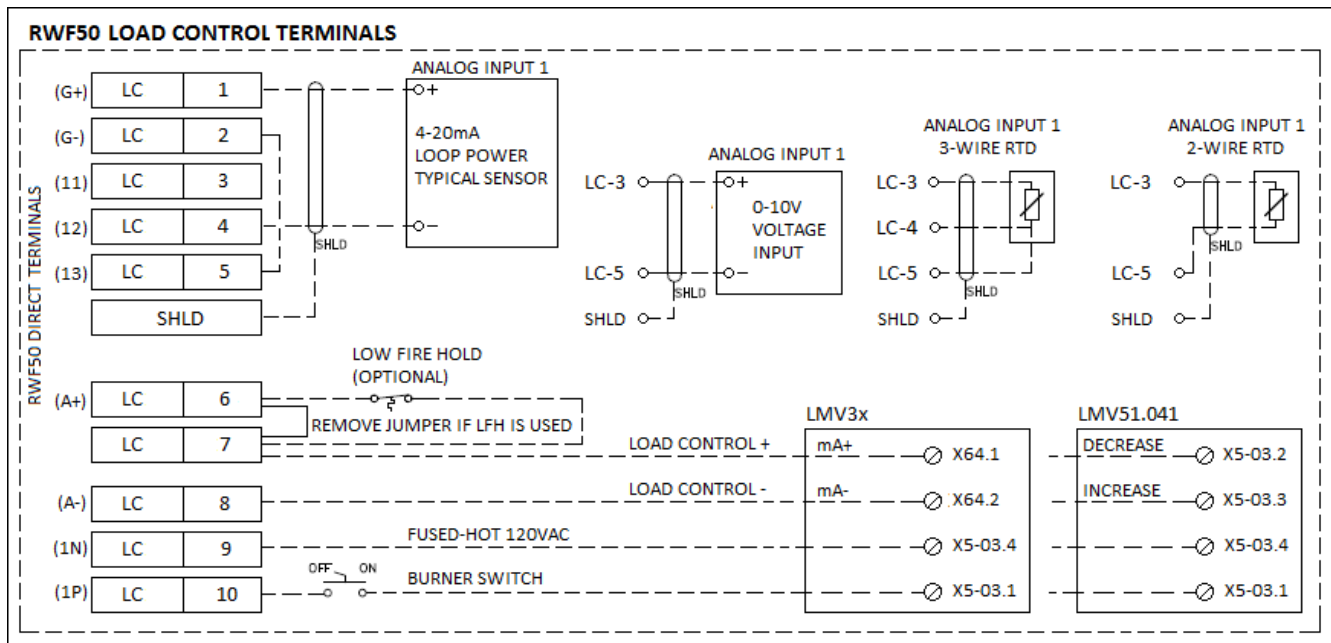
Connections (continued)

RWF55 for a makeup air unit:

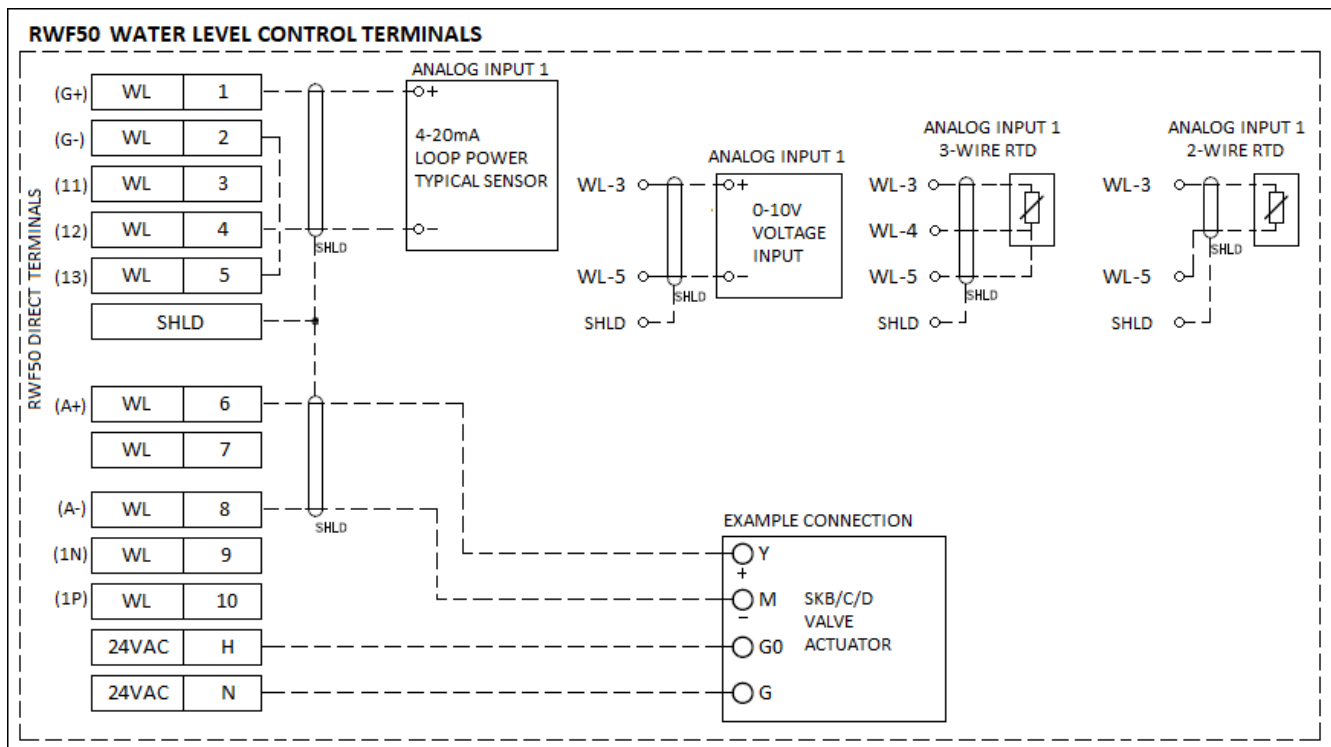


Connections (continued)

RWF50 for load control:

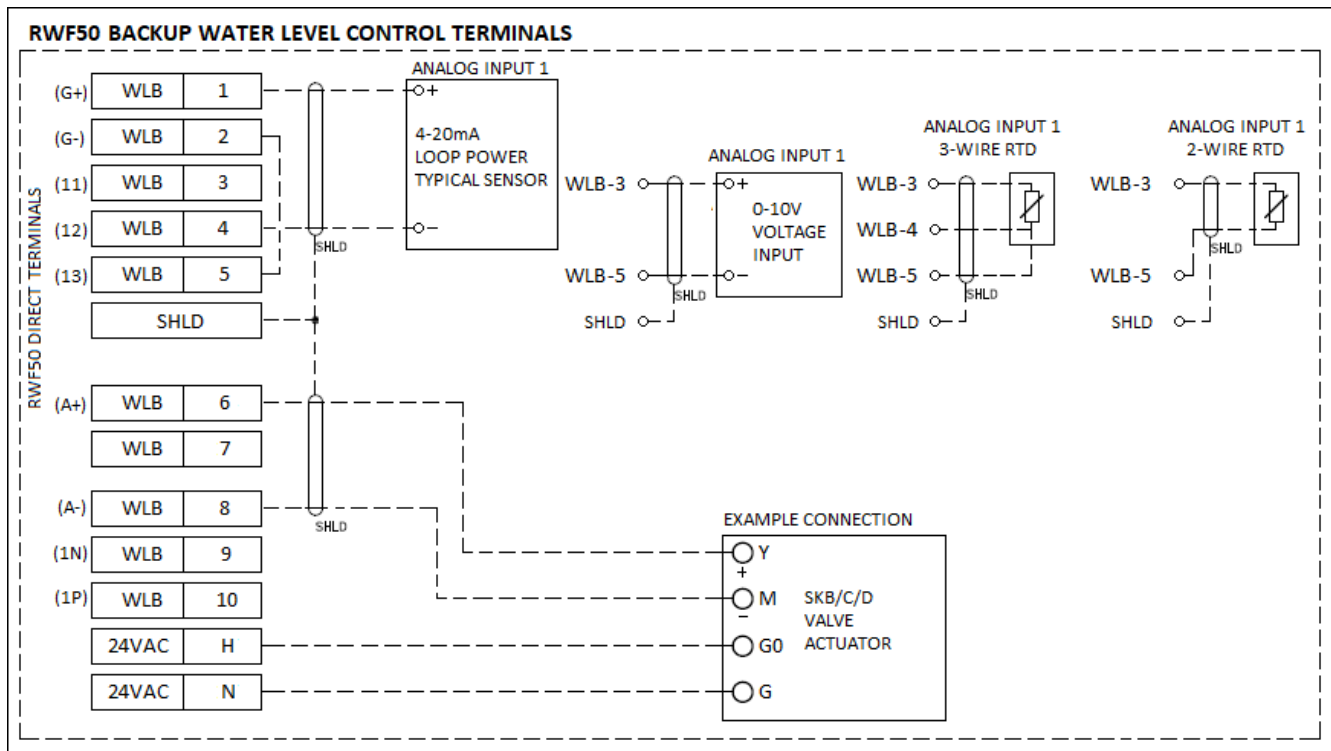


RWF50 for water level:

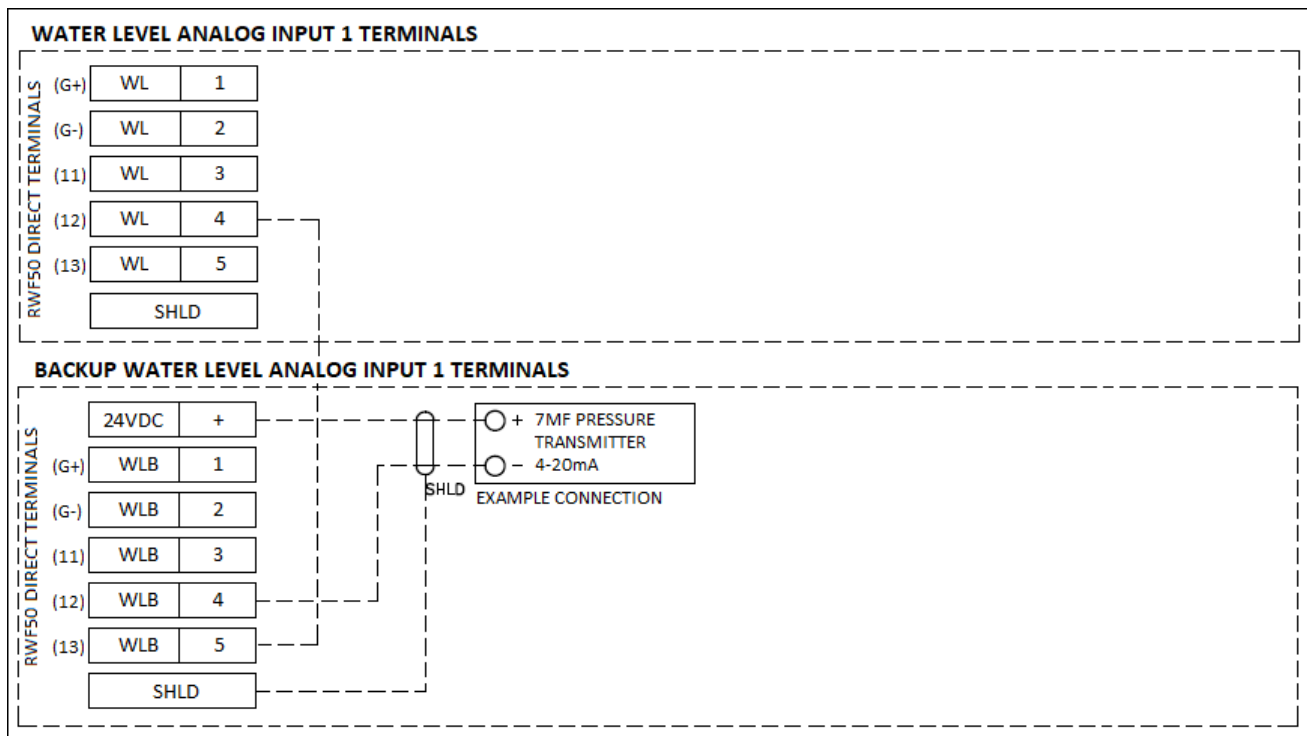


Connections (continued)

RWF50 for backup water level:

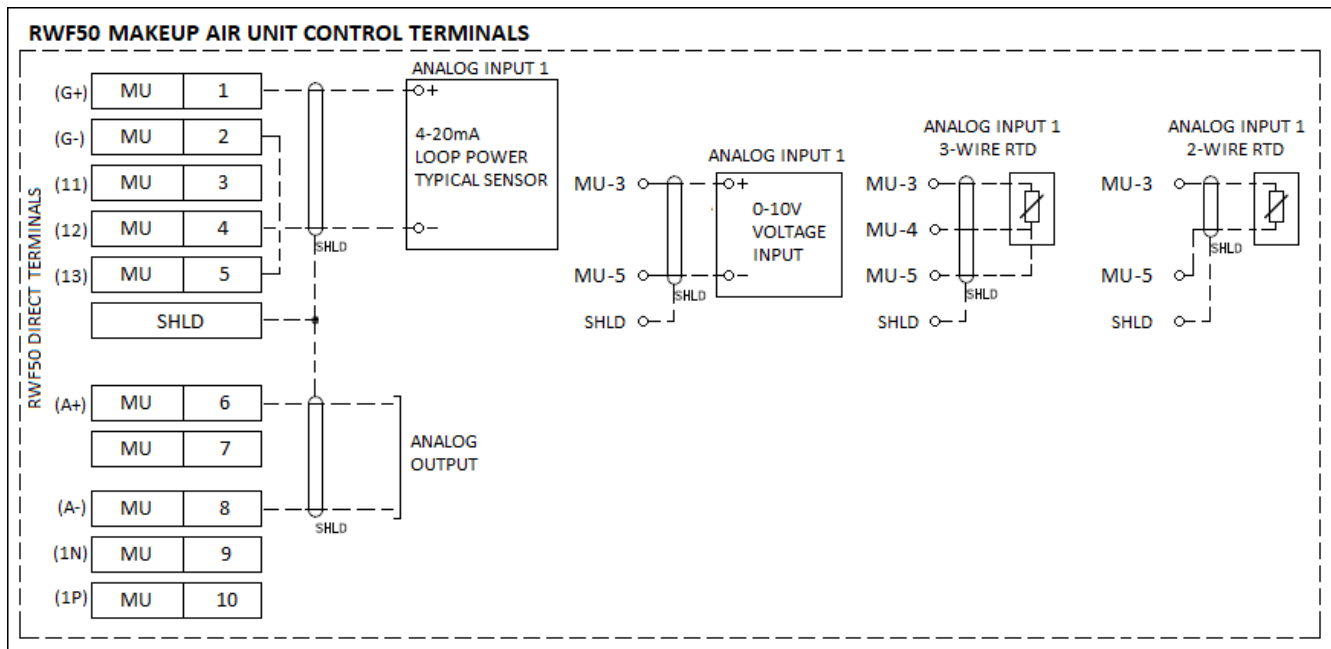


RWF50 differential pressure transmitter connections for water level and backup water level control:

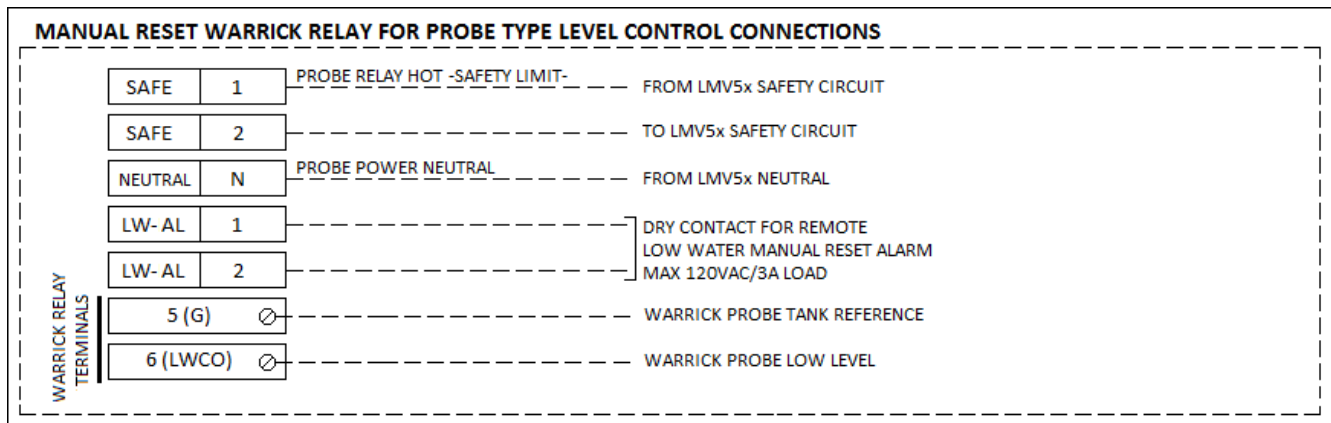


Connections (continued)

RWF50 as a makeup air unit:

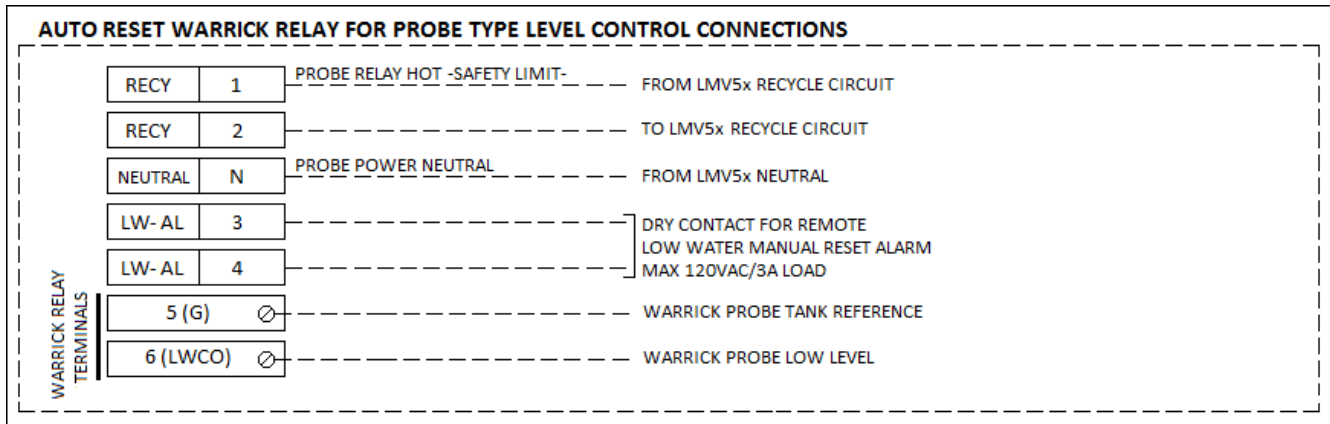


Manual reset for a Warrick relay used for low water cut off:



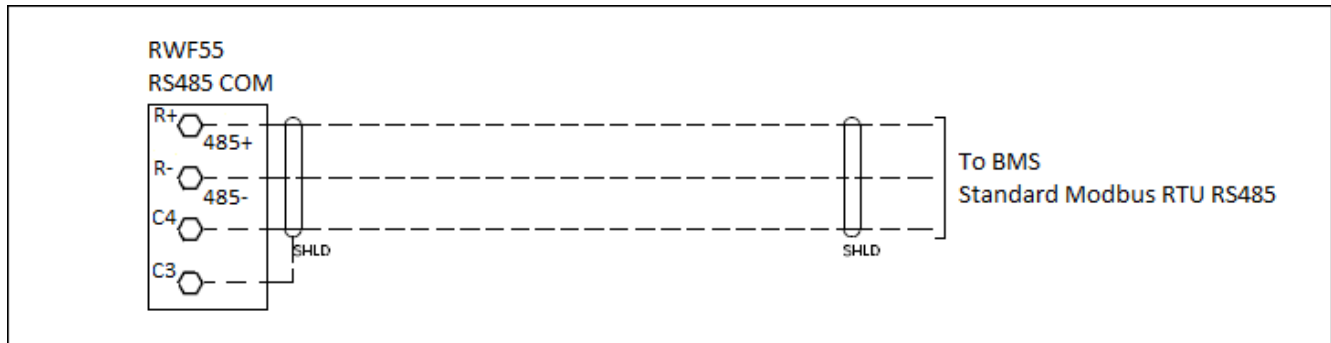
Connections (continued)

Automatic reset for a Warrick relay used for low water cut off:

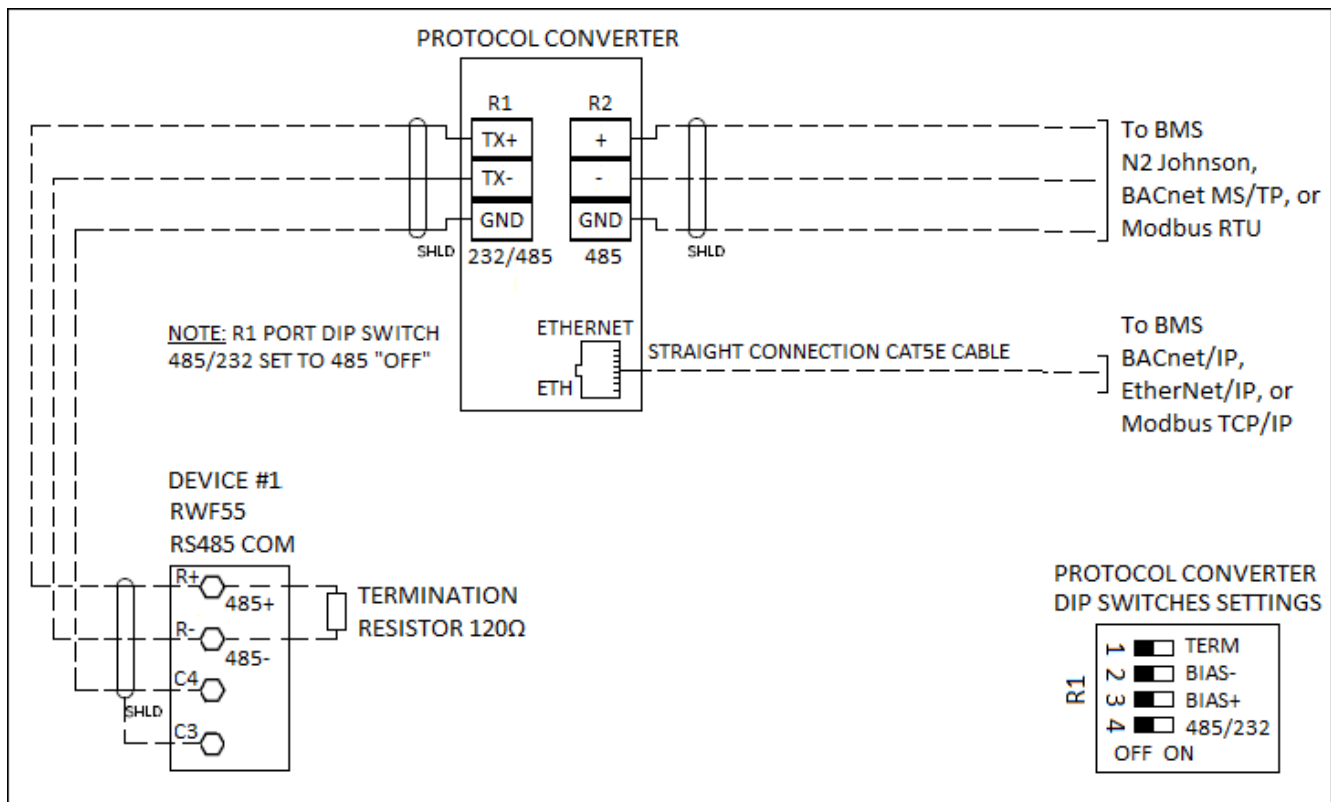


Connections (continued)

Standard modbus RTU RS-485:

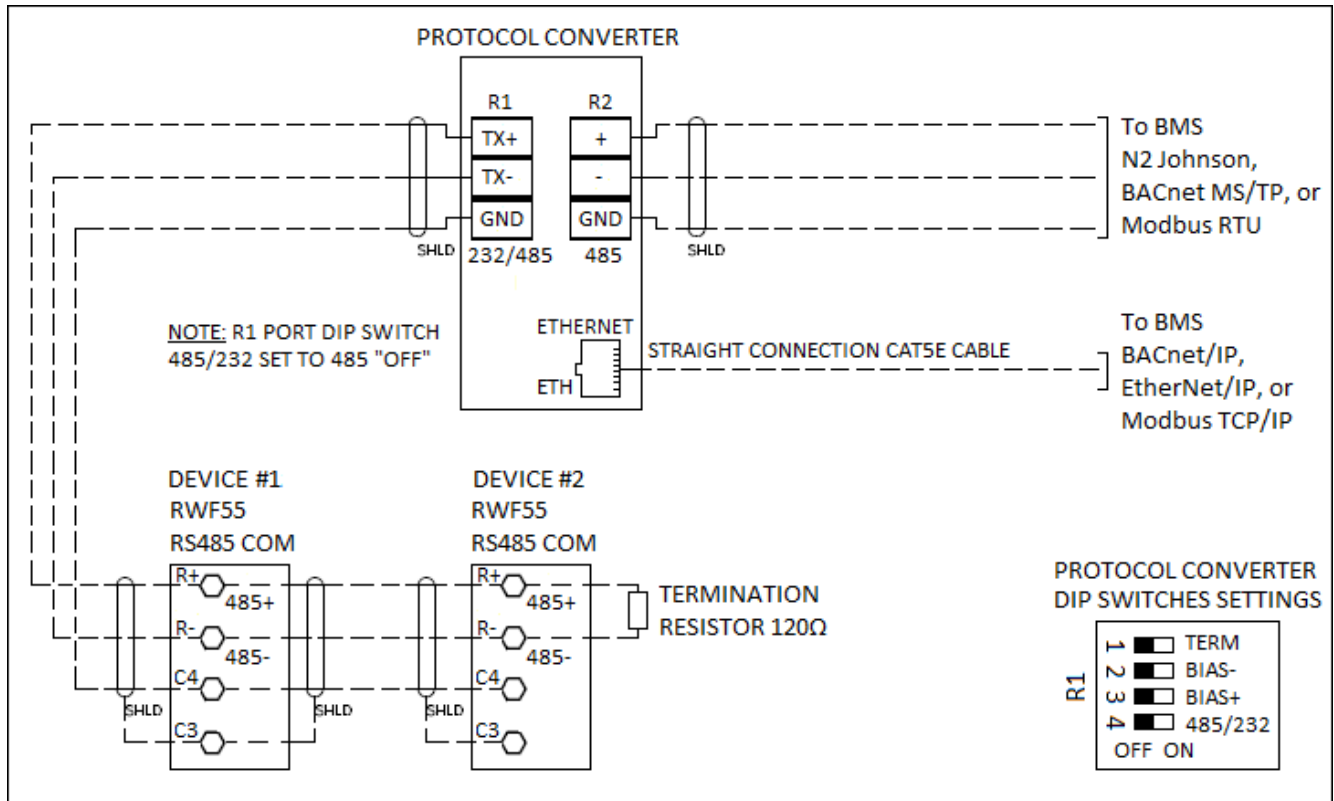


One RWF55 with ProtoAir (N2 Johnson, BACnet MS/TP, Modbus RTU, BACnet/IP, EtherNet/IP, or Modbus TCP/IP)



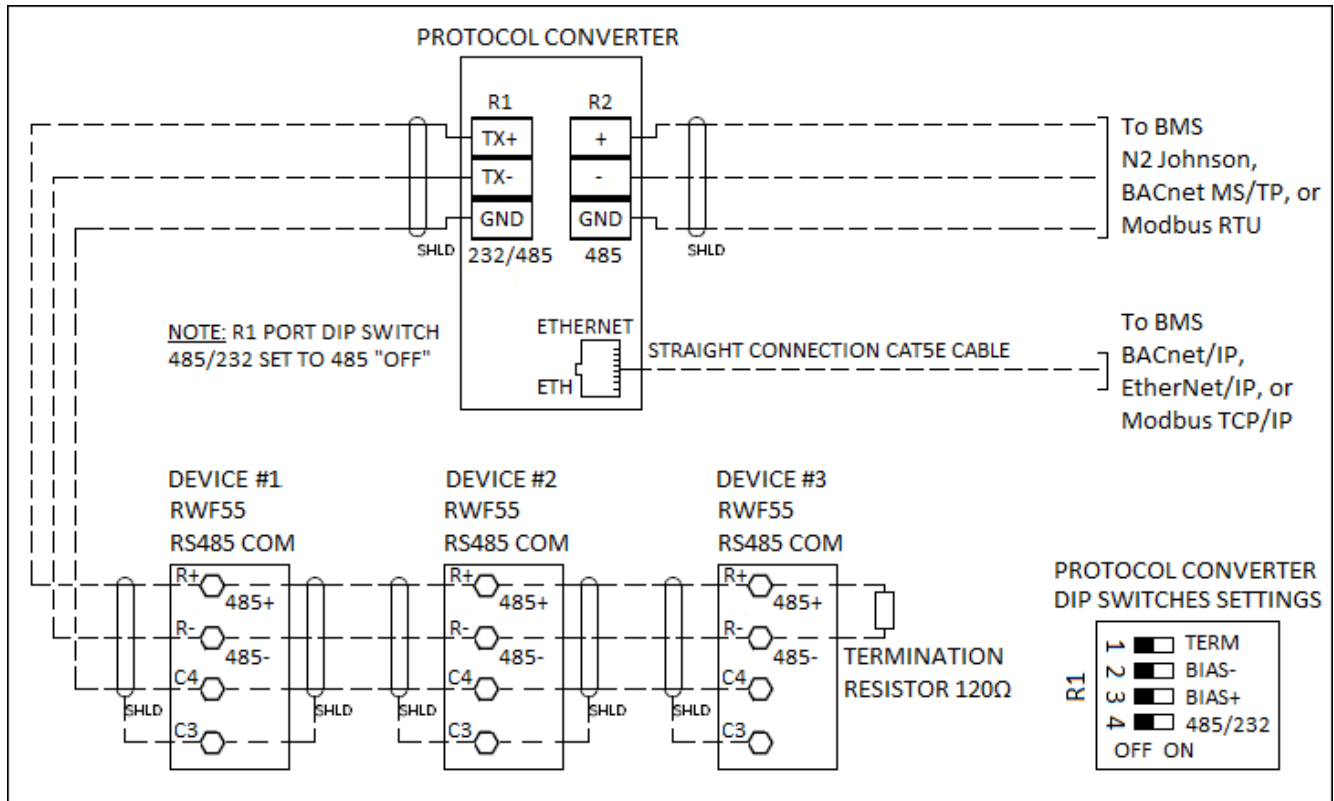
Connections (continued)

Two RWF55s with ProtoAir (N2 Johnson, BACnet MS/TP, Modbus RTU, BACnet/IP, EtherNet/IP, or Modbus TCP/IP)

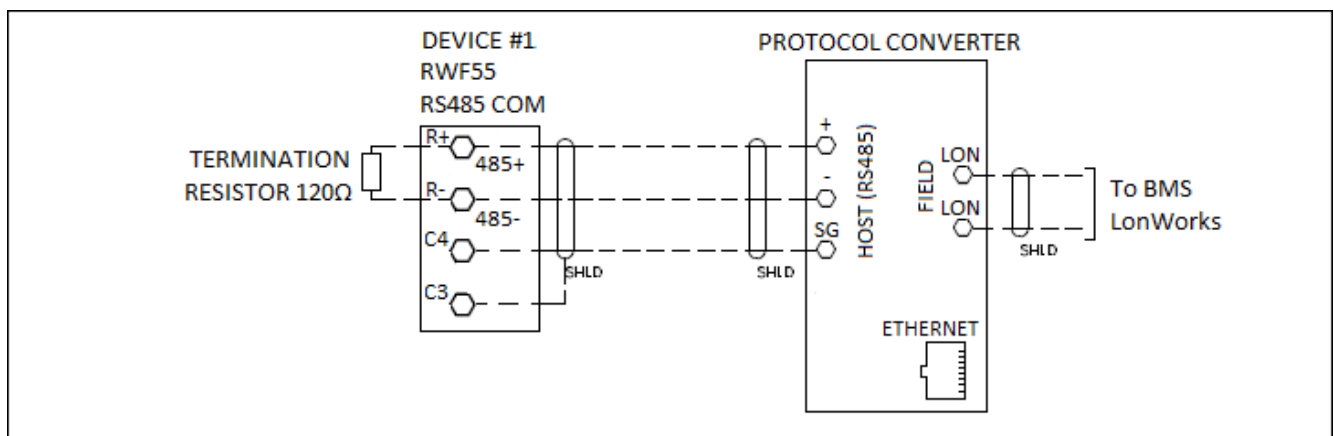


Connections (continued)

Three RWF55s with ProtoAir (N2 Johnson, BACnet MS/TP, Modbus RTU, BACnet/IP, EtherNet/IP, or Modbus TCP/IP)

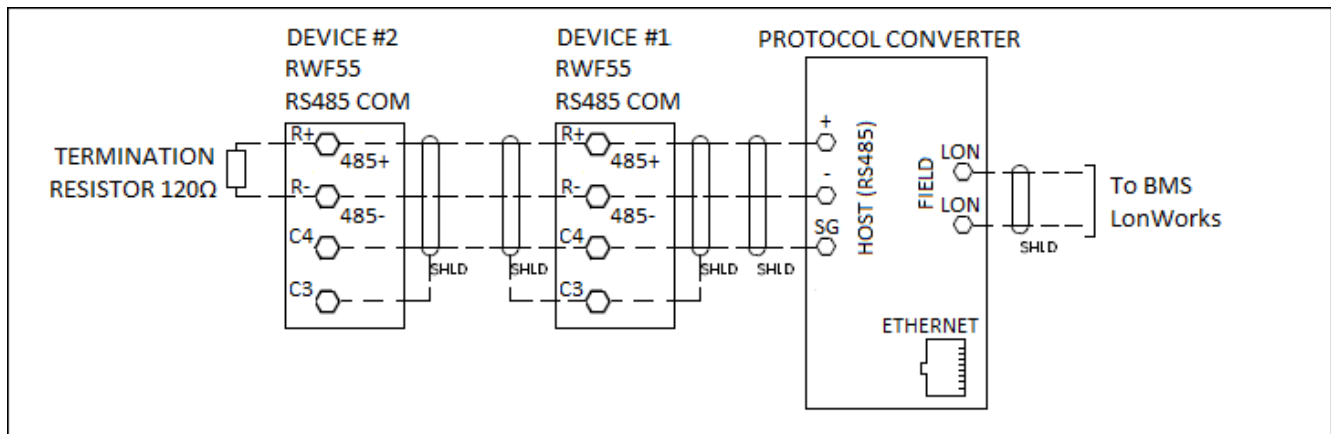


One RWF55 with ProtoNode (Lonworks)

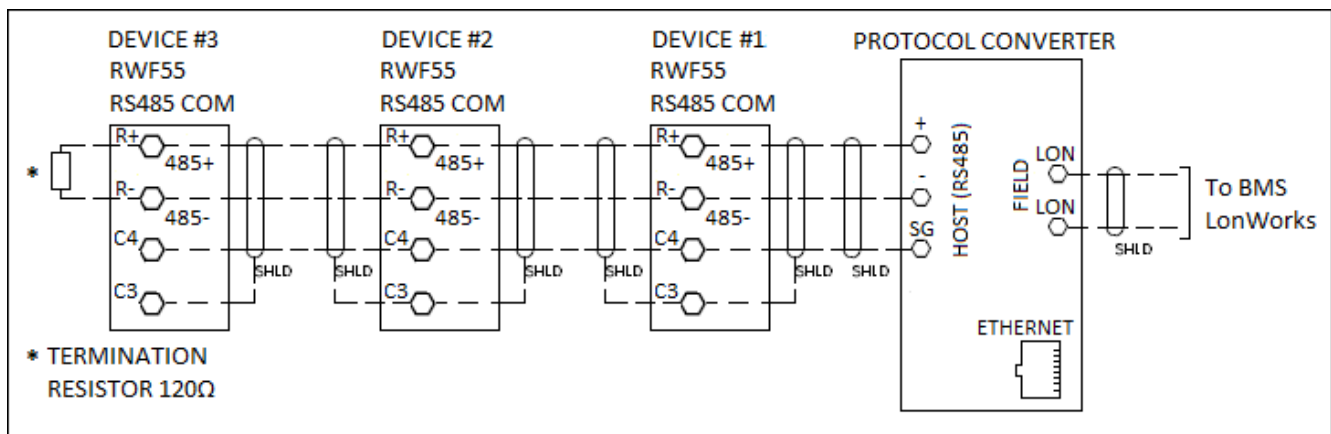


Connections (continued)

Two RWF55s with ProtoNode (Lonworks)



Three RWF55s with ProtoNode (Lonworks)



Parts Descriptions

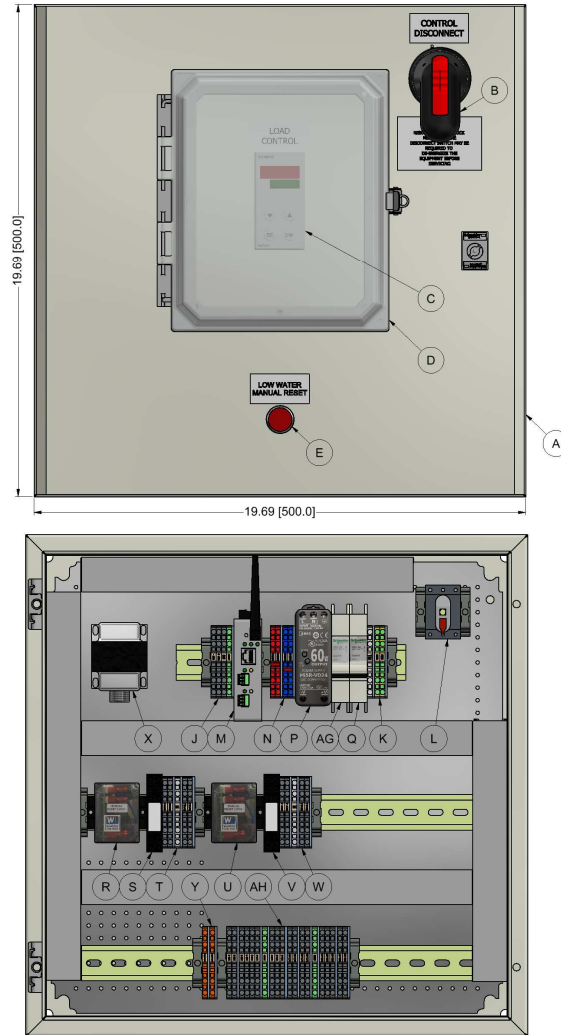
A	Enclosure	Standard Component
B	Disconnect Handle	Standard Component
C	RWF50/55	Standard Component
D	RWF50/55 Cover	NEMA 4/NEMA 12
E	Low Water Manual Reset Illuminated Push Button	Manual Reset Warrick Relay
F	Run Indicator Light	Operation and Alarm Indicator Lights
G	Alarm Indicator Light	Operation and Alarm Indicator Lights
H	Makeup Air Unit Control Selector Switch	Makeup Air Control – 2 Units with Selector Switch
J	Modbus RS232 and RS485 Terminals	Standard Component
K	Neutral and Ground Terminals	Standard Component
L	16 Amp Non-Fused Disconnect	Standard Component
M	Protocol Converter	BMS Communication Other than Modbus TCP/IP
N	24 VDC Terminals	BMS Communication Other than Modbus TCP/IP
P	24 VDC Power Supply	BMS Communication Other than Modbus TCP/IP
Q	3 Amp Power Supply Breaker	BMS Communication Other than Modbus TCP/IP
R	Manual Reset Warrick Relay	Manual Reset Warrick Relay
S	120VAC DPDT Relay	Manual Reset Warrick Relay
T	Manual Reset Warrick Relay Terminals	Manual Reset Warrick Relay
U	Automatic Reset Warrick Relay	Automatic Reset Warrick Relay
V	120VAC DPDT Relay	Automatic Reset Warrick Relay
W	Automatic Reset Warrick Relay Terminals	Automatic Reset Warrick Relay
X	24 VAC SKB/C or D Transformer	SKB/C or D Transformer

Y	24 VAC SKB/C or D Transformer Terminals	SKB/C or D Transformer
Z	24 VAC SKB/C or D Transformer	(2) SKB/C or D Transformers
AA	24 VAC SKB/C or D Transformer Terminals	(2) SKB/C or D Transformers
AB	120VAC DPDT Relays	Operation and Alarm Indicator Lights
AC	3 Amp Water Level Control Breaker	Water Level Control
AD	Water Level Control Terminals	Water Level Control
AE	3 Amp Backup Water Level Control Breaker	Backup Water Level Control
AF	Backup Water Level Control Terminals	Backup Water Level Control
AG	3 Amp Load Control Breaker	Load Control
AH	Load Control Terminals	Load Control
AJ	3 Amp Load Control Unit 2 Breaker	Load Control – 2 Units
AK	Load Control Unit 2 Terminals	Load Control – 2 Units
AL	3 Amp Load Control Unit 3 Breaker	Load Control – 3 Units
AM	Load Control Unit 3 Terminals	Load Control – 3 Units
AN	2 Amp Makeup Air Control Breaker	Makeup Air Control
AP	Makeup Air Control Terminals	Makeup Air Control
AQ	2 Amp Makeup Air Control Unit 2 Breaker	Makeup Air Control – 2 Units
AR	Makeup Air Control Unit 2 Terminals	Makeup Air Control – 2 Units
AS	Cooling Fan	Cooling Fan
AT	2A Cooling Fan Breaker	Cooling Fan
AU	Air Intake Filter	Cooling Fan
AV	Hose-Proof Hood	Cooling Fan/NEMA 12

Dimensions and Layout

Dimensions in inches; millimeters in brackets

One load controller



TS-R5LXX-1XB-4YX3

Options for Kit in Enclosure	*BMS Comm Other than Modbus RS485 (M, N, P, Q)	Manual Reset Warrick Relay (E, R, S, T)	Automatic Reset Warrick Relay (U, V, W)	SKB/C/D Power Transformer (X, Y)
TS-R5LXX-xXB-xYXx	X			
TS-R5LXX-xXx-xYX1		X		
TS-R5LXX-xXx-xYX2			X	
TS-R5LXX-1Xx-xYXx				X

Notes:

12"x12" Enclosure used with NEMA1 and (0-1) options

16"x16" Enclosure used with NEMA1 and (2-3) options or NEMA4/12 and (0-3) options

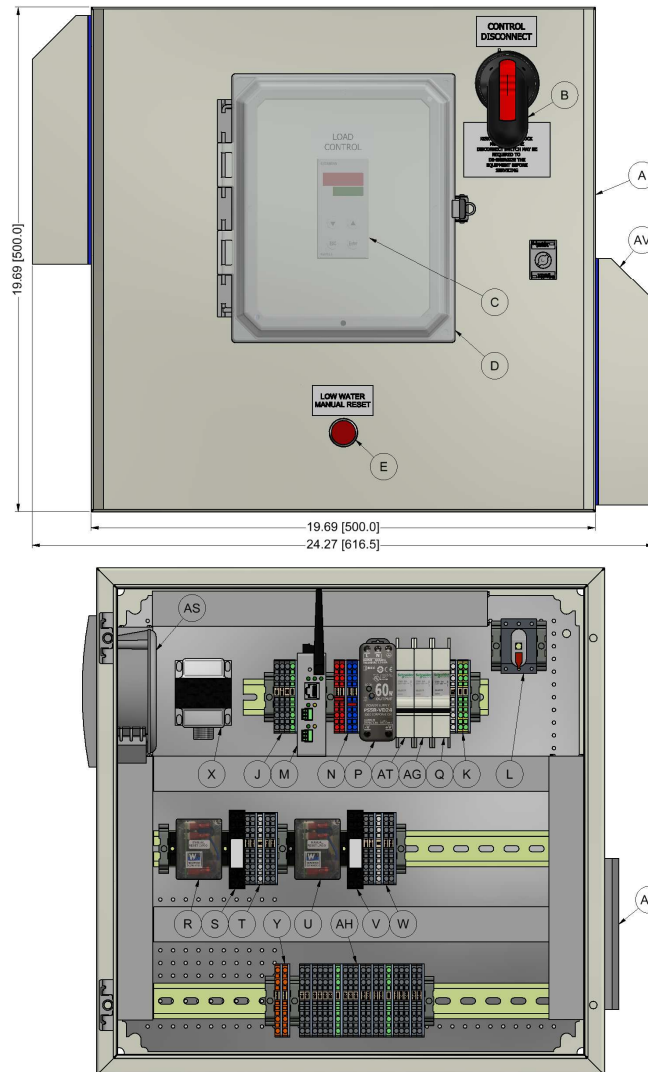
20"x20" Enclosure with (4) options

* Option not available in 12"x12" enclosure

Dimensions and Layout (continued)

Dimensions in inches; millimeters in brackets

One load controller with a cooling fan



TS-R5LXX-1XB-2YY3

Options for Kit in Enclosure	BMS Comm Other than Modbus RS485 (M, N, P, Q)	Manual Reset Warrick Relay (E, R, S, T)	Automatic Reset Warrick Relay (U, V, W)	SKB/C/D Power Transformer (X, Y)
TS-R5LXX-xXB-xYYx	X			
TS-R5LXX-xXx-xYY1		X		
TS-R5LXX-xXx-xYY2			X	
TS-R5LXX-1Xx-xYYx				X

Notes:

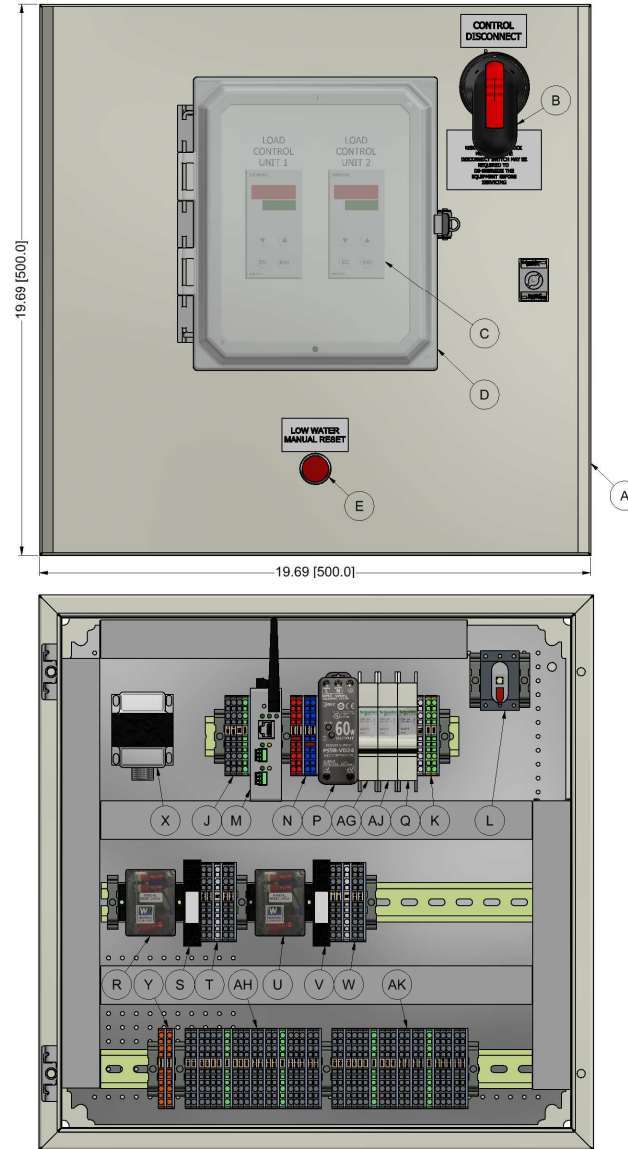
16"x16" Enclosure used with (0-2) options

20"x20" Enclosure used with (3-4) options

Dimensions and Layout (continued)

Dimensions in inches; millimeters in brackets

Two load controllers



TS-R52XX-1XB-4YX3

Options for Kit in Enclosure	BMS Comm Other than Modbus RS485 (M, N, P, Q)	Manual Reset Warrick Relay (E, R, S, T)	Automatic Reset Warrick Relay (U, V, W)	SKB/C/D Power Transformer (X, Y)
TS-R52XX-xXB-xYXx	X			
TS-R52XX-xXx-xYX1		X		
TS-R52XX-xXx-xYX2			X	
TS-R52XX-1Xx-xYXx				X

Notes:

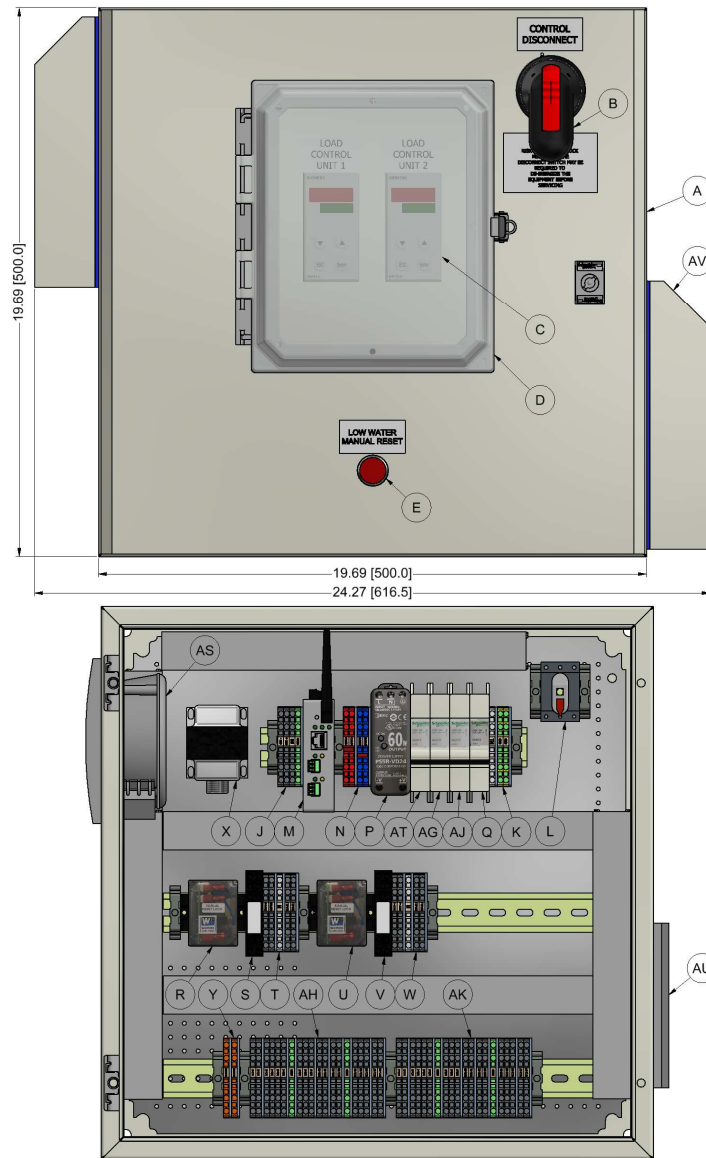
16"x16" Enclosure used with (0-1) options

20"x20" Enclosure used with (2-4) options

Dimensions and Layout (continued)

Dimensions in inches; millimeters in brackets

Two load controllers with a cooling fan



TS-R52XX-1XB-2YY3

Options for Kit in Enclosure	BMS Comm Other than Modbus RS485 (M, N, P, Q)	Manual Reset Warrick Relay (E, R, S, T)	Automatic Reset Warrick Relay (U, V, W)	SKB/C/D Power Transformer (X, Y)
TS-R52XX-xXB-xYYx	X			
TS-R52XX-xXx-xYY1		X		
TS-R52XX-xXx-xYY2			X	
TS-R52XX-1Xx-xYYx				X

Notes:

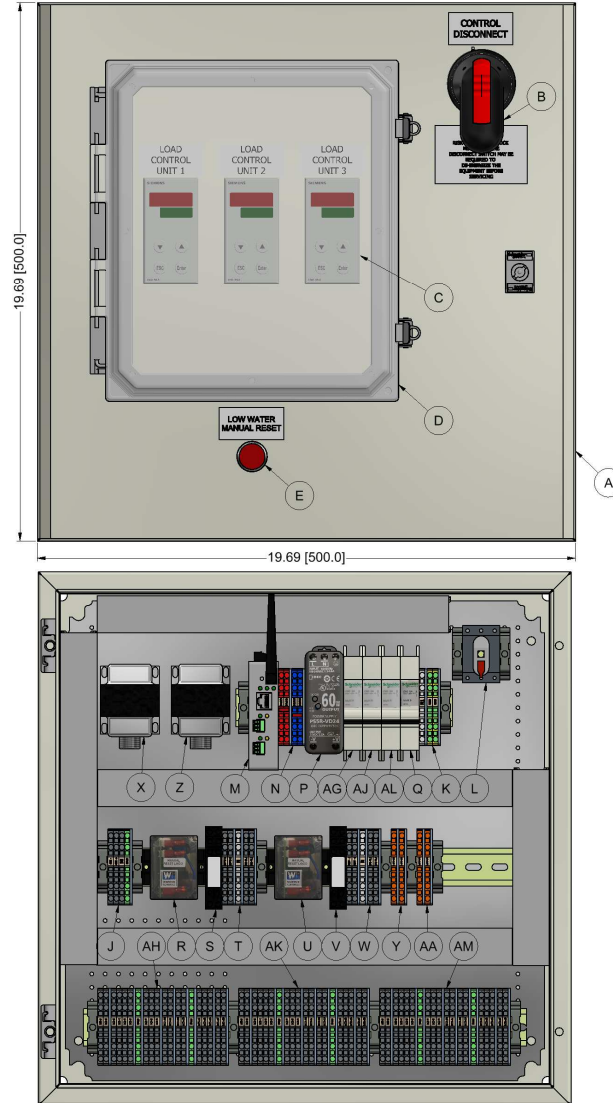
16"x16" Enclosure used with (0-1) options

20"x20" Enclosure used with (2-4) options

Dimensions and Layout (continued)

Dimensions in inches; millimeters in brackets

Three load controllers



TS-R53XX-2XB-4YX3

Options for Kit in Enclosure	BMS Comm Other than Modbus RS485 (M, N, P, Q)	Manual Reset Warrick Relay (E, R, S, T)	Automatic Reset Warrick Relay (U, V, W)	SKB/C/D Power Transformer (X, Y)	(2) SKB/C/D Power Transformers (Z, AA)
TS-R53XX-xXB-xYXx	X				
TS-R53XX-xXx-xYX1		X			
TS-R53XX-xXx-xYX2			X		
TS-R53XX-1Xx-xYXx				X	
TS-R53XX-2Xx-xYXx					X

Notes:

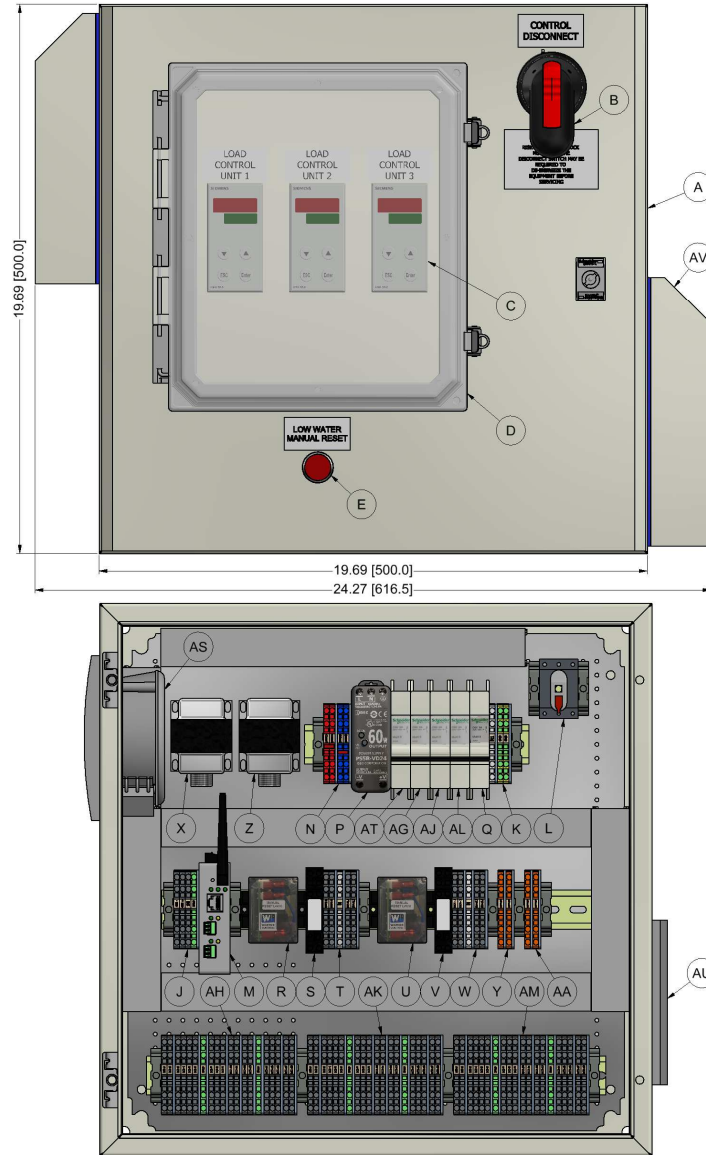
16"x16" Enclosure used with NEMA1 and (0) options

20"x20" Enclosure used with NEMA1 and (1-5) options or NEMA4/12 and (0-5) options

Dimensions and Layout (continued)

Dimensions in inches; millimeters in brackets

Three load controllers with a cooling fan



TS-R53XX-2XB-2YY3

Options for Kit in Enclosure	BMS Comm Other than Modbus RS485 (M, N, P, Q)	Manual Reset Warrick Relay (E, R, S, T)	Automatic Reset Warrick Relay (U, V, W)	SKB/C/D Power Transformer (X, Y)	(2) SKB/C/D Power Transformers (Z, AA)
TS-R53XX-xXB-xYYx	X				
TS-R53XX-xXx-xYY1		X			
TS-R53XX-xXx-xYY2			X		
TS-R53XX-1Xx-xYYx				X	
TS-R53XX-2Xx-xYYx					X

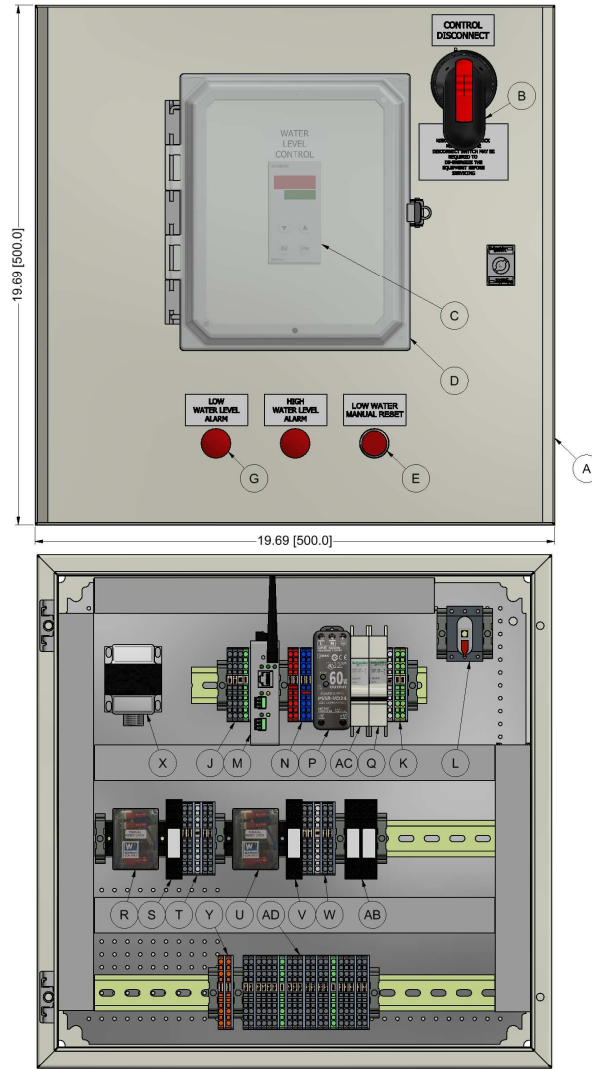
Notes:

20"x20" Enclosure used with (0-5) options

Dimensions and Layout (continued)

Dimensions in inches; millimeters in brackets

Water Level Control



TS-R5XWX-1YB-4YX3

Options for Kit in Enclosure	*BMS Comm Other than Modbus RS485 (M, N, P, Q)	Manual Reset Warrick Relay (E, R, S, T)	Automatic Reset Warrick Relay (U, V, W)	SKB/C/D Power Transformer (X, Y)
TS-R5XWX-xYB-xYXx	X			
TS-R5XWX-xYx-xYX1		X		
TS-R5XWX-xYx-xYX2			X	
TS-R5XWX-1Yx-xYXx				X

Notes:

12"x12" Enclosure used with NEMA1 and (0-1) options

16"x16" Enclosure used with NEMA1 and (2-3) options or NEMA4/12 and (0-3) options

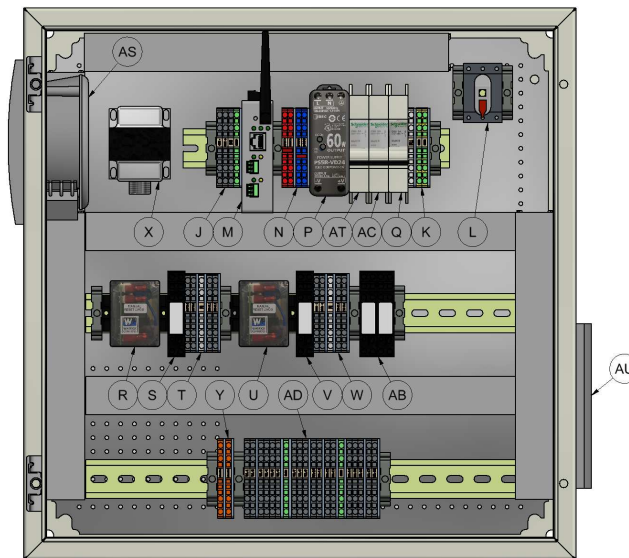
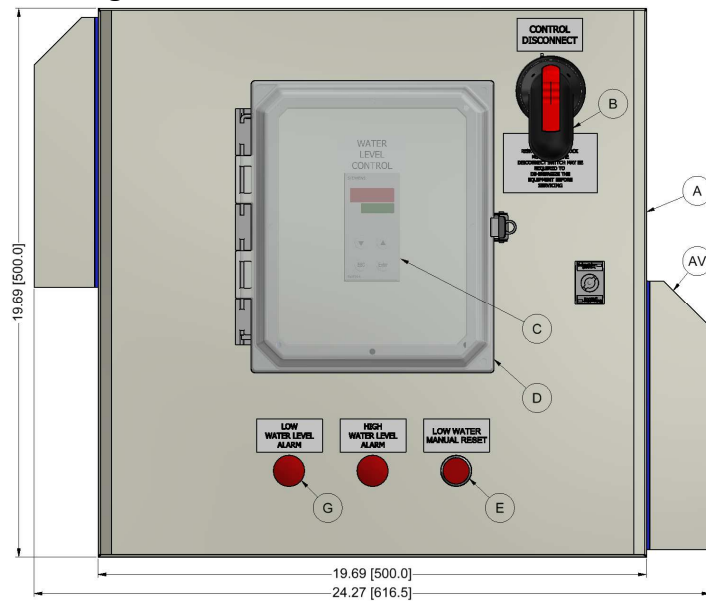
20"x20" Enclosure with (4) options

* Option not available in 12"x12" enclosure

Dimensions and Layout (continued)

Dimensions in inches; millimeters in brackets

Water Level Control with Cooling Fan



TS-R5XWX-1YB-2YY3

Options for Kit in Enclosure	BMS Comm Other than Modbus RS485 (M, N, P, Q)	Manual Reset Warrick Relay (E, R, S, T)	Automatic Reset Warrick Relay (U, V, W)	SKB/C/D Power Transformer (X, Y)
TS-R5XWX-xYB-xYYx	X			
TS-R5XWX-xYx-xYY1		X		
TS-R5XWX-xYx-xYY2			X	
TS-R5XWX-1Yx-xYYx				X

Notes:

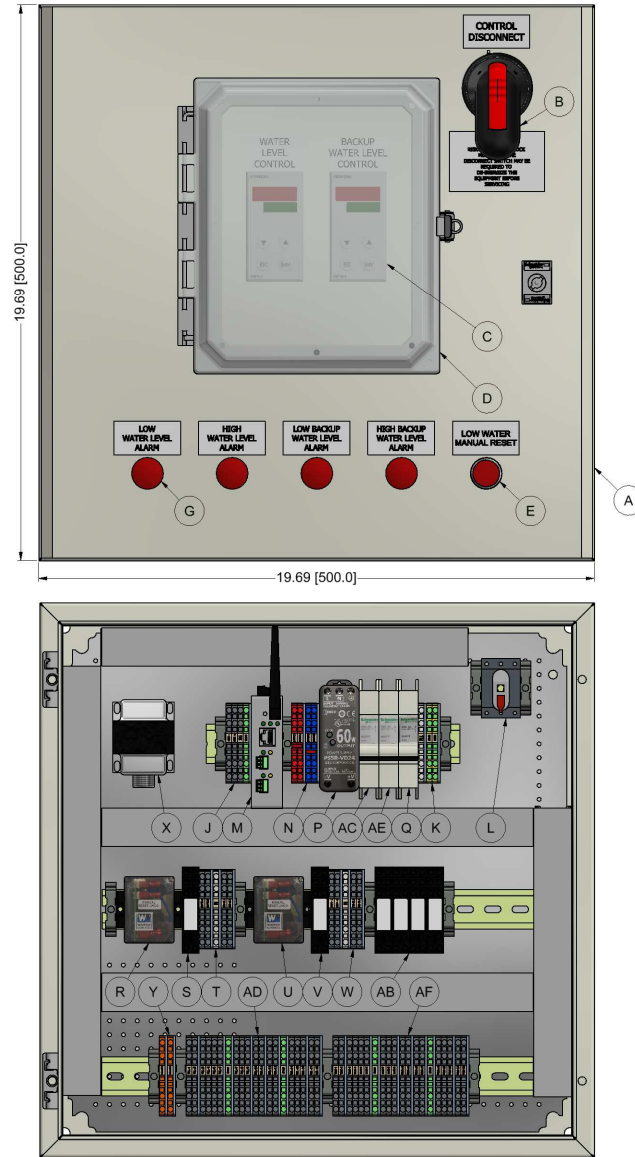
16"x16" Enclosure used with (0-2) options

20"x20" Enclosure used with (3-4) options

Dimensions and Layout (continued)

Dimensions in inches; millimeters in brackets

Water Level Control and Backup



TS-R5XBX-1YB-4YX3

Options for Kit in Enclosure	BMS Comm Other than Modbus RS485 (M, N, P, Q)	Manual Reset Warrick Relay (E, R, S, T)	Automatic Reset Warrick Relay (U, V, W)	SKB/C/D Power Transformer (X, Y)
TS-R5XBX-xYB-xYXx	X			
TS-R5XBX-xYx-xYX1		X		
TS-R5XBX-xYx-xYX2			X	
TS-R5XBX-1Yx-xYXx				X

Notes:

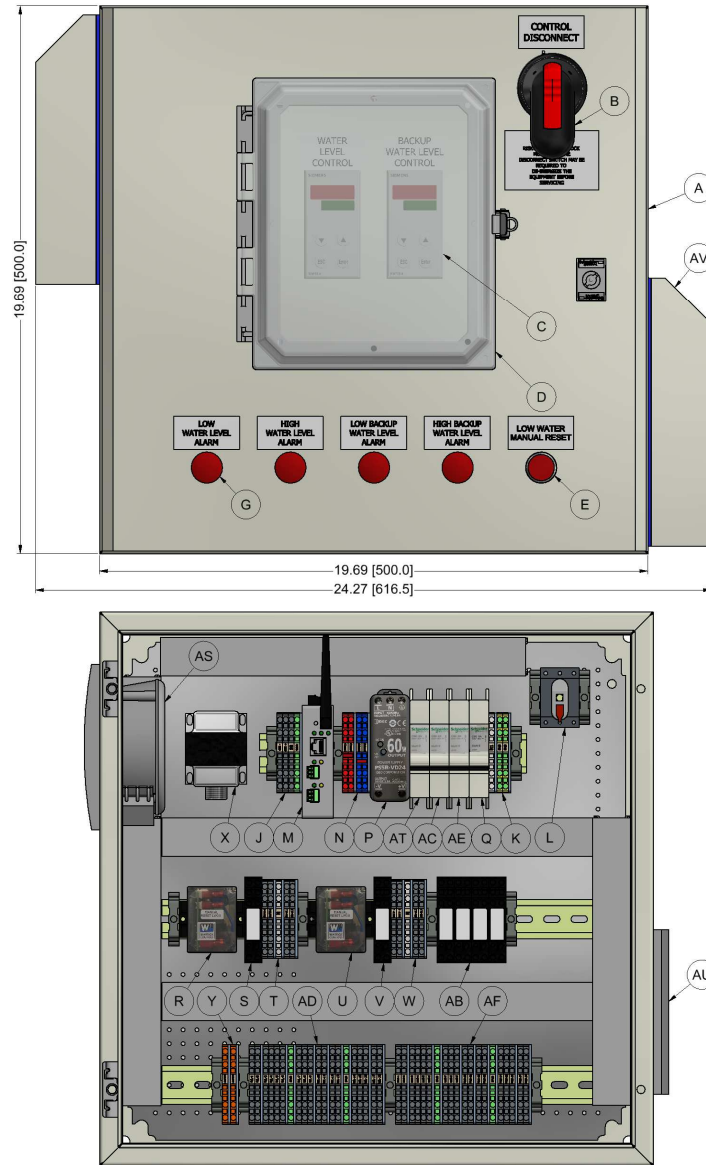
16" x 16" Enclosure used with (0-1) options

20" x 20" Enclosure used with (2-4) options

Dimensions and Layout (continued)

Dimensions in inches; millimeters in brackets

Water Level Control and Backup with Cooling Fan



TS-R5XBX-1YB-2YY3

Options for Kit in Enclosure	BMS Comm Other than Modbus RS485 (M, N, P, Q)	Manual Reset Warrick Relay (E, R, S, T)	Automatic Reset Warrick Relay (U, V, W)	SKB/C/D Power Transformer (X, Y)
TS-R5XBX-xYB-xYYx	X			
TS-R5XBX-xYx-xYY1		X		
TS-R5XBX-xYx-xYY2			X	
TS-R5XBX-1Yx-xYYx				X

Notes:

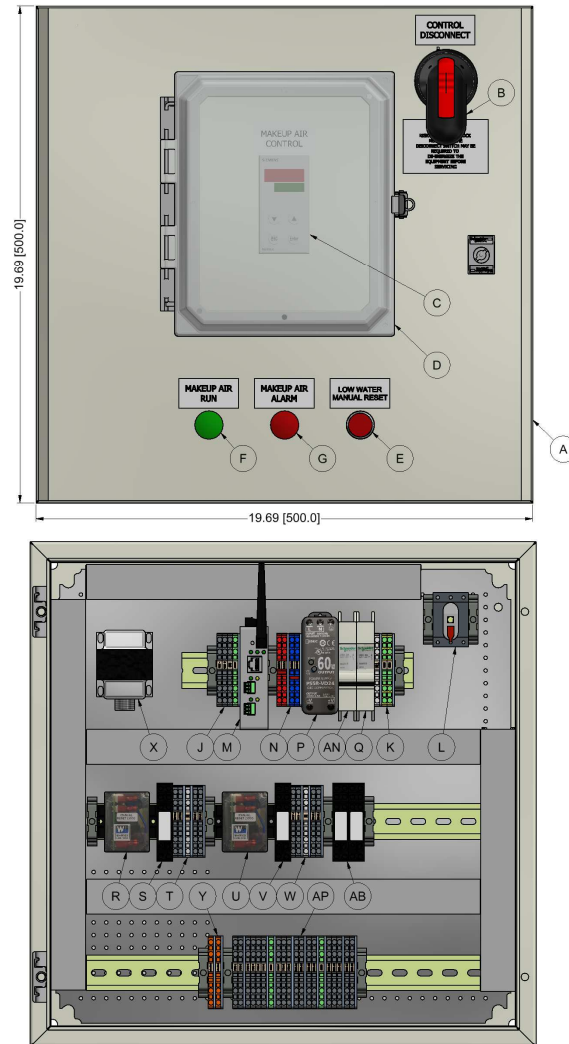
16"x16" Enclosure used with (0-1) options

20"x20" Enclosure used with (2-4) options

Dimensions and Layout (continued)

Dimensions in inches; millimeters in brackets

Makeup Air Control



TS-R5XXM-1YB-4YX3

Options for Kit in Enclosure	*BMS Comm Other than Modbus RS485 (M, N, P, Q)	Manual Reset Warrick Relay (E, R, S, T)	Automatic Reset Warrick Relay (U, V, W)	SKB/C/D Power Transformer (X, Y)
TS-R5XXM-xYB-xYXx	X			
TS-R5XXM-xYx-xYX1		X		
TS-R5XXM-xYx-xYX2			X	
TS-R5XXM-1Yx-xYXx				X

Notes:

12"x12" Enclosure used with NEMA1 and (0-1) options

16"x16" Enclosure used with NEMA1 and (2-3) options or NEMA4/12 and (0-3) options

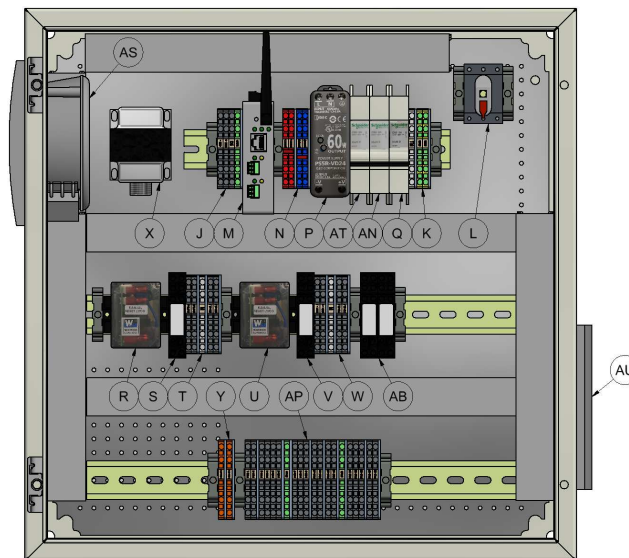
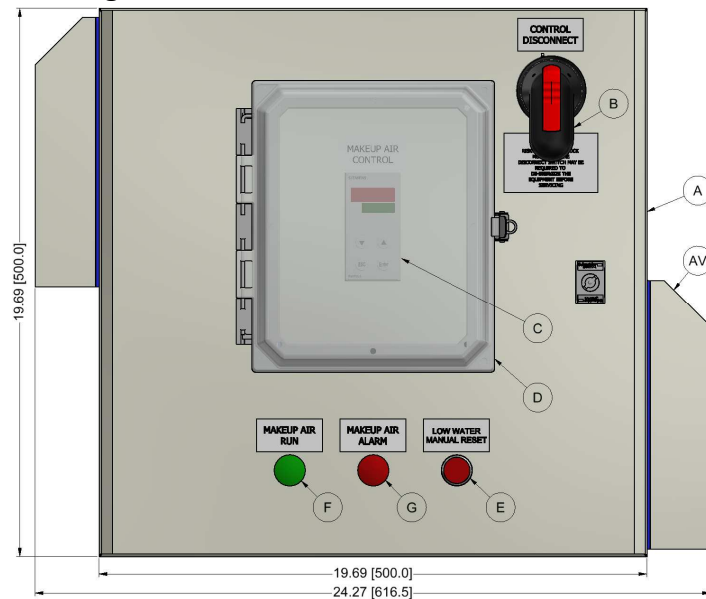
20"x20" Enclosure with (4) options

* Option not available in 12"x12" enclosure

Dimensions and Layout (continued)

Dimensions in inches; millimeters in brackets

Makeup Air Control with Cooling Fan



TS-R5XXM-1YB-2YY3

Options for Kit in Enclosure	BMS Comm Other than Modbus RS485 (M, N, P, Q)	Manual Reset Warrick Relay (E, R, S, T)	Automatic Reset Warrick Relay (U, V, W)	SKB/C/D Power Transformer (X, Y)
TS-R5XXM-xYB-xYYx	X			
TS-R5XXM-xYx-xYY1		X		
TS-R5XXM-xYx-xYY2			X	
TS-R5XXM-1Yx-xYYx				X

Notes

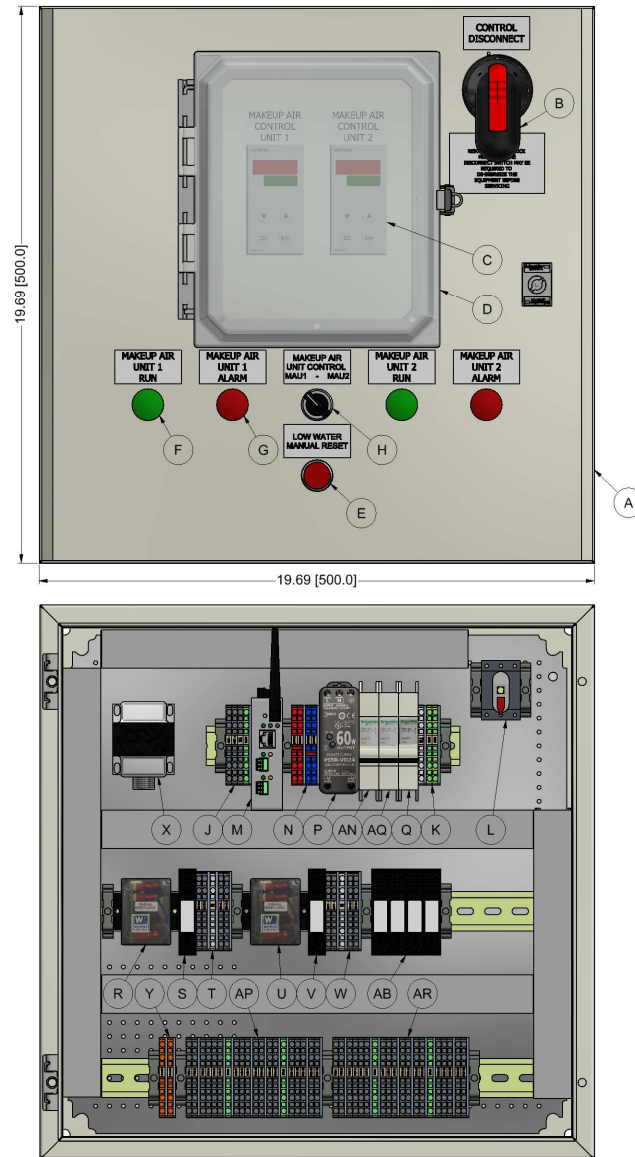
16"x16" Enclosure used with (0-2) options

20"x20" Enclosure used with (3-4) options

Dimensions and Layout (continued)

Dimensions in inches; millimeters in brackets

Makeup Air Control – Two Units



TS-R5XXS-1YB-4YX3

Options for Kit in Enclosure	BMS Comm Other than Modbus RS485 (M, N, P, Q)	Manual Reset Warrick Relay (E, R, S, T)	Automatic Reset Warrick Relay (U, V, W)	SKB/C/D Power Transformer (X, Y)
TS-R5XXS-xYB-xYXx	X			
TS-R5XXS-xYx-xYX1		X		
TS-R5XXS-xYx-xYX2			X	
TS-R5XXS-1Yx-xYXx				X

Notes:

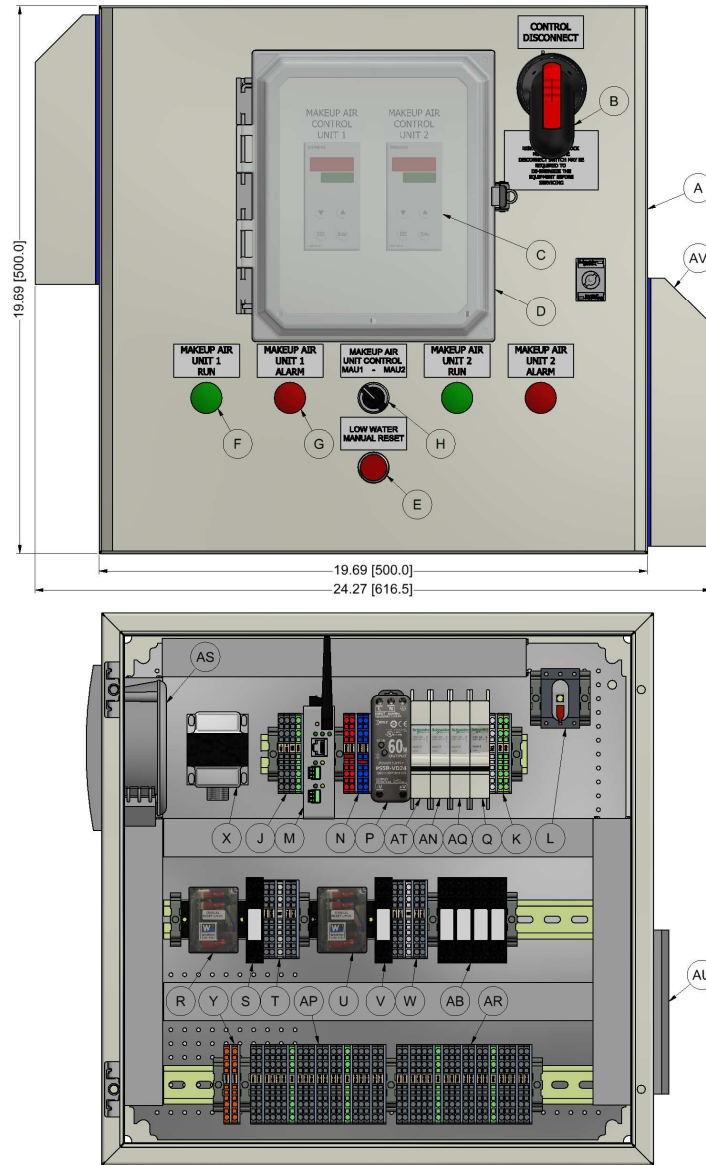
16" x 16" Enclosure used with (0-1) options

20" x 20" Enclosure used with (2-4) options

Dimensions and Layout (continued)

Dimensions in inches; millimeters in brackets

Makeup Air Control – Two Units with Cooling Fan



TS-R5XXS-1YB-2YY3

Options for Kit in Enclosure	BMS Comm Other than Modbus RS485 (M, N, P, Q)	Manual Reset Warrick Relay (E, R, S, T)	Automatic Reset Warrick Relay (U, V, W)	SKB/C/D Power Transformer (X, Y)
TS-R5XXS-xYB-xYYx	X			
TS-R5XXS-xYx-xYY1		X		
TS-R5XXS-xYx-xYY2			X	
TS-R5XXS-1Yx-xYYx				X

Notes:

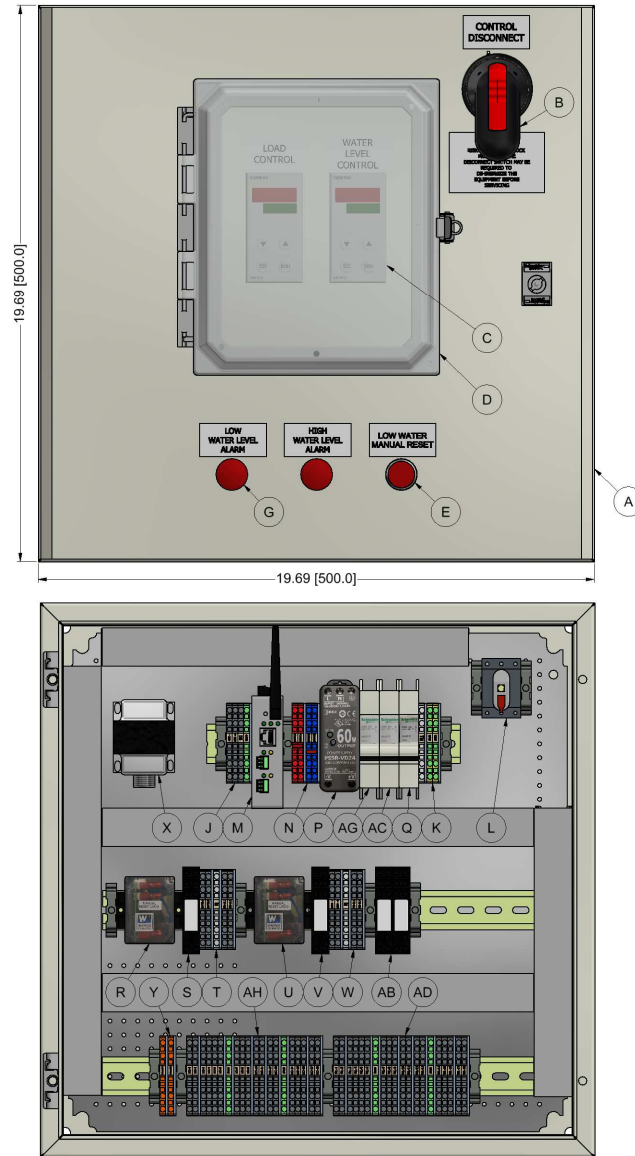
16"x16" Enclosure used with (0-1) options

20"x20" Enclosure used with (2-4) options

Dimensions and Layout (continued)

Dimensions in inches; millimeters in brackets

Combination, Two Processes



TS-R5LWX-1YB-4YX3

Options for Kit in Enclosure	BMS Comm Other than Modbus RS485 (M, N, P, Q)	Manual Reset Warrick Relay (E, R, S, T)	Automatic Reset Warrick Relay (U, V, W)	SKB/C/D Power Transformer (X, Y)
TS-R5LWX-xYB-xYXx	X			
TS-R5LWX-xYx-xYX1		X		
TS-R5LWX-xYx-xYX2			X	
TS-R5LWX-1Yx-xYXx				X

Notes:

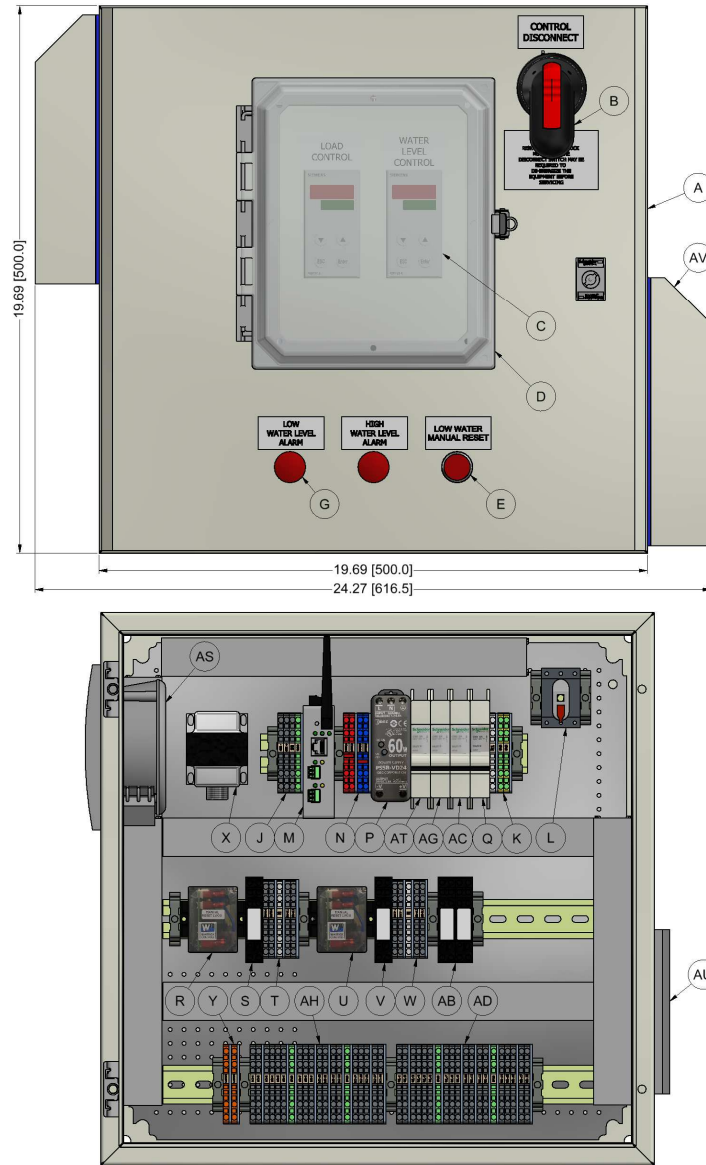
16" x 16" Enclosure used with (0-1) options

20" x 20" Enclosure used with (2-4) options

Dimensions and Layout (continued)

Dimensions in inches; millimeters in brackets

Combination, Two Processes with Cooling Fan



TS-R5LWX-1YB-2YY3

Options for Kit in Enclosure	BMS Comm Other than Modbus RS485 (M, N, P, Q)	Manual Reset Warrick Relay (E, R, S, T)	Automatic Reset Warrick Relay (U, V, W)	SKB/C/D Power Transformer (X, Y)
TS-R5LWX-xYB-xYYx	X			
TS-R5LWX-xYx-xYY1		X		
TS-R5LWX-xYx-xYY2			X	
TS-R5LWX-1Yx-xYYx				X

Notes:

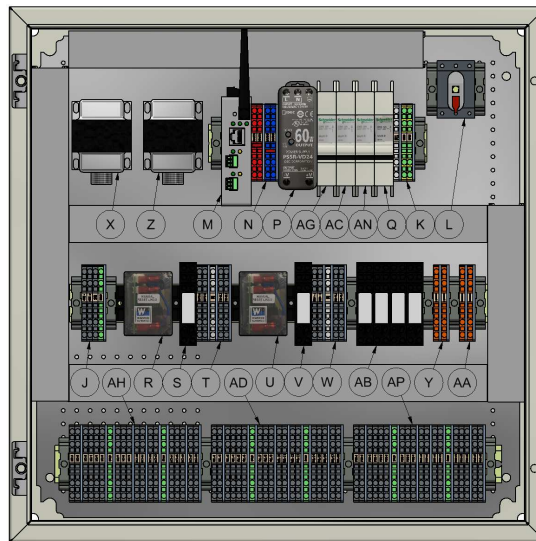
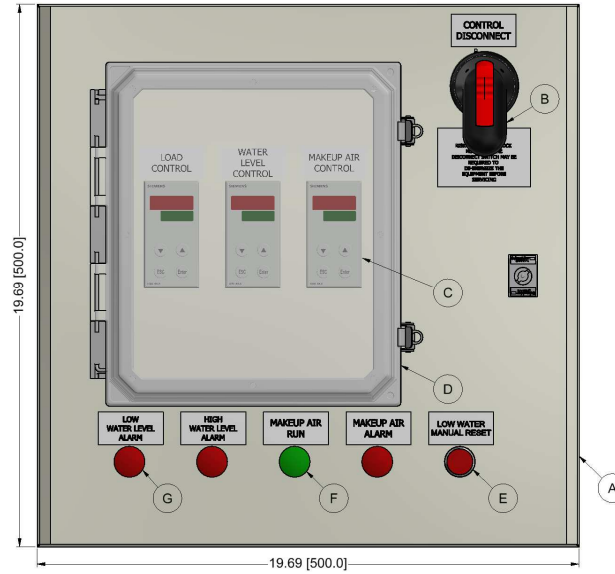
16"x16" Enclosure used with (0-1) options

20"x20" Enclosure used with (2-4) options

Dimensions and Layout (continued)

Dimensions in inches; millimeters in brackets

Combination, Three Processes



TS-R5LWM-2YB-4YX3

Options for Kit in Enclosure	BMS Comm Other than Modbus RS485 (M, N, P, Q)	Manual Reset Warrick Relay (E, R, S, T)	Automatic Reset Warrick Relay (U, V, W)	SKB/C/D Power Transformer (X, Y)	(2) SKB/C/D Power Transformers (Z, AA)
TS-R5LWM-xXB-xYXx	X				
TS-R5LWM-xXx-xYX1		X			
TS-R5LWM-xXx-xYX2			X		
TS-R5LWM-1Xx-xYXx				X	
TS-R5LWM-2Xx-xYXx					X

Notes:

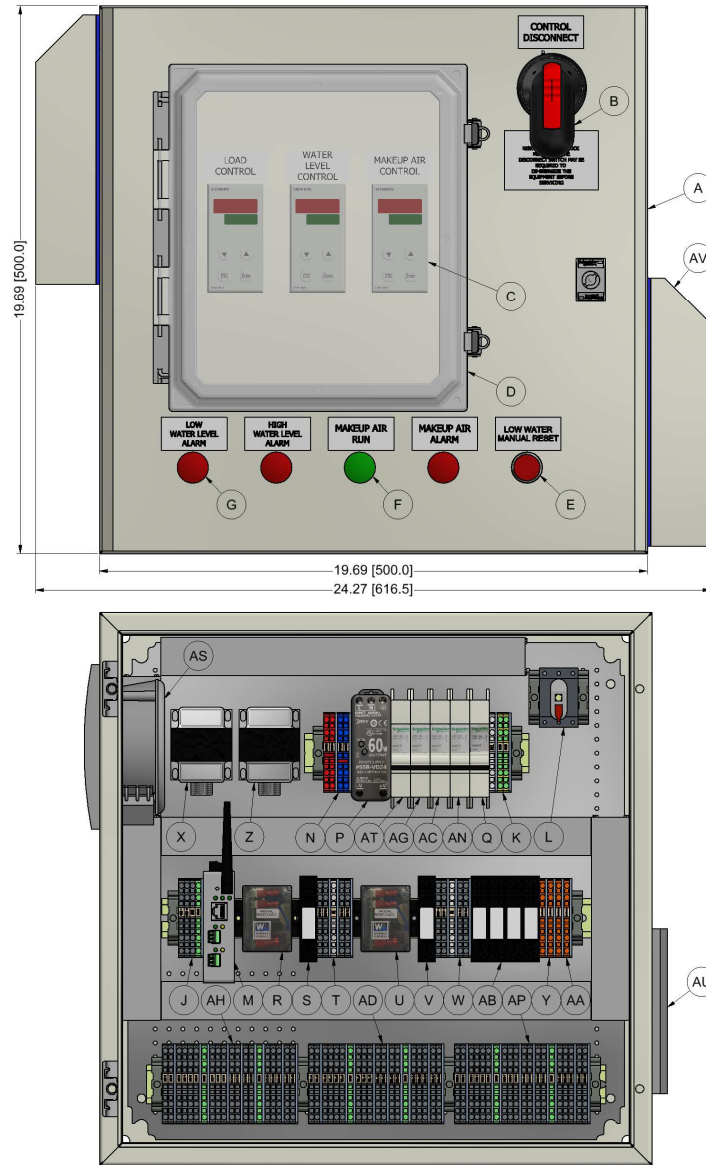
16" x 16" Enclosure used with NEMA1 and (0) options

20" x 20" Enclosure used with NEMA1 and (1-5) options or NEMA4/12 and (0-5) options

Dimensions and Layout (continued)

Dimensions in inches; millimeters in brackets

Combination, Three Processes with Cooling Fan



TS-R5LWM-2YB-2YY3

Options for Kit in Enclosure	BMS Comm Other than Modbus RS485 (M, N, P, Q)	Manual Reset Warrick Relay (E, R, S, T)	Automatic Reset Warrick Relay (U, V, W)	SKB/C/D Power Transformer (X, Y)	(2) SKB/C/D Power Transformers (Z, AA)
TS-R5LWM-xYB-xYYx	X				
TS-R5LWM-xYx-xYY1		X			
TS-R5LWM-xYx-xYY2			X		
TS-R5LWM-1Yx-xYYx				X	
TS-R5LWM-2Yx-xYYx					X

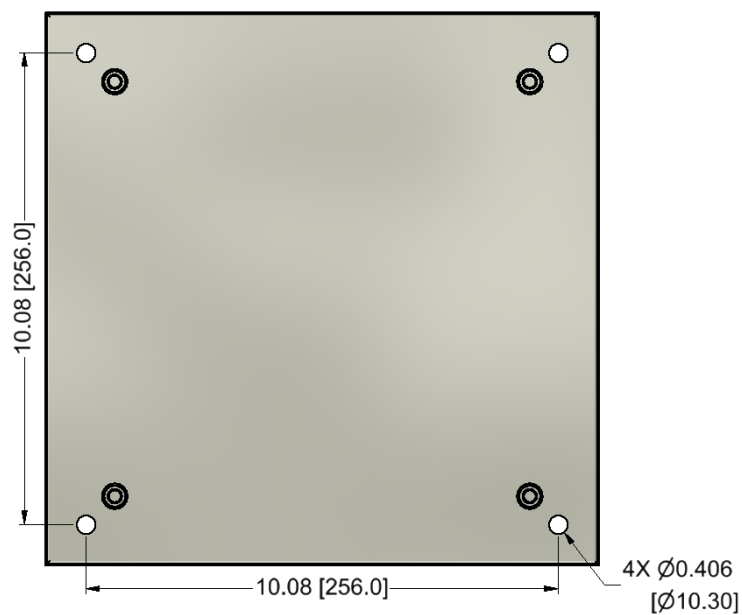
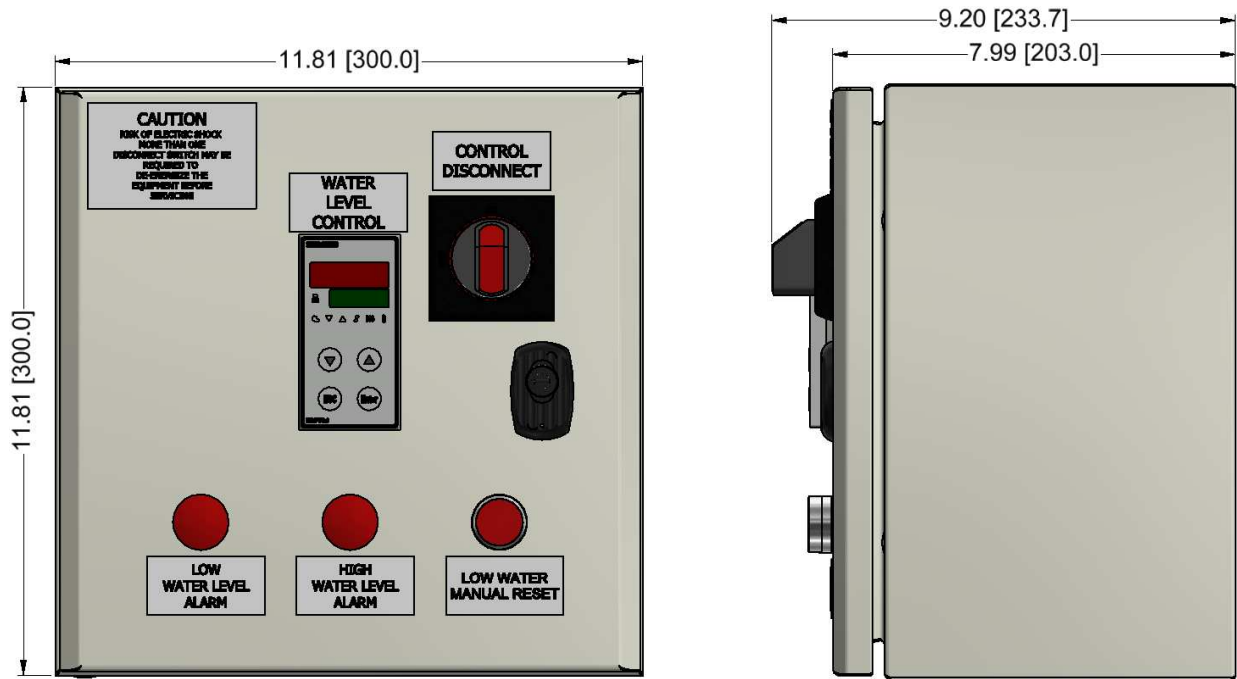
Notes:

20"x20" Enclosure used with (0-5) options

Dimensions and Layout (continued)

Dimensions in inches; millimeters in brackets

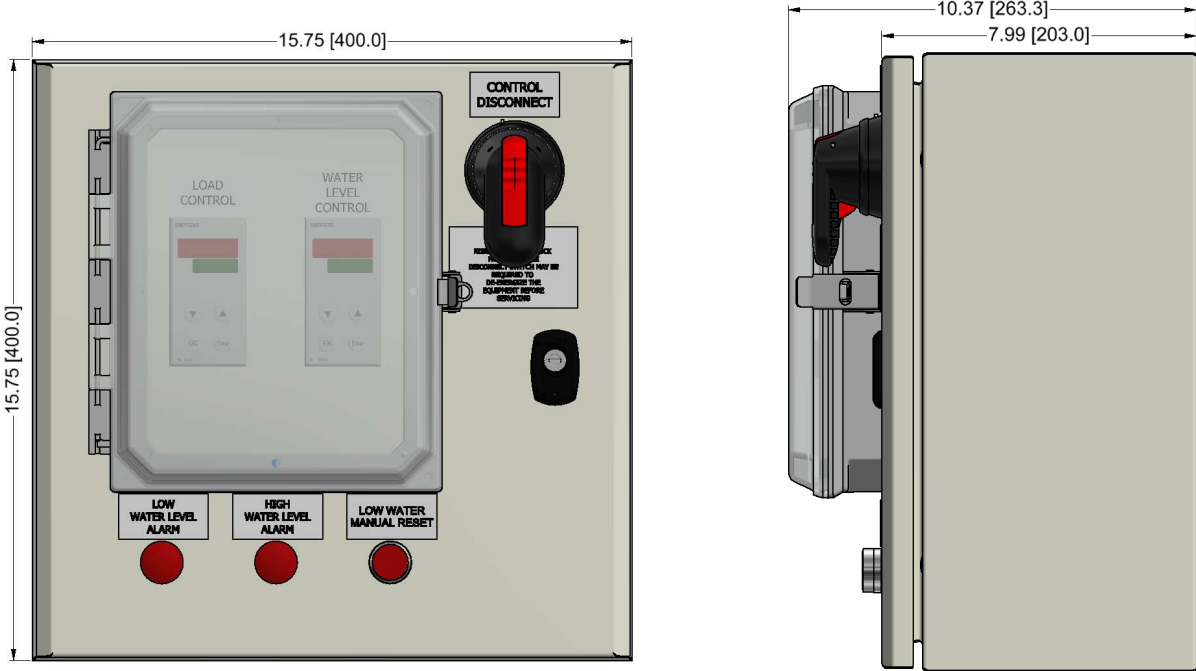
12" X 12" X 8" Enclosure Dimensions



Dimensions and Layout (continued)

Dimensions in inches; millimeters in brackets

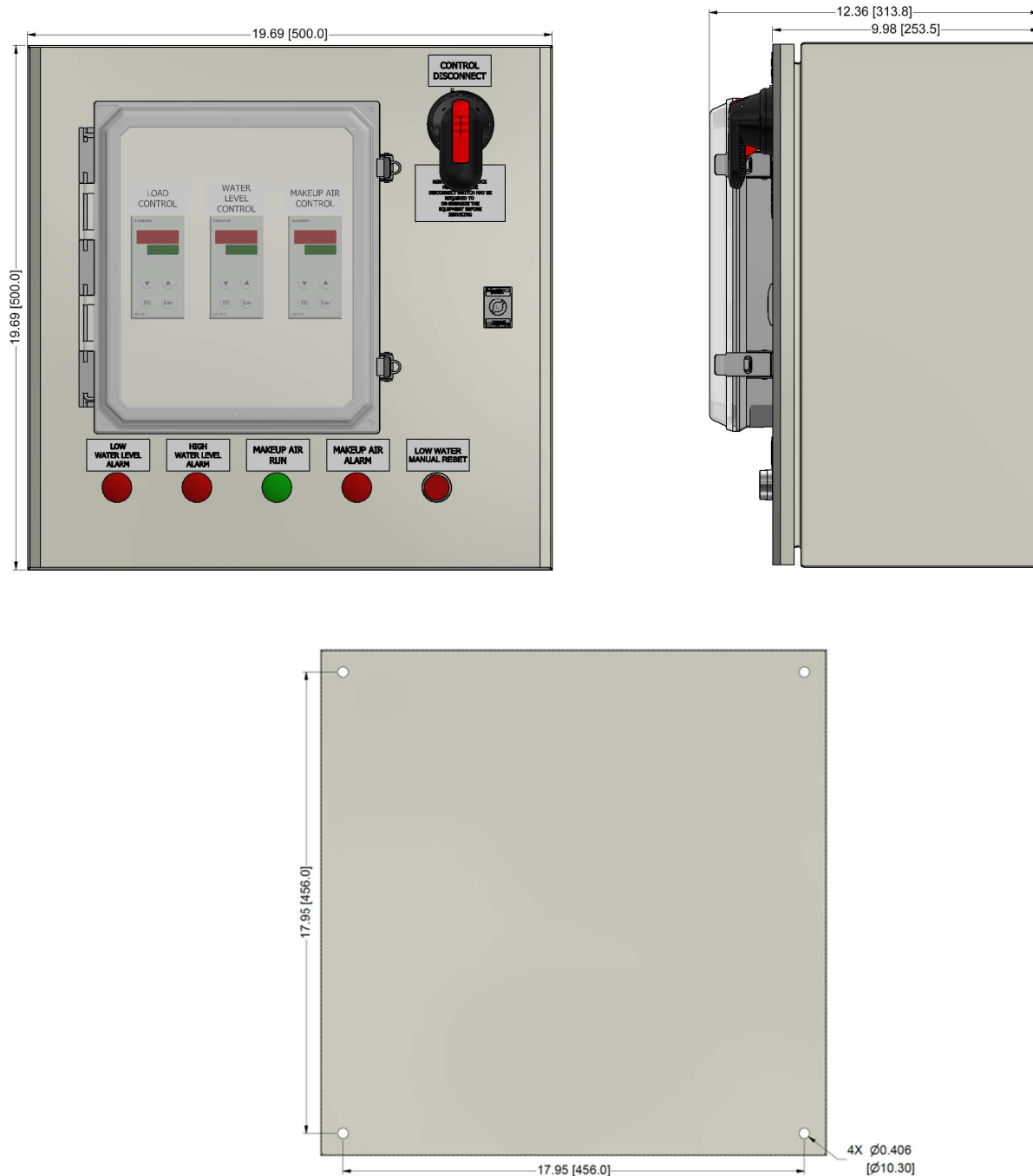
16" X 16" X 8" Enclosure Dimensions



Dimensions and Layout (continued)

Dimensions in inches; millimeters in brackets

20" X 20" X 10" Enclosure Dimensions



Information in this publication is based on current specifications. The company reserves the right to make changes in specifications and models as design improvements are introduced. Product or company names mentioned herein may be the trademarks of their respective owners. © 2021 SCC Inc.