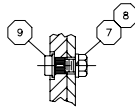
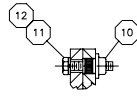




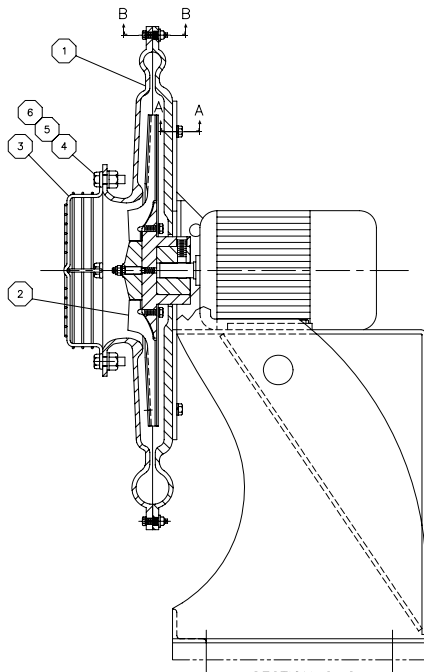
**TURBO BLOWER
TBA50 SERIES – DIRECT DRIVE
METRIC MOTOR**



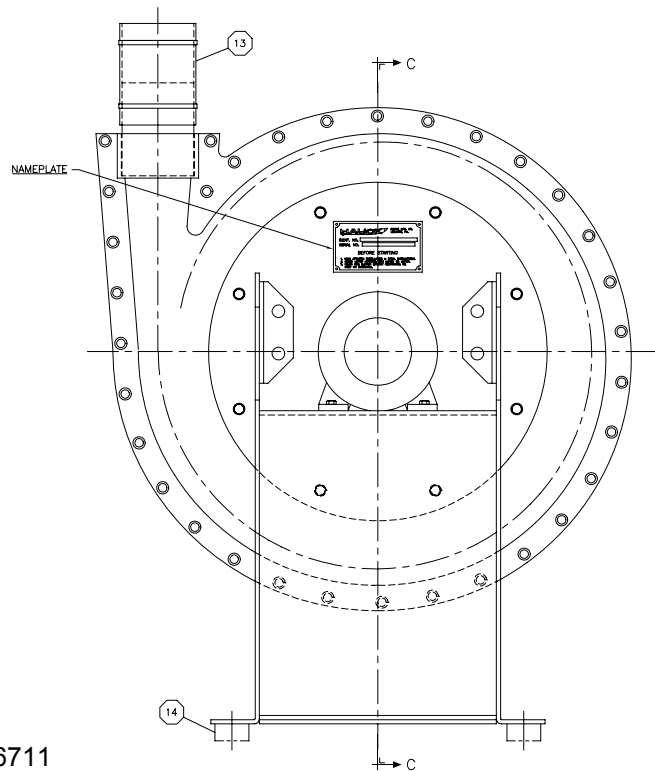
SECTION A-A



SECTION B-B



SECTION C-C



CY6711

| Key No. | Description | |
|---------|---------------------------------------|---------|
| 1 | Casing Assembly (2 pcs, Front & Rear) | |
| 2+ | Impeller | |
| 3 | Intake Guard | |
| 4 | Screw, Intake Guard | 4 Req'd |
| 5 | Washer, Intake Guard | 4 Req'd |
| 6 | Nut, Intake Guard | 4 Req'd |
| 7 | Screw, Casing Mounting | 8 Req'd |

| Key No. | Description | |
|---------|--------------------------|---------|
| 8 | Washer, Casing Mounting | 8 Req'd |
| 9 | Nut, Casing Mounting | 8 Req'd |
| 10 | Nut, Casing Flange | * |
| 11 | Screw, Casing Flange | * |
| 12 | Washer, Casing Flange | * |
| 13+ | Flexible Sleeve & Clamps | 1 Req'd |
| 14 | Cork Pad | 2 Req'd |

* Quantity Varies Depending On Model

+ Recommended Spare Parts

Note: When ordering parts, always give model and serial number found on the nameplate. (See drawing for location.)

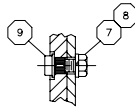
| | Casing (Key No. 1) | | Impeller (Key No. 2) | | Intake Guard (Key No.3) | Sleeve (Key No. 13) | Clamp (Key No. 13) | Cork Pads (Key No. 14) |
|-------------|--------------------|-------|----------------------|-------|----------------------------|------------------------|-----------------------|---------------------------|
| | CW | CCW | CW | CCW | | | | |
| TBA 500-1.5 | 19405 | 19415 | 38276 | 38304 | 19576 | 19699 | 35144x004 | 19392 |
| 500-2.2 | 19404 | 19414 | 38276 | 38304 | 19576 | 19700 | 35144x006 | 19392 |
| 500-3 | 19403 | 19413 | 38277 | 38305 | 18696 | 19701 | 35144x008 | 19392 |
| 500-4 | 19403 | 19413 | 38278 | 38306 | 18696 | 19701 | 35144x008 | 19392 |
| 500-5.5 | 19402 | 19412 | 38293 | 38307 | 18640 | 19702 | 35144x010 | 19392 |
| 500-7.5 | 19402 | 19412 | 38279 | 38308 | 18640 | 19702 | 35144x010 | 19392 |
| 500-11 | 19402 | 19412 | 38280 | 38309 | 18640 | 19702 | 35144x010 | 19393 |
| 500-15 | 19401 | 19411 | 38281 | 38310 | 18695 | 19703 | 35144x012 | 19393 |
| 500-18.5 | 35264 | --- | 38294 | --- | 18695 | 19979 | 35144x014 | 19393 |
| TBA 700-3 | 19400 | 19410 | 38282 | 38311 | 18696 | 19700 | 35144x006 | 19392 |
| 700-4 | 19400 | 19410 | 38282 | 38311 | 18696 | 19700 | 35144x006 | 19392 |
| 700-5.5 | 19399 | 19409 | 38283 | 38312 | 18640 | 19701 | 35144x008 | 19393 |
| 700-7.5 | 19398 | 19408 | 38284 | 38313 | 18640 | 19702 | 35144x010 | 19393 |
| 700-11 | 19398 | 19408 | 38285 | 38314 | 18640 | 19702 | 35144x010 | 19393 |
| 700-15 | 19397 | 19407 | 38286 | 38315 | 18640 | 19702 | 35144x010 | 19393 |
| 700-18.5 | 19397 | 19407 | 38278 | 38316 | 18640 | 19702 | 35144x010 | 19393 |
| 700-22 | 19396 | 19406 | 38288 | 38317 | 18695 | 19703 | 35144x012 | 19391 |
| 700-30 | 19396 | 19406 | 38397 | 38398 | 18695 | 19703 | 35144x012 | 19391 |
| TBA 900-3 | 44084 | 44085 | 39065 | 39074 | 19576 | 19699 | 35144x004 | 39126x001 |
| 900-4 | 44084 | 44085 | 39065 | 39074 | 19576 | 19699 | 35144x004 | 39126x001 |
| 900-5.5 | 44084 | 44085 | 39066 | 39075 | 19576 | 19699 | 35144x004 | 39126x001 |
| 900-7.5 | 44086 | 44087 | 39067 | 39076 | 19576 | 19701 | 35144x008 | 39126x002 |
| 900-11 | 44086 | 44087 | 39068 | 39077 | 19576 | 19701 | 35144x008 | 39126x002 |
| 900-15 | 44088 | 44089 | 39089 | 39093 | 18696 | 19702 | 35144x010 | 39126x002 |
| 900-18.5 | 44088 | 44089 | 39090 | 39094 | 18696 | 19702 | 35144x010 | 39126x002 |
| 900-22 | 44090 | 44091 | 39168 | 39172 | 18640 | 19703 | 35144x012 | 39126x003 |
| 900-30 | 44090 | 44091 | 39169 | 39173 | 18640 | 19703 | 35144x012 | 39126x003 |
| TBA 1100-4 | 44084 | 44085 | 39069 | 39078 | 19576 | 19699 | 35144x004 | 39126x001 |
| 1100-5.5 | 44084 | 44085 | 39070 | 39079 | 19576 | 19699 | 35144x004 | 39126x001 |
| 1100-7.5 | 44084 | 44085 | 39071 | 39080 | 19576 | 19699 | 35144x004 | 39126x001 |
| 1100-11 | 44086 | 44087 | 39072 | 39081 | 19576 | 19701 | 35144x008 | 39126x002 |
| 1100-15 | 44086 | 44087 | 39073 | 39082 | 19576 | 19701 | 35144x008 | 39126x002 |
| 1100-18.5 | 44088 | 44089 | 39091 | 39095 | 18696 | 19702 | 35144x010 | 39126x002 |
| 1100-22 | 44088 | 44089 | 39092 | 39096 | 18696 | 19702 | 35144x010 | 39126x002 |
| 1100-30 | 44090 | 44091 | 39102 | 39103 | 18640 | 19703 | 35144x012 | 39126x003 |
| 1100-37 | 44090 | 44091 | 39170 | 39174 | 18640 | 19703 | 35144x012 | 39126x003 |
| 1100-45 | 44090 | 44091 | 39171 | 39175 | 18640 | 19703 | 35144x012 | 39126x003 |

The Following Parts Are Common To All Blowers:

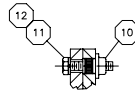
| Key No. | Description | Part No. |
|---------|-------------------------|----------------------------------|
| 4 | Screw, Intake Guard | 7239x012 |
| 5 | Washer, Intake Guard | 7253 |
| 6 | Nut, Intake Guard | 7240 |
| 7‡ | Screw, Casing Housing | 7243x008 7243x010 7243x012 |
| 8 | Washer, Casing Mounting | 7077 |
| 9 | Nut, Casing Mounting | 15318 |
| 10 | Nut, Casing Flange | 19664 |
| 11‡ | Screw, Casing Flange | 7254x010 7254x012 7254x014 |
| 12 | Washer, Casing Flange | 7070 |

‡ Screw length may vary depending upon blower casing thickness.

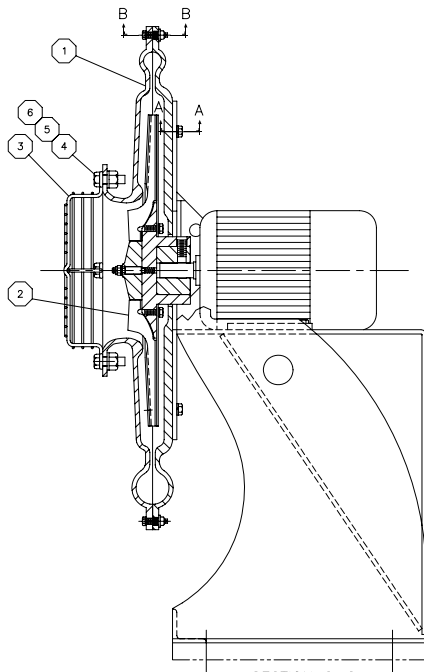
**TURBO BLOWER
TBA50 SERIES – DIRECT DRIVE
RERATED MOTOR**



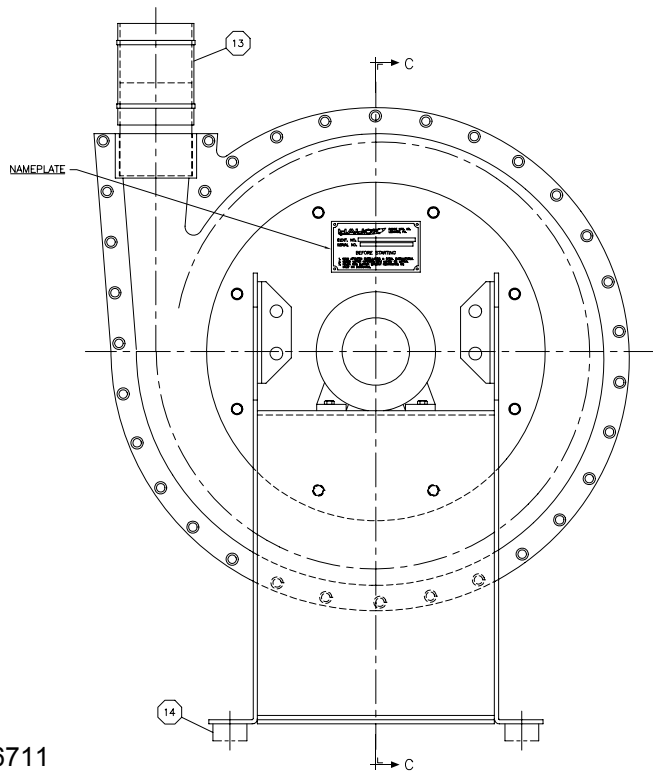
SECTION A-A



SECTION B-B



SECTION C-C



CY6711

| Key No. | Description | |
|---------|---------------------------------------|---------|
| 1 | Casing Assembly (2 pcs, Front & Rear) | |
| 2+ | Impeller | |
| 3 | Intake Guard | |
| 4 | Screw, Intake Guard | 4 Req'd |
| 5 | Washer, Intake Guard | 4 Req'd |
| 6 | Nut, Intake Guard | 4 Req'd |
| 7 | Screw, Casing Mounting | 8 Req'd |

| Key No. | Description | |
|---------|--------------------------|---------|
| 8 | Washer, Casing Mounting | 8 Req'd |
| 9 | Nut, Casing Mounting | 8 Req'd |
| 10 | Nut, Casing Flange | * |
| 11 | Screw, Casing Flange | * |
| 12 | Washer, Casing Flange | * |
| 13+ | Flexible Sleeve & Clamps | 1 Req'd |
| 14 | Cork Pad | 2 Req'd |

* Quantity Varies Depending On Model

+ Recommended Spare Parts

Note: When ordering parts, always give model and serial number found on the nameplate. (See drawing for location.)

| | Casing (Key No. 1) | | Impeller (Key No. 2) | | | | Intake Guard (Key No. 3) | Sleeve (Key No. 13) | Clamp (Key No. 13) | Cork Pads (Key No. 14) |
|-------------|--------------------|-------|----------------------|-------|-------|-------|-----------------------------|------------------------|-----------------------|---------------------------|
| | CW | CCW | ODP | | TEFC | | | | | |
| | | | CW | CCW | CW | CCW | | | | |
| TBA 500-1.5 | 19405 | 19415 | 39349 | 39361 | 18614 | 18951 | 19576 | 19699 | 35144x004 | 19392 |
| 500-2.2 | 19404 | 19414 | 18614 | 18951 | 18614 | 18951 | 19576 | 19700 | 35144x006 | 19392 |
| 500-3 | 19403 | 19413 | 39352 | 39364 | 39353 | 39365 | 18696 | 19701 | 35144x008 | 19392 |
| 500-4 | 19403 | 19413 | 18616 | 18953 | 18616 | 18953 | 18696 | 19701 | 35144x008 | 19392 |
| 500-5.5 | 19402 | 19412 | 39355 | 39367 | 39355 | 39367 | 18640 | 19702 | 35144x010 | 19392 |
| 500-7.5 | 19402 | 19412 | 39356 | 39368 | 39357 | 39369 | 18640 | 19702 | 35144x010 | 19393 |
| 500-11 | 19402 | 19412 | 39358 | 39370 | 39358 | 39370 | 18640 | 19702 | 35144x010 | 19393 |
| 500-15 | 19401 | 19411 | 18620 | 30129 | 18620 | 30129 | 18695 | 19703 | 35144x012 | 19393 |
| 500-18.5 | 35264 | --- | 35268 | --- | 35268 | --- | 18695 | 19979 | 35144x014 | 19393 |
| TBA 700-3 | 19400 | 19410 | 18630 | 19501 | 19922 | 30134 | 18696 | 19700 | 35144x006 | 19392 |
| 700-4 | 19400 | 19410 | 19922 | 30134 | 19922 | 30134 | 18696 | 19700 | 35144x006 | 19392 |
| 700-5.5 | 19399 | 19409 | 39385 | 39396 | 39385 | 39396 | 18640 | 19701 | 35144x008 | 19393 |
| 700-7.5 | 19398 | 19408 | 39386 | 39397 | 39387 | 39398 | 18640 | 19702 | 35144x010 | 19393 |
| 700-11 | 19398 | 19408 | 18633 | 18966 | 18633 | 18966 | 18640 | 19702 | 35144x010 | 19393 |
| 700-15 | 19397 | 19407 | 39390 | 39401 | 39390 | 39401 | 18640 | 19702 | 35144x010 | 19393 |
| 700-18.5 | 19397 | 19407 | 39391 | 39402 | 39391 | 39402 | 18640 | 19702 | 35144x010 | 19393 |
| 700-22 | 19396 | 19406 | 39392 | 39403 | 39393 | 39404 | 18695 | 19703 | 35144x012 | 19391 |
| 700-30 | 19396 | 19406 | 18638 | 18971 | 18638 | 18971 | 18695 | 19703 | 35144x012 | 19391 |
| TBA 900-3 | 44084 | 44085 | 39411 | 39433 | 39434 | 39421 | 19576 | 19699 | 35144x004 | 39126x001 |
| 900-4 | 44084 | 44085 | 39434 | 39421 | 39434 | 39421 | 19576 | 19699 | 35144x004 | 39126x001 |
| 900-5.5 | 44084 | 44085 | 39412 | 39422 | 39412 | 39422 | 19576 | 19699 | 35144x004 | 39126x001 |
| 900-7.5 | 44086 | 44087 | 39434 | 39421 | 39414 | 39424 | 19576 | 19701 | 35144x008 | 39126x002 |
| 900-11 | 44086 | 44087 | 39415 | 39425 | 39415 | 39425 | 19576 | 19701 | 35144x008 | 39126x002 |
| 900-15 | 44088 | 44089 | 39416 | 39426 | 39416 | 39426 | 18696 | 19702 | 35144x010 | 39126x002 |
| 900-18.5 | 44088 | 44089 | 39417 | 39427 | 39417 | 39427 | 18696 | 19702 | 35144x010 | 39126x002 |
| 900-22 | 44090 | 44091 | 39418 | 39428 | 39419 | 39429 | 18640 | 19703 | 35144x012 | 39126x003 |
| 900-30 | 44090 | 44091 | 39420 | 39430 | 39420 | 39430 | 18640 | 19703 | 35144x012 | 39126x003 |
| TBA 1100-4 | 44084 | 44085 | 39443 | 39454 | 39443 | 39454 | 19576 | 19699 | 35144x004 | 39126x001 |
| 1100-5.5 | 44084 | 44085 | 39443 | 39454 | 39443 | 39454 | 19576 | 19699 | 35144x004 | 39126x001 |
| 1100-7.5 | 44084 | 44085 | 39444 | 39455 | 39445 | 39456 | 19576 | 19699 | 35144x004 | 39126x001 |
| 1100-11 | 44086 | 44087 | 39446 | 39457 | 39446 | 39457 | 19576 | 19701 | 35144x008 | 39126x002 |
| 1100-15 | 44086 | 44087 | 39447 | 39458 | 39447 | 39458 | 19576 | 19701 | 35144x008 | 39126x002 |
| 1100-18.5 | 44088 | 44089 | 39448 | 39459 | 39448 | 39459 | 18696 | 19702 | 35144x010 | 39126x002 |
| 1100-22 | 44088 | 44089 | 39449 | 39460 | 39450 | 39461 | 18696 | 19702 | 35144x010 | 39126x002 |
| 1100-30 | 44090 | 44091 | 39451 | 39462 | 39451 | 39462 | 18640 | 19703 | 35144x012 | 39126x003 |
| 1100-37 | 44090 | 44091 | 39452 | 39463 | 39452 | 39463 | 18640 | 19703 | 35144x012 | 39126x003 |
| 1100-45 | 44090 | 44091 | 39453 | 39464 | 39453 | 39464 | 18640 | 19703 | 35144x012 | 39126x003 |

The Following Parts Are Common To All Blowers:

| Key No. | Description | Part No. |
|---------|-------------------------|----------------------------------|
| 4 | Screw, Intake Guard | 7239x012 |
| 5 | Washer, Intake Guard | 7253 |
| 6 | Nut, Intake Guard | 7240 |
| 7‡ | Screw, Casing Housing | 7243x008 7243x010 7243x012 |
| 8 | Washer, Casing Mounting | 7077 |
| 9 | Nut, Casing Mounting | 15318 |
| 10 | Nut, Casing Flange | 19664 |
| 11‡ | Screw, Casing Flange | 7254x010 7254x012 7254x014 |
| 12 | Washer, Casing Flange | 7070 |

‡ Screw length may vary depending upon blower casing thickness.